



THE WORLD'S  
FAVOURITE  
INDIAN

# SPARE PARTS CATALOGUE



**BAJAJ RE DIESEL**

**BAJAJ MAXIMA Z DIESEL**

**BAJAJ MAXIMA XWIDE DIESEL**

**BAJAJ MAXIMA C DIESEL**

All information contained in this manual is based on the latest product information at the time of publication. Bajaj Auto Limited accepts no liability for any inaccuracies or omissions in this publication, although every possible care has been taken to make it as complete and accurate as possible. All procedures and specifications subject to change without prior notice. The right is reserved to make such changes at any time without prior notice and without incurring an obligation to make such changes to product manufactured previously. Contact your authorized Bajaj Dealer for the latest information on product improvements incorporated after this manual was issued.

DOC. NO.: 71112799

REV. 00, NOV. 2017

We have pleasure in presenting the Spare Parts Catalogue for **RE, BAJAJ MAXIMA Z, MAXIMA, MAXIMA WB & MAXIMA C DIESEL- BS6** Vehicles. This catalogue has been specially designed to assist you in selecting the correct parts to maintain your vehicle in best running condition.

The Bajaj spares are subjected to the stringent quality control standards to ensure longer life of the vehicle. It is therefore necessary that only the Genuine Bajaj Spares are used.

In a continual effort to improve performance and efficiency of the vehicle, Specifications, Diagrams, Illustrations and Part Numbers can change without notice. Consequently, the description in this Spare Parts Catalogue cannot therefore be final and binding on us.

The modifications/ alterations which are carried out after the issue of this catalogue, will be conveyed to you through our service circulars. You are requested to make necessary corrections in the parts catalogues as per the circulars so as to keep your catalogues up to date. This will ensure the appropriate and speedy delivery of the spare parts as the order placed will bear the latest part numbers.

For latest information of serviceable spares, refer catalogues on dealer portal.

In case, if you need any technical assistance contact the concerned Regional Office or write to us on the following address :

Service Department CV  
Bajaj Auto Ltd.  
Akurdi, Pune 411 035 India  
Phone : 020-66106104  
E-mail : [service@bajajauto.co.in](mailto:service@bajajauto.co.in)

## INSTRUCTIONS FOR USING THE CATALOGUE



1. How to Read the Catalogue : Open the catalogue and from the pictorial index locate the group in which the part you want to find is present. Turn over to the concerned page number (as given by pictorial index). Now find out the figure of the part you wish to order. Write down the part number against that particular figure number from the text.

In case, if you have the part number and you need the other details, the part index can be used. The part index (at the end of the catalogue) will give you the figure and page number of the part you wish to order.

2. How to Order Spare Parts : The part number and the description of the part required should be invariably mentioned in the order as per the catalogue text.

The latest part number as conveyed through our service circulars should only appear on the order. In case of ordering painted components, colour shade of the components should be mentioned.

The quantity shown against the part number is the quantity per vehicle for that group so that particular quantity should be multiplied by the number of sets required.

3. Part Number System : We have used 8 digit system for part numbers. The model or hardware item is indicated by first two digits or alphanumeric, the next two or four digits indicate main group and the last four or two digits indicate serial number in main group or serial number or subgroup of fastener respectively. Thus the part numbers will be indicated by 2-4-2 digit system. Understanding this system will enable you to identify the spare parts easily.

4. Abbreviations : The following abbreviations are used in this catalogue.

assly.	Assembly	C' case	Crankcase
Cyl	Cylinder	Comp.	Complete
alt.	Alternate	RR	Rear
RH	Right hand	Hex.	Hexagonal
LH	Left hand	FR	Front
NS	Not serviceable	bkt	Bracket
R	Regular	WB	Wider Body
LL	Kerala	Z	Maxima Z

5. Kit details given page no.107 to 112.

## INDEX



S.N.	Description	Page No.	S.N.	Description	Page No.
1	Engine, Cylinder Crankcase	1,2	44	Trailing arm RE & Z	53
2	Piston & Connecting Rod	3	45	Trailing arm-XWIDE & C	54
3	Cam shaft & Crankshaft	4	46	Rear Hub & Axle	55,56
4	Speed Control Levers	5	47	Front Hub & Shock Absorber- RE	57,58
5	Governor	6	48	Front Axle- Maxima	59,60
6	Cover Crankcase & weight balancer	7	49	Brake panel- RE & Z	61,62
7	Clutch	8	50	Brake panel- XWIDE & C	63,64
8	Clutch Shaft	9	51	Steering Column & Fork	65,66
9	Oil Pump	10	52	Fr. shock absorber- Maxima	67
10	Main Housing	11	53	Front Mudguard	68
11	Gear Box Cover	12	54	TMC & Brake Pedal	69,70
12	Gear Shifter	13	55	Brake Pipes	71
13	Main shaft	14	56	Parking brake- RE	72
14	Gear Transmission	15,16	57	Parking brake- Z	73
15	Differential Gear - RE	17	58	Parking brake- XWIDE & C	74
16	Differential Gear	18	59	Handle Bar Assembly	75,76
17	Differential Cover	19	60	Dashboard - RE & Z	77,78
18	Oil Cooler	20	61	Dashboard - XWIDE & C	79,80
19	Cylinder Head cover	21	62	Control Cables	81,82
20	Rocker Arm	22	63	Cabin assembly- C	83,84
21	Cylinder Head Cover	23,24	64	Windshield	85,86
22	Sensors	25	65	Chassis	87
23	Air Filter - RE	26	66	Chassis - XWIDE	88
24	EGR- RE	27,28	67	Body - RE	89,90
25	Air filter & EGR- Maxima	29,30	68	Body door - RE	91
26	Air Intake- Z	31	69	Body door - Z	92
27	Air Intake- XWIDE	32	70	Body - Z	93,94
28	Air Intake- C	33	71	Body - XWIDE	95,96
29	Fuel tank- RE	34	72	Body door - XWIDE	97
30	Fuel tank- Z	35	73	Tray - C	99,100
31	Fuel tank- XWIDE & C	36	74	Seat - RE	101
32	Injection Pump	37,38	75	Seat - Z	103,104
33	Silencer	39,40	76	Seat - XWIDE	105
34	Tank Coolant	41,42	77	Passenger Seat -XWIDE D+5	106
35	Alternator & Starter Motor	43	78	Hood Frame - RE	107
36	Battery	44	79	Hood Frame - XWIDE	108
37	Engine Mounting - RE	45	80	Hood Frame - Z	109,110
38	Engine Mounting - Z	46	81	Door assembly- Maxima C	111,112
39	Engine Mounting - XWIDE & C	47	82	Steering & Head lamp Cover	113
40	Propeller shaft- RE	48	83	Harness	114
38	CV Shaft- Maxima	49	84	Head Light & Indicator	115
42	Wheels	51	85	Tail Lamp	116
43	Rear Shock absorber	52	86	Electrical units	117,118
			87	Switches	119

# Pictorial Index



PLATE NO. : 1  
ENGINE, CYLINDER CRANKCASE

PAGE NO.:  
1,2

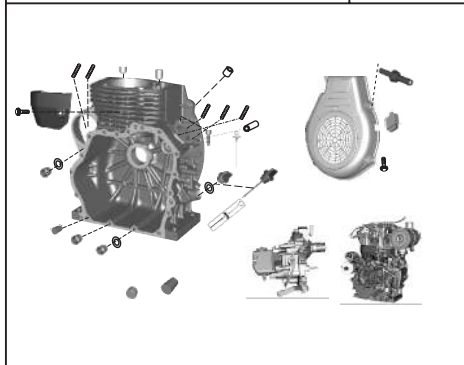


PLATE NO. : 3  
CRANKSHAFT & CAM SHAFT

PAGE NO.:  
4

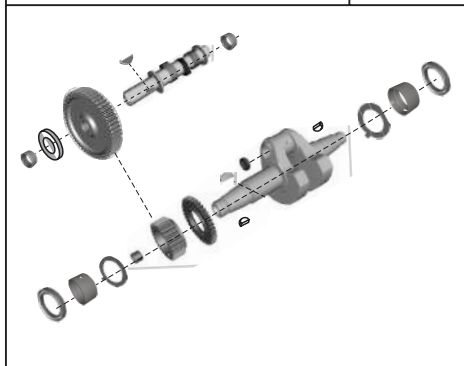


PLATE NO. : 5  
GOVERNOR

PAGE NO.:  
6

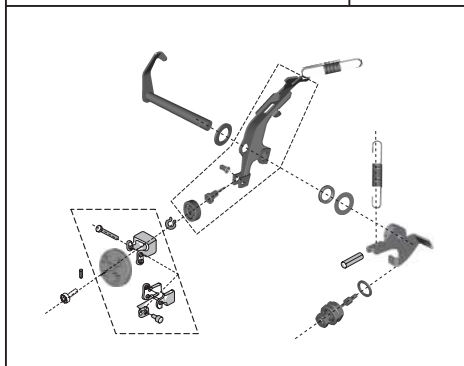


PLATE NO. : 2  
PISTON & CONNECTING ROD ASSLY

PAGE NO.:  
3

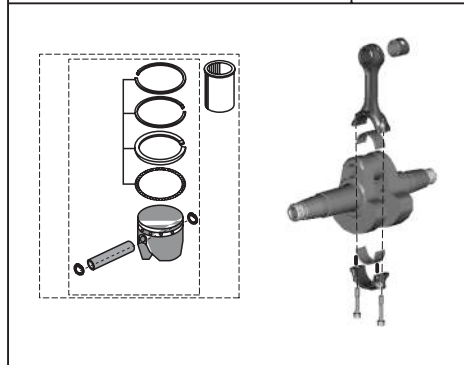


PLATE NO. : 4  
SPEED CONTROL LEVERS

PAGE NO.:  
5

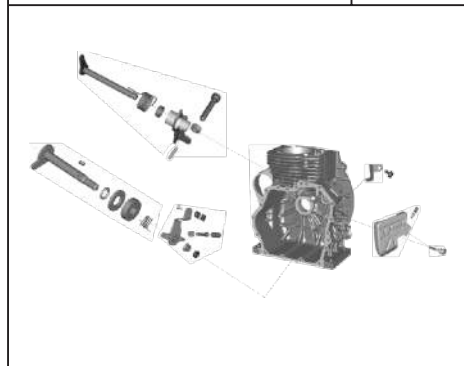
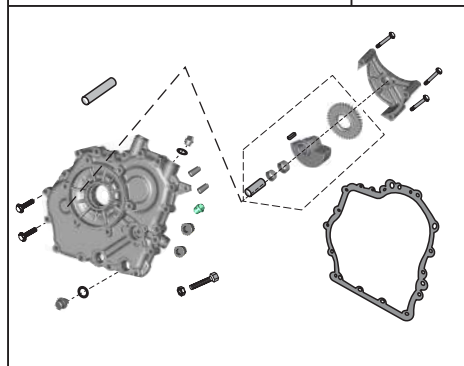


PLATE NO. : 6  
COVER CRANKCASE & WEIGHT BALANCER

PAGE NO.:  
7



# Pictorial Index



PLATE NO. : 7  
CLUTCH

PAGE NO.:  
8

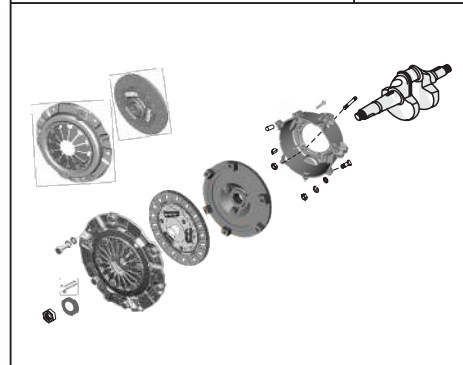


PLATE NO. : 9  
OIL PUMP

PAGE NO.:  
10

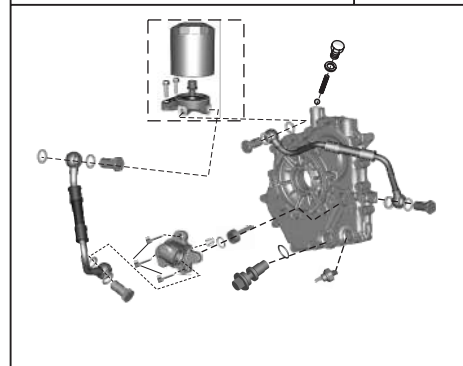


PLATE NO. : 11  
GEAR BOX COVER

PAGE NO.:  
12

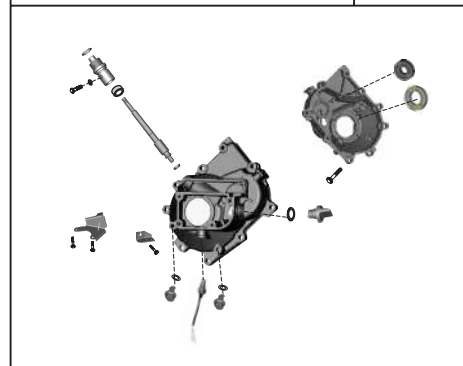


PLATE NO. : 8  
CLUTCH SHAFT

PAGE NO.:  
9

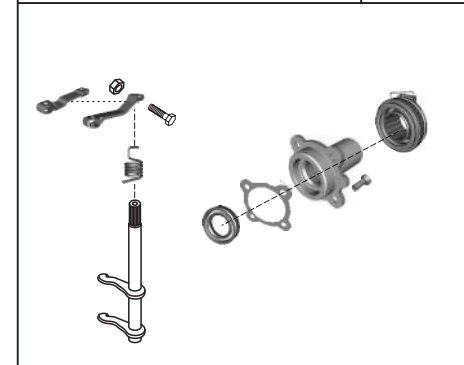


PLATE NO. : 10  
MAIN HOUSING

PAGE NO.:  
11

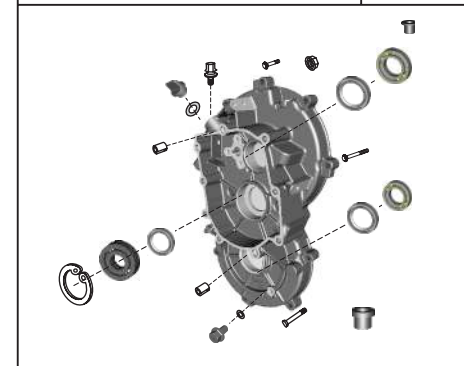
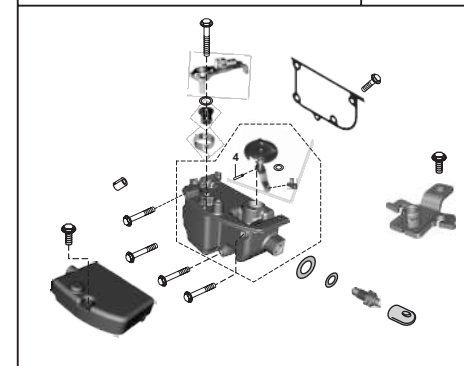


PLATE NO. : 12  
GEAR SHIFTER

PAGE NO.:  
13



# Pictorial Index



PLATE NO. : 13  
MAIN SHAFT

PAGE NO.:  
14

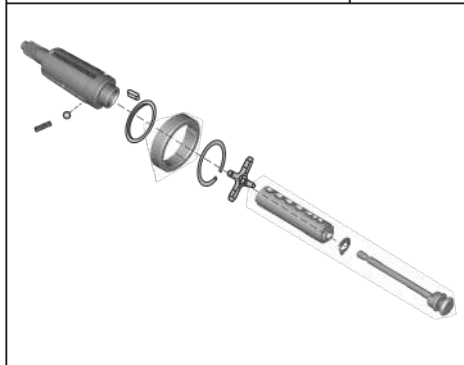


PLATE NO. : 15  
DIFFERENTIAL GEAR- RE

PAGE NO.:  
17

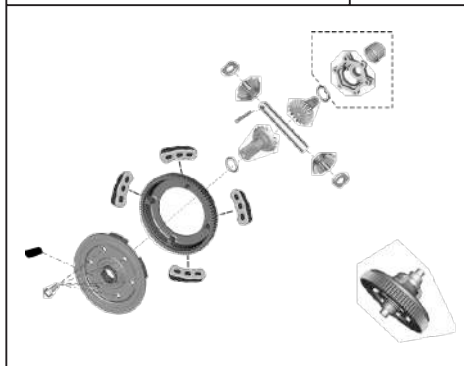


PLATE NO. : 17  
DIFFERENTIAL COVER

PAGE NO.:  
19

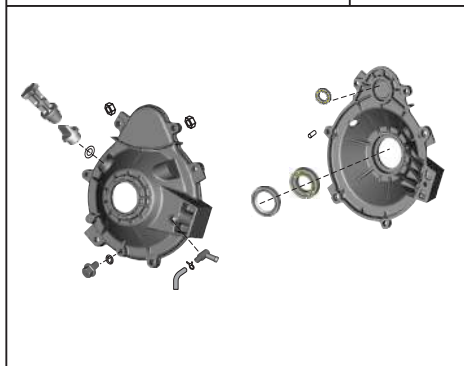


PLATE NO. : 14  
GEAR TRANSMISSION

PAGE NO.:  
15,16

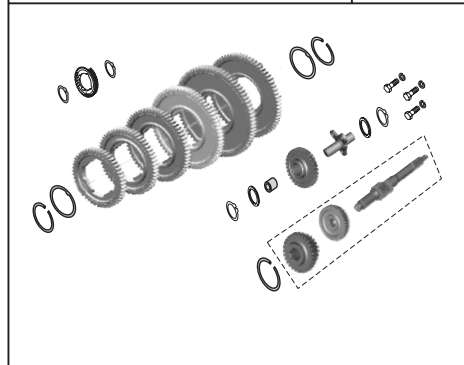


PLATE NO. : 16  
DIFFERENTIAL GEAR

PAGE NO.:  
18

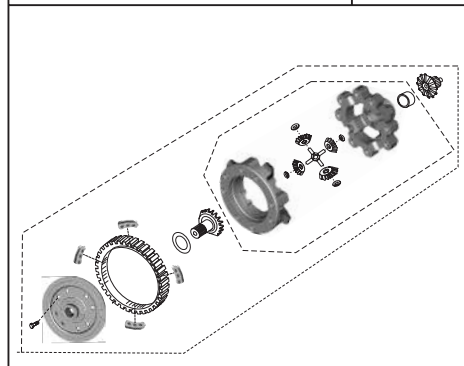
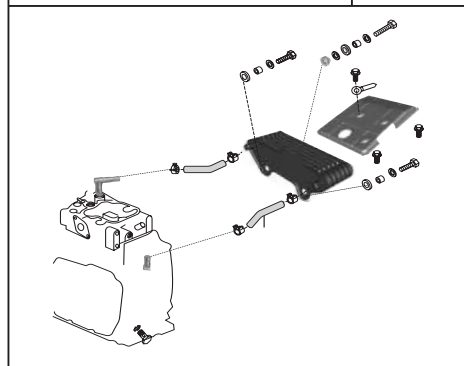


PLATE NO. : 18  
OIL COOLER

PAGE NO.:  
20



# Pictorial Index



PLATE NO. : 19  
CYLINDER HEAD COVER

PAGE NO.:  
21

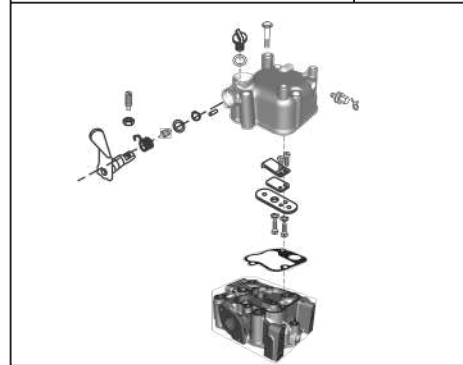


PLATE NO. : 21  
CYLINDER HEAD

PAGE NO.:  
23,24

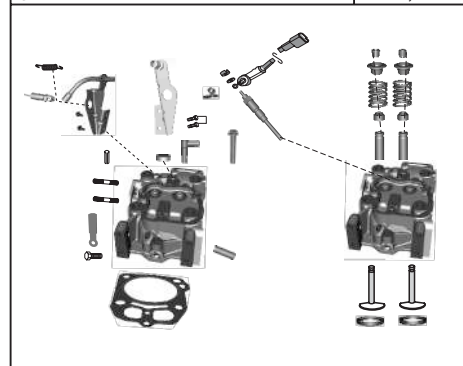


PLATE NO. : 23  
AIR FILTER - RE

PAGE NO.:  
26

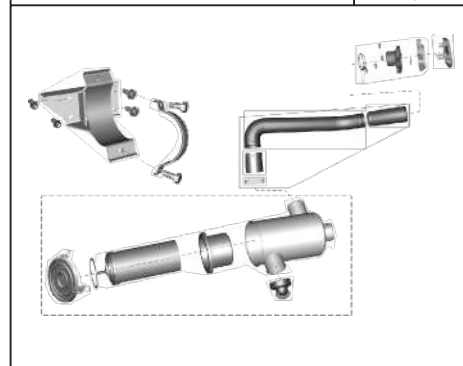


PLATE NO. : 20  
ROCKER ARM

PAGE NO.:  
22

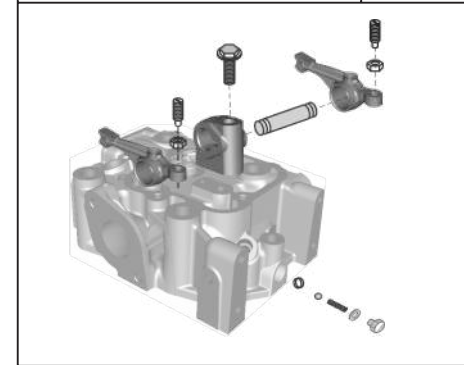


PLATE NO. : 22  
SENSOR

PAGE NO.:  
25

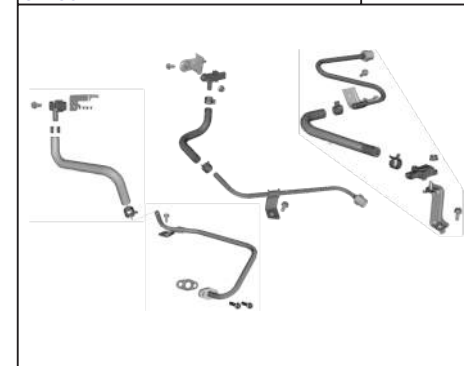
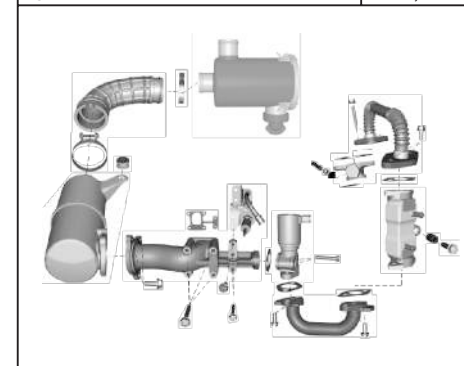


PLATE NO. : 24  
EGR- RE

PAGE NO.:  
27,28



# Pictorial Index



PLATE NO. : 25  
AIR FILTER & EGR- MAXIMA

PAGE NO.:  
29,30

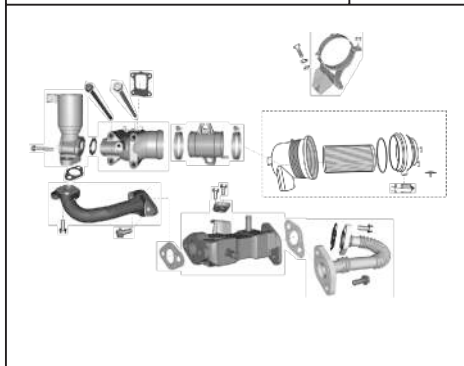


PLATE NO. : 27  
AIR INTAKE MAXIMA

PAGE NO.:  
32

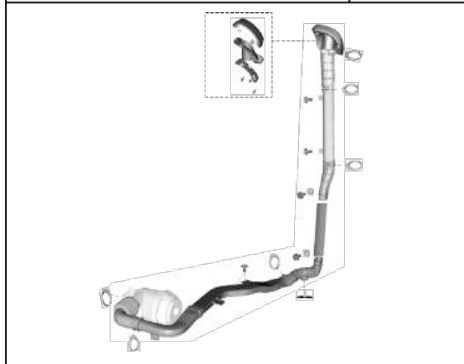


PLATE NO. : 29  
FUEL TANK- RE

PAGE NO.:  
34

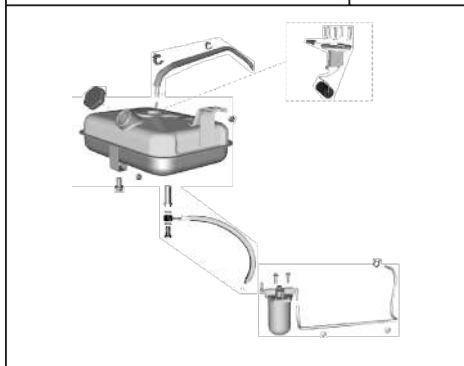


PLATE NO. : 26  
AIR INTAKE MAXIMA Z

PAGE NO.:  
31



PLATE NO. : 28  
AIR INTAKE- C

PAGE NO.:  
33

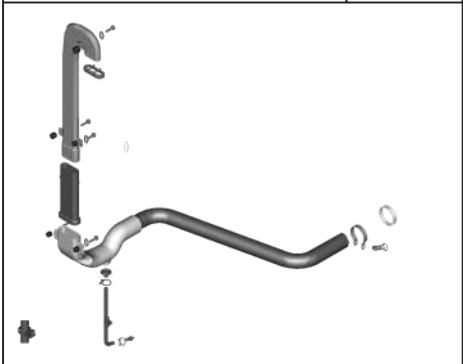
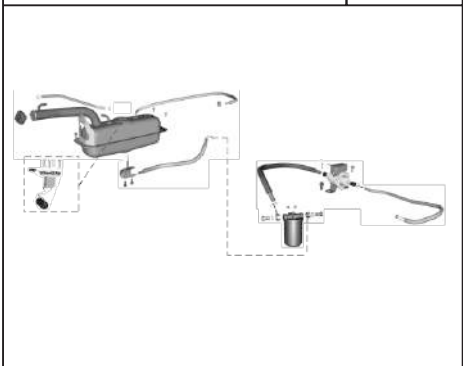


PLATE NO. : 30  
FUEL TANK- Z

PAGE NO.:  
35



# Pictorial Index



PLATE NO. : 31  
FUEL TANK

PAGE NO.:  
36

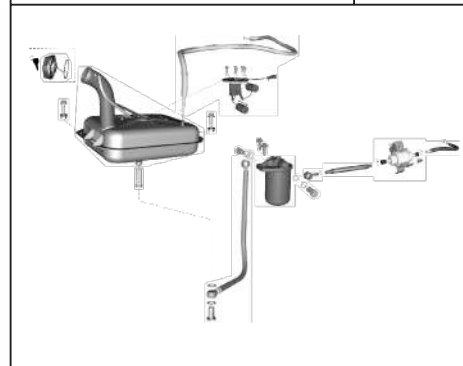


PLATE NO. : 33  
SILENCER

PAGE NO.:  
39,40

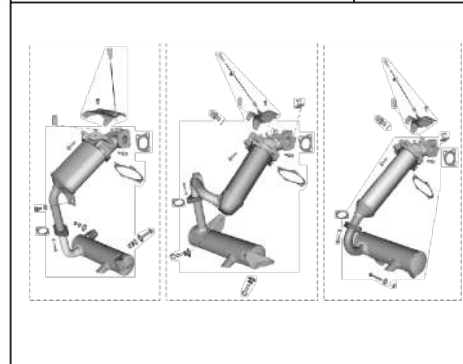


PLATE NO. : 35  
ALTERNATOR & STARTER MOTOR

PAGE NO.:  
43

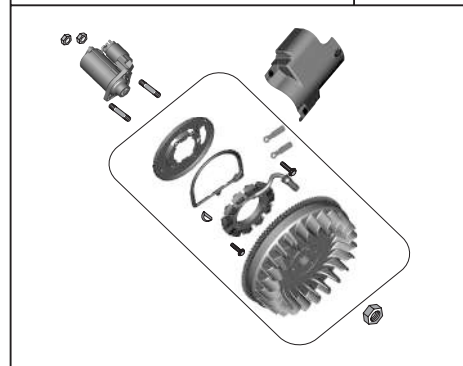


PLATE NO. : 32  
INJECTION PUMP & NOZZLE HOLDER

PAGE NO.:  
37

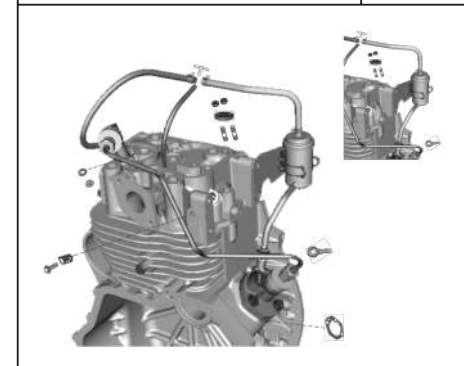


PLATE NO. : 34  
COOLANT TANK

PAGE NO.:  
41,42

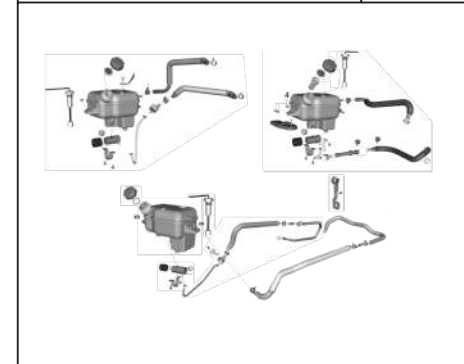
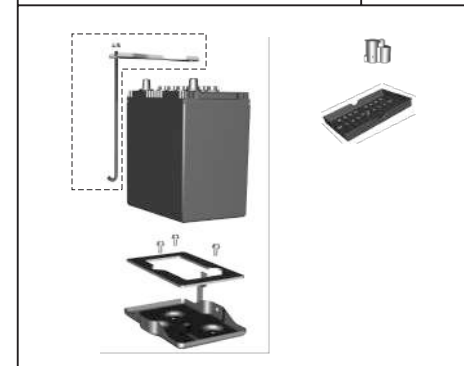


PLATE NO. : 36  
BATTERY

PAGE NO.:  
44



# Pictorial Index



PLATE NO. : 37 ENGINE MOUNTING - RE	PAGE NO.: 45
--	-----------------

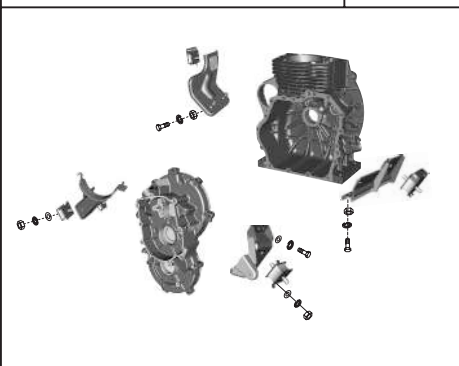


PLATE NO. : 39 ENGINE MOUNTING- MAXIMA	PAGE NO.: 47,48
---	--------------------

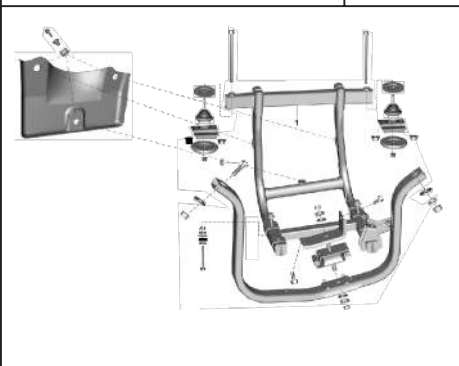


PLATE NO. : 41 DRIVE SHAFT CV	PAGE NO.: 50
----------------------------------	-----------------

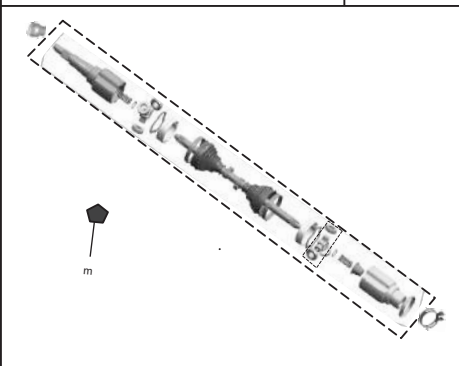


PLATE NO. : 38 ENGINE MOUNTING - Z	PAGE NO.: 46
---------------------------------------	-----------------

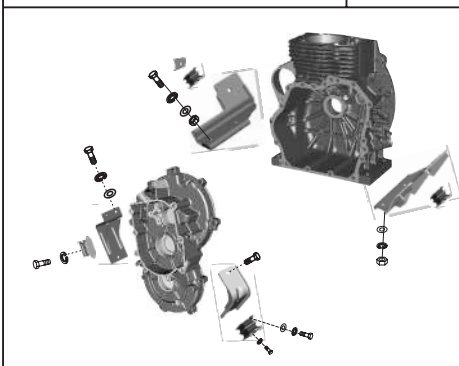


PLATE NO. : 40 PROPELLER SHAFT/FLANGES/	PAGE NO.: 49
--	-----------------

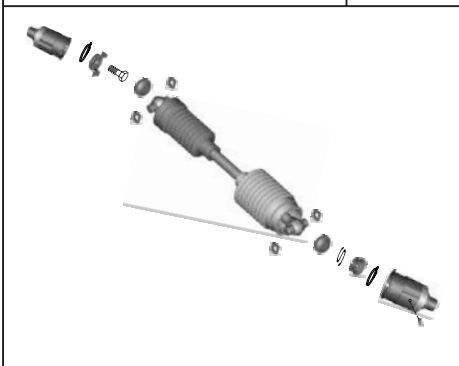
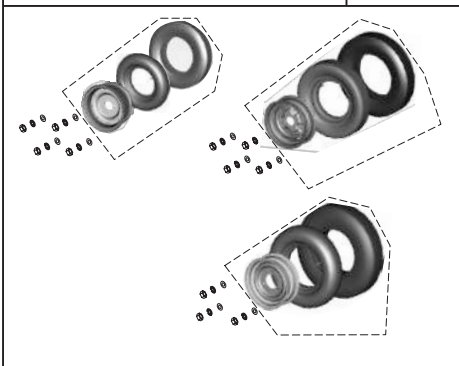


PLATE NO. : 42 REAR WHEEL ASSLY	PAGE NO.: 51
------------------------------------	-----------------



# Pictorial Index



PLATE NO. : 43 REAR SHOCK ABSORBER	PAGE NO.: 52
---------------------------------------	-----------------

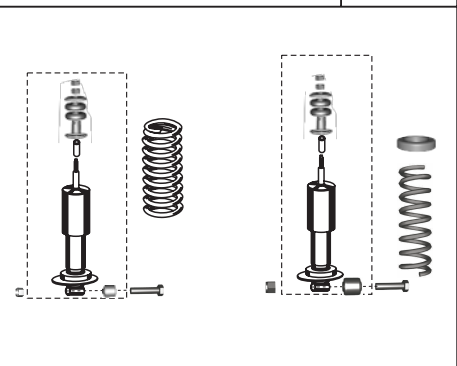


PLATE NO. : 45 TRAILING ARM - XWIDE & C	PAGE NO.: 54
--	-----------------

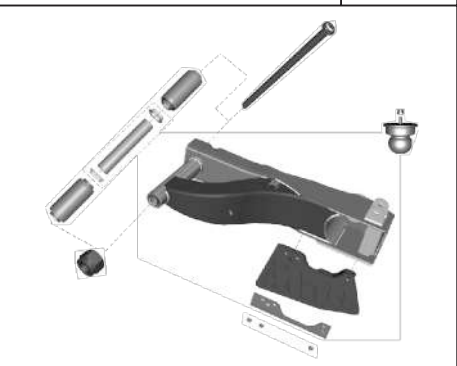


PLATE NO. : 47 FRONT HUB & SHOCK ABSORBER	PAGE NO.: 57,58
--	--------------------

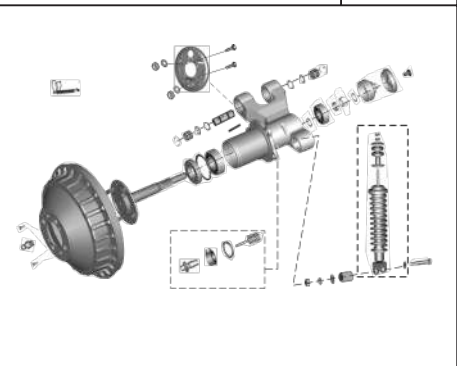


PLATE NO. : 44 TRAILING ARM- RE & Maxima Z	PAGE NO.: 53
---	-----------------

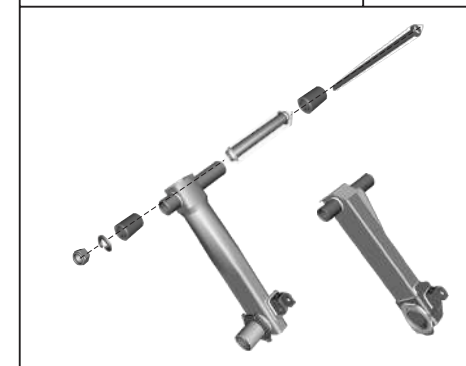


PLATE NO. : 46 REAR HUB & AXLE	PAGE NO.: 55,56
-----------------------------------	--------------------

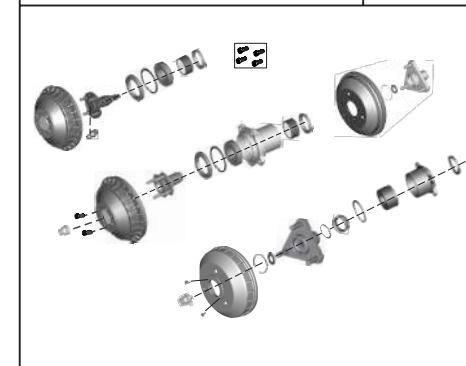
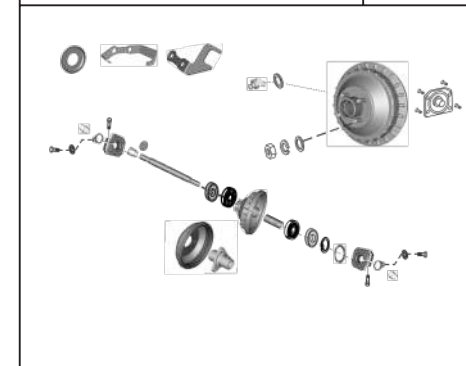


PLATE NO. : 48 FRONT BRAKE DRUM	PAGE NO.: 59,60
------------------------------------	--------------------



# Pictorial Index



PLATE NO. : 49  
BRAKE PANEL

PAGE NO.:  
61,62

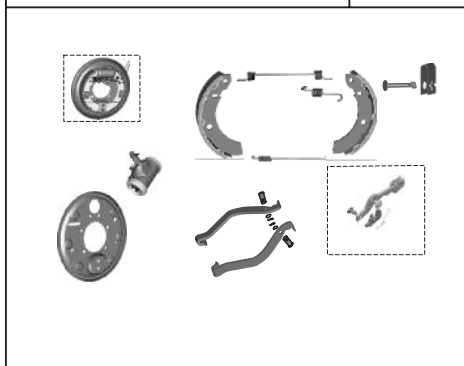


PLATE NO. : 51  
STEERING COLUMN & FORK

PAGE NO.:  
65,66

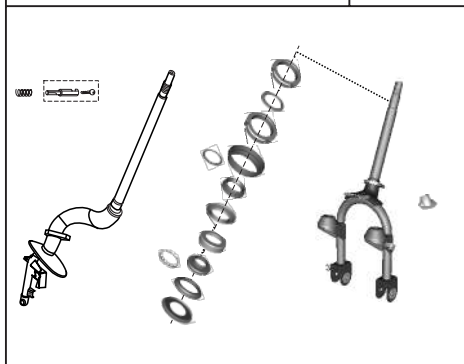


PLATE NO. : 53  
FRONT MUDGUARD

PAGE NO.:  
68

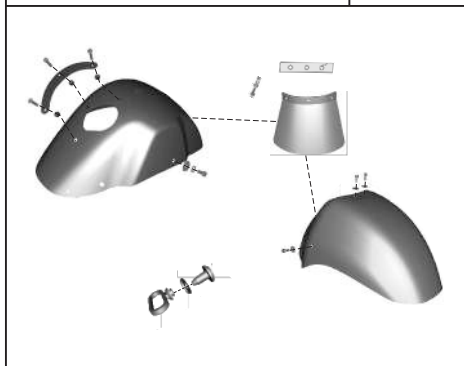


PLATE NO. : 50  
AUTO ADJUSTER BRACK SYSTEM

PAGE NO.:  
63,64

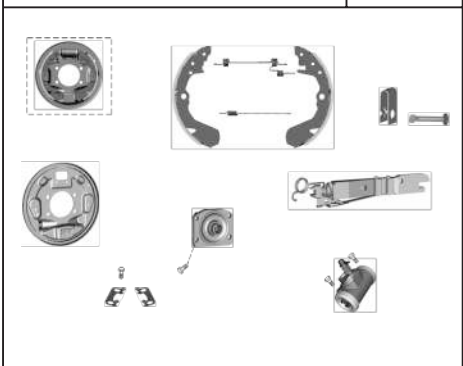


PLATE NO. : 52  
FRONT SHOCK ABSORBER & LINKAGE

PAGE NO.:  
67

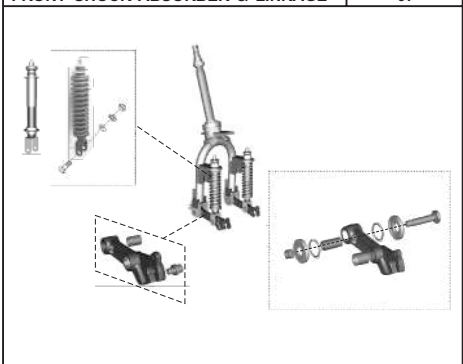
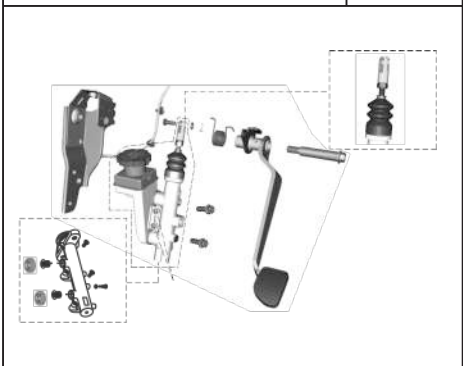


PLATE NO. : 54  
TMC & BRAKE PEDAL

PAGE NO.:  
69,70



# Pictorial Index



PLATE NO. : 55  
BRAKE PIPES

PAGE NO.:  
71

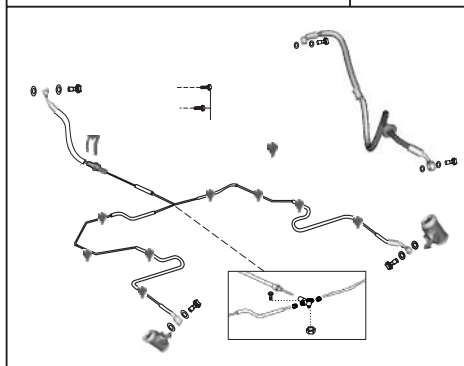


PLATE NO. : 57  
PARKING BRAKE- Z

PAGE NO.:  
73

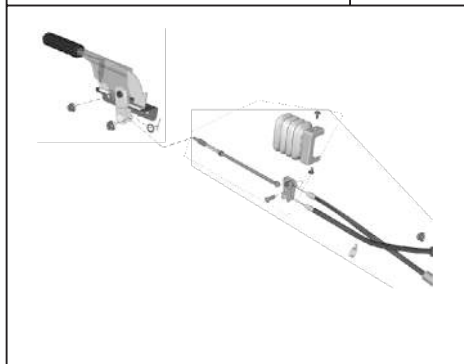


PLATE NO. : 59  
HANDLE BAR

PAGE NO.:  
75,76

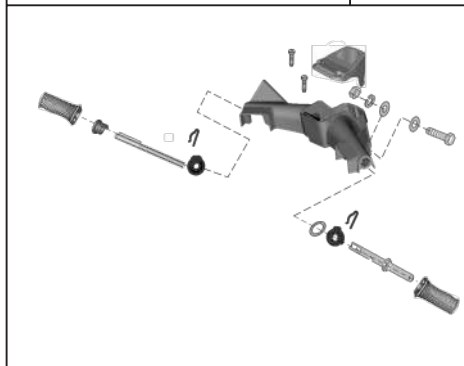


PLATE NO. : 56  
PARKING BRAKE- RE

PAGE NO.:  
72

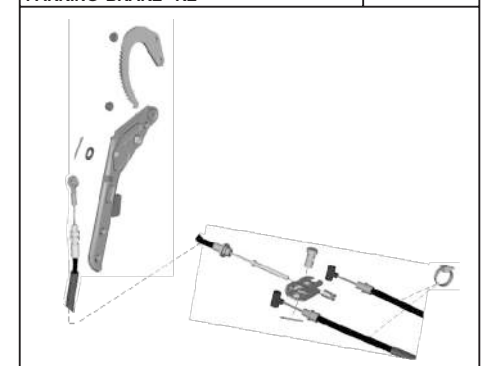


PLATE NO. : 58  
PARKING BRAKE- XWIDE & C

PAGE NO.:  
74

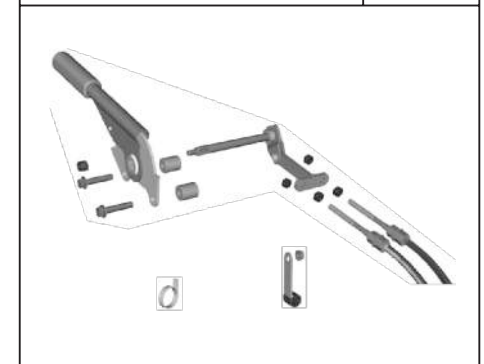
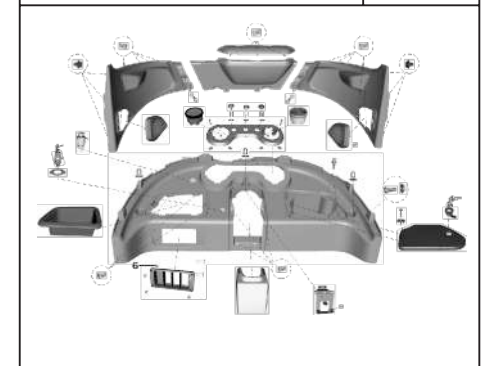


PLATE NO. : 60  
DASHBOARD- RE & Z

PAGE NO.:  
77,78



# Pictorial Index



PLATE NO. : 61  
DASHBOARD - XWIDE & C

PAGE NO.:  
79,80

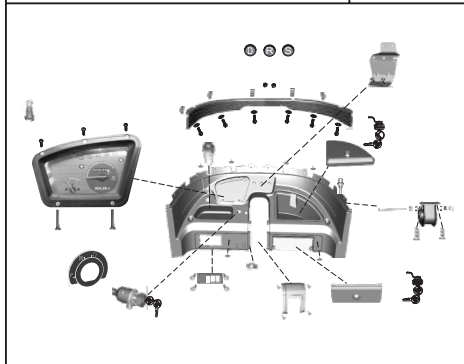


PLATE NO. : 63  
CABIN ASSEMBLY- MAXIMA C

PAGE NO.:  
83,84

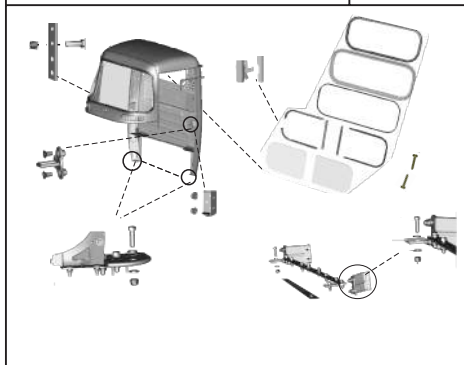


PLATE NO. : 65  
CHASSIS

PAGE NO.:  
87

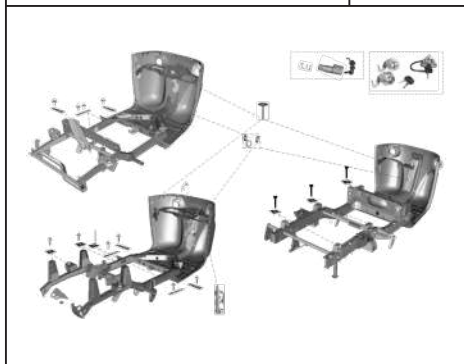


PLATE NO. : 62  
CONTROL CABLES

PAGE NO.:  
81,82

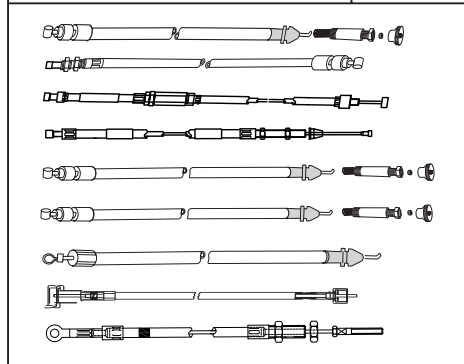


PLATE NO. : 64  
WINDSHIELD & WIPER MOTOR

PAGE NO.:  
85,86

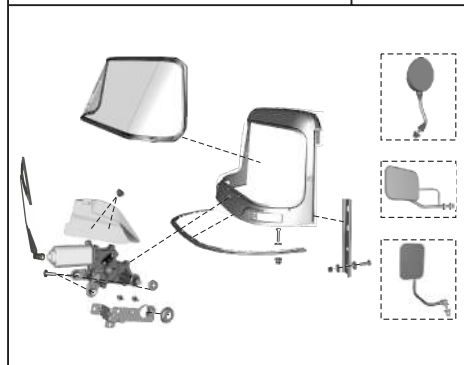
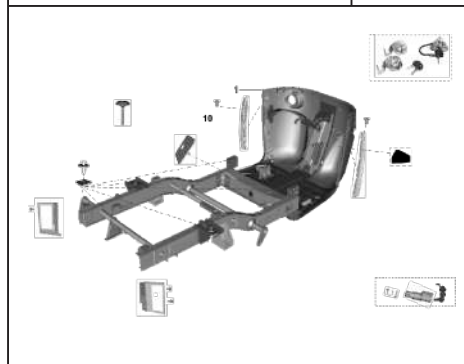


PLATE NO. : 66  
CHASSIS- XWIDE

PAGE NO.:  
88



# Pictorial Index



PLATE NO. : 67  
BODY- RE

PAGE NO.:  
89,90

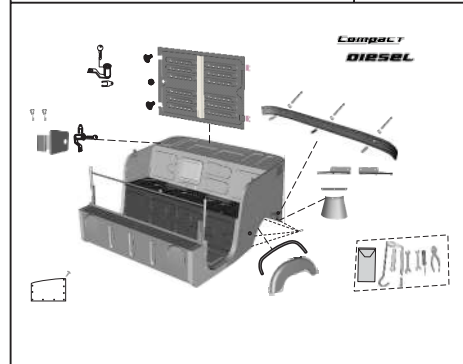


PLATE NO. : 69  
BODY DOOR- Z

PAGE NO.:  
92

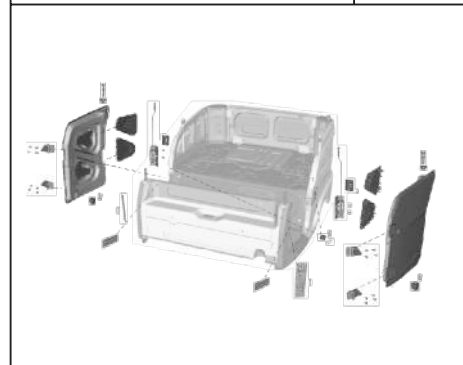


PLATE NO. : 71  
BODY - MAXIMA

PAGE NO.:  
95,96

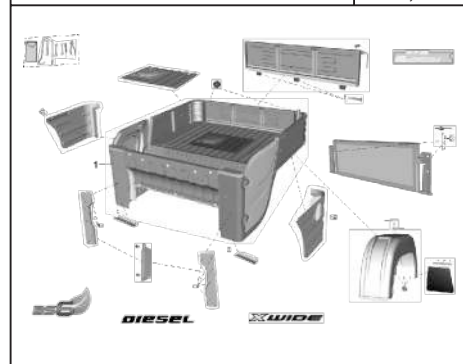


PLATE NO. : 68  
BODY DOOR- RE

PAGE NO.:  
91

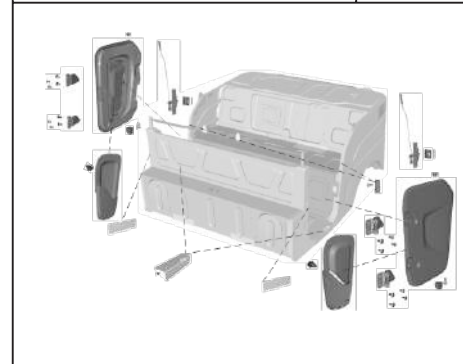


PLATE NO. : 70  
PASSENGER BODY- MAXIMA Z

PAGE NO.:  
93,94

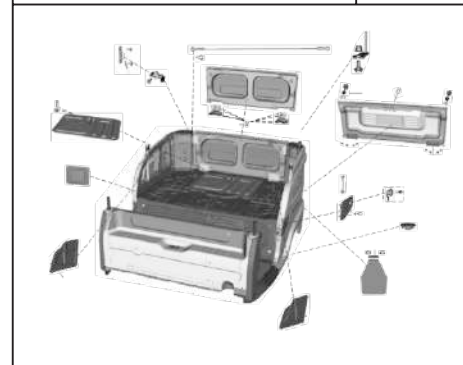
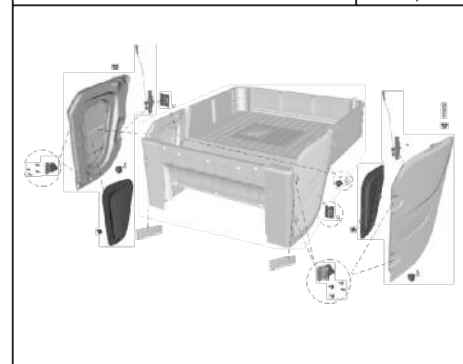


PLATE NO. : 72  
BODY DOOR- XWIDE

PAGE NO.:  
97,98



# Pictorial Index



PLATE NO. : 73  
BODY- Maxima C

PAGE NO.:  
99,100

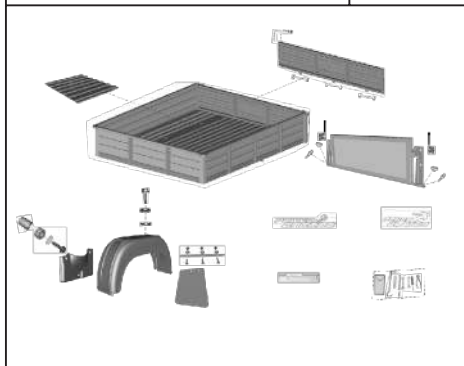


PLATE NO. : 75  
SEAT - Z

PAGE NO.:  
103,104

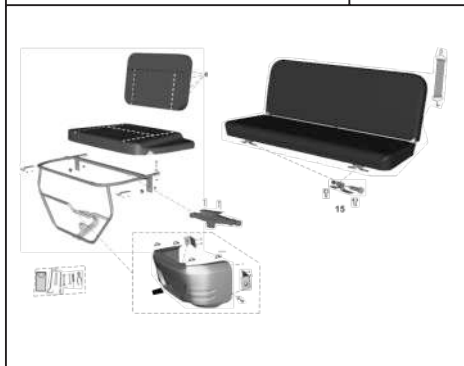


PLATE NO. : 77  
PASSENGER SEAT-D+5

PAGE NO.:  
106

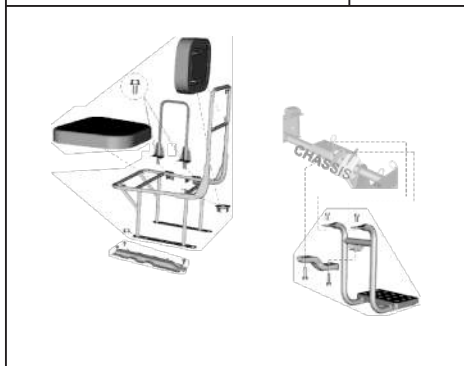


PLATE NO. : 74  
SEAT - RE

PAGE NO.:  
101

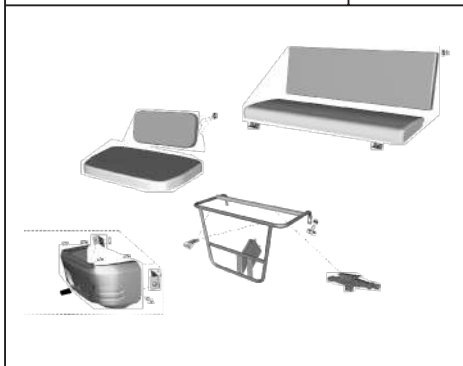


PLATE NO. : 76  
SEAT - MAXIMA

PAGE NO.:  
105

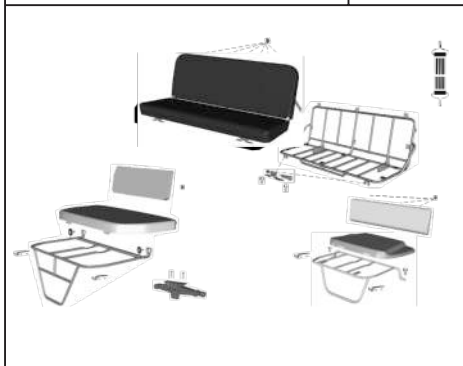
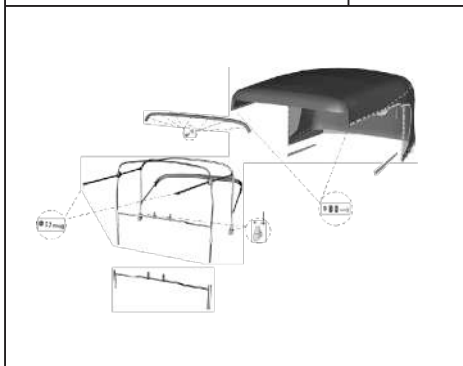


PLATE NO. : 78  
HOOD FRAME- RE

PAGE NO.:  
107



# Pictorial Index



PLATE NO. : 79  
HOOD FRAME - XWIDE

PAGE NO.:  
108

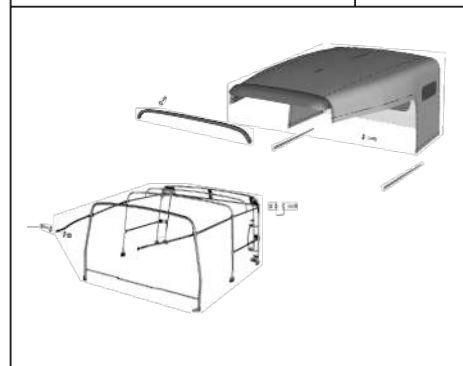


PLATE NO. : 81  
DOOR ASSEMBLY- Maxima C

PAGE NO.:  
111,112

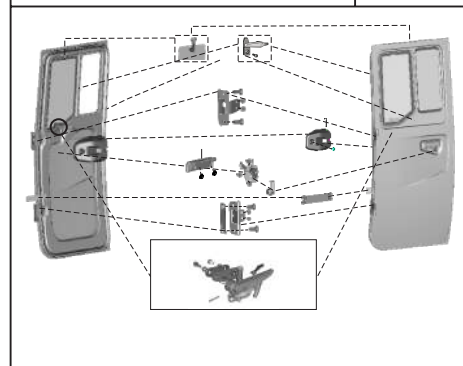


PLATE NO. : 83  
WIRING HARNESS

PAGE NO.:  
114

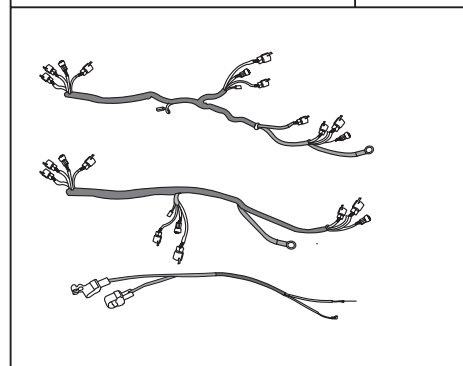


PLATE NO. : 80  
HOOD FRAME Z

PAGE NO.:  
109,110

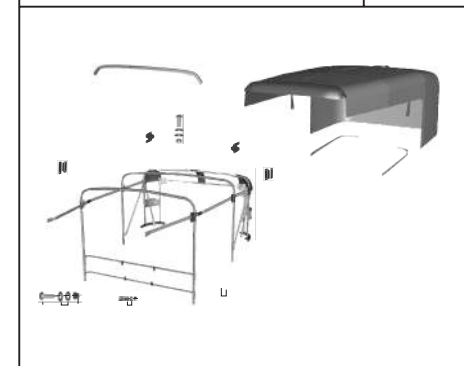


PLATE NO. : 82  
STEERING & HEAD LAMP COVER

PAGE NO.:  
113

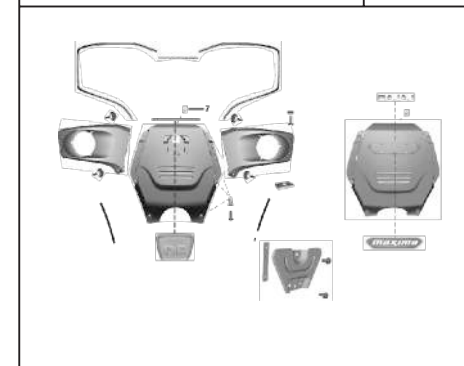
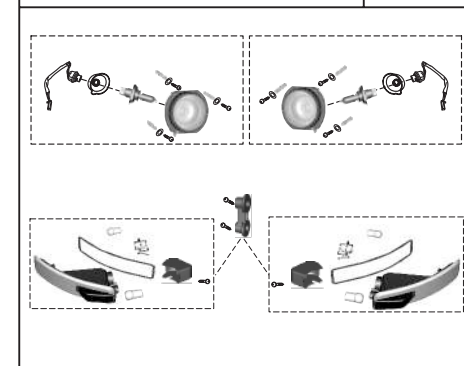


PLATE NO. : 84  
HEAD LIGHT & INDICATOR

PAGE NO.:  
115



# Pictorial Index



PLATE NO. : 85 TAIL LIGHT	PAGE NO.: 116
------------------------------	------------------

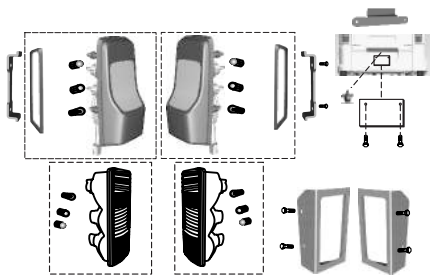
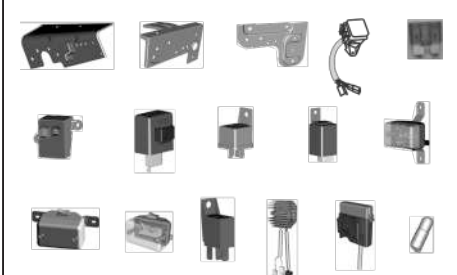


PLATE NO. : 87 SWITCHES	PAGE NO.: 119
----------------------------	------------------



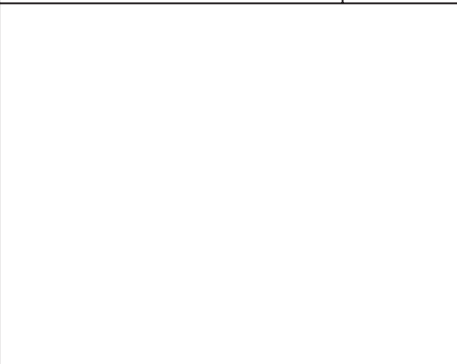
PLATE NO. : 86 ELECTRICAL UNITS	PAGE NO.: 117,118
------------------------------------	----------------------



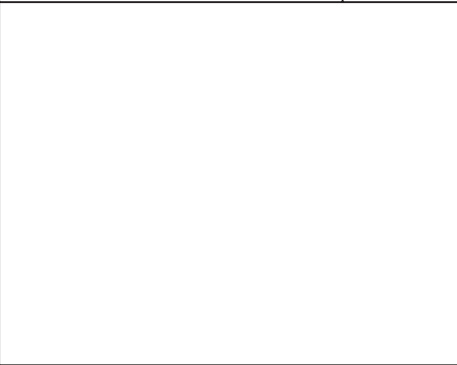
# Pictorial Index



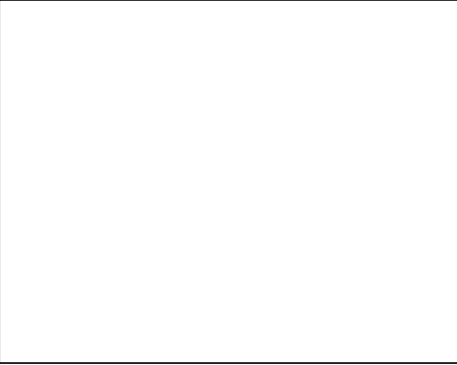
--	--



--	--



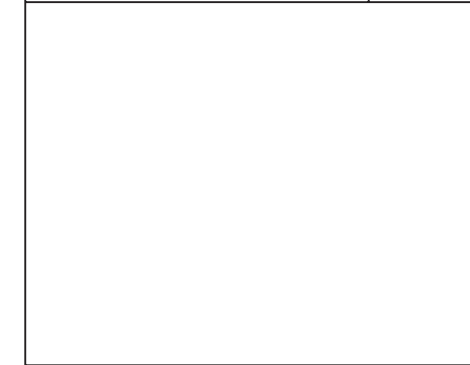
--	--



--	--



--	--



--	--

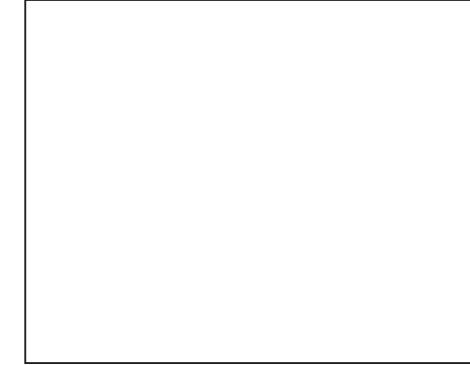
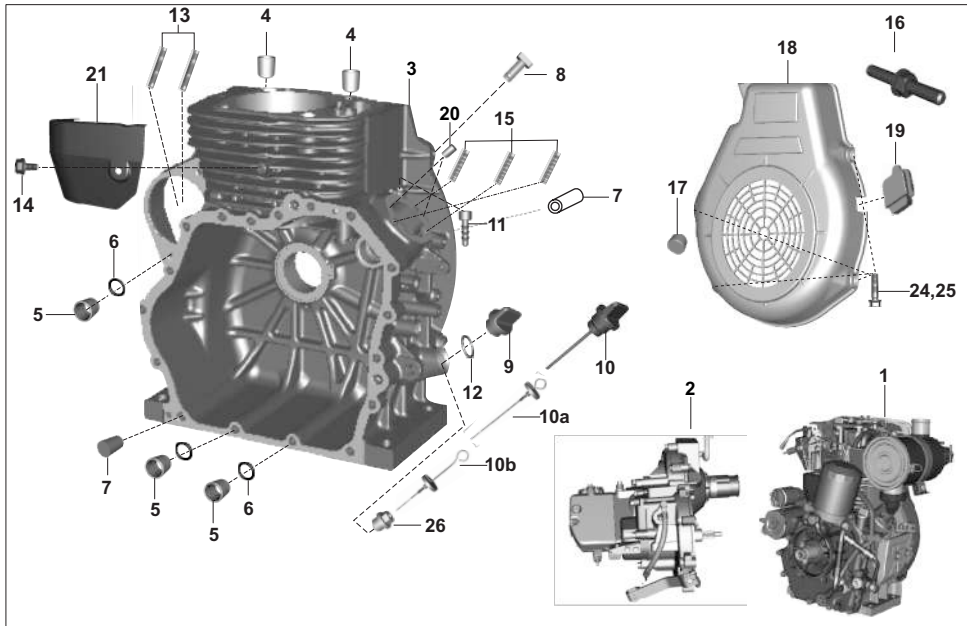


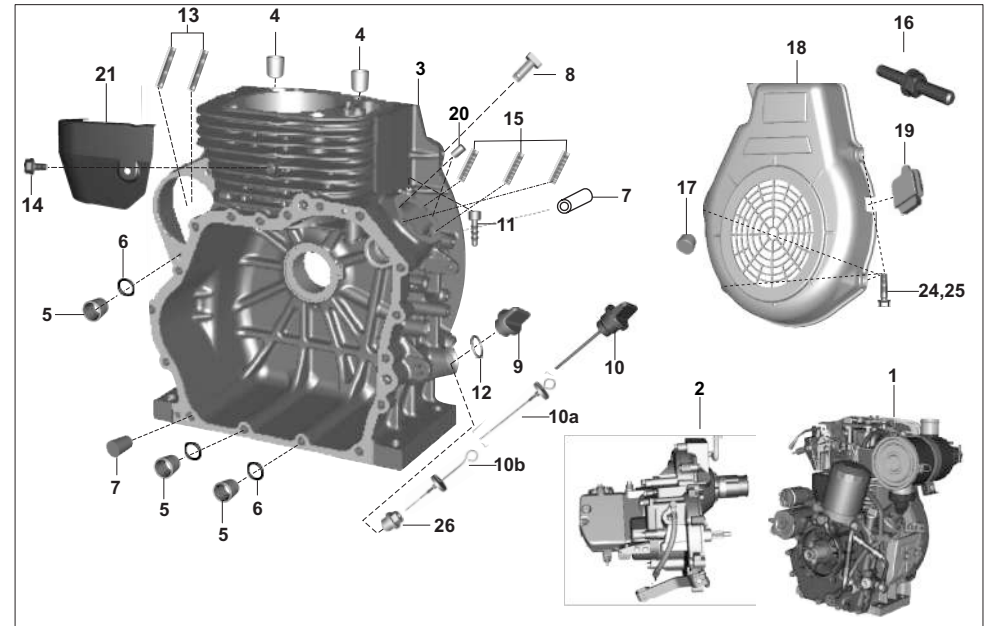
PLATE NO.1 : ENGINE, CYLINDER CRANKCASE



No.	Part No.	Description	BA	BH	BB	AL	Remarks
1	BA103601	Engine assembly	1	-	-	-	
1	BH501027	Engine assembly	-	1	-	-	
1	BB103601	Assembly engine	-	-	1	1	
2	BA133050	Assembly transmission	1	-	-	-	
2	BH551006	Assembly transmission	-	1	-	-	
2	BH551007	Assembly transmission	-	1	-	-	From 12.04.2022
2	BB133135	Assembly transmission	-	-	1	1	
3	BB103435	Crankcase with liner kit	1	-	1	1	NS
3	BH541003	Crankcase with liner kit	-	1	-	-	NS
4	BA102006	Pipe - pin- head	2	2	2	2	
5	BA102008	Pipe pin	3	3	3	3	
6	39101321	O' ring	3	3	3	3	
7	39156906	Spring dowel sleeve	1	1	1	1	
8	BA102009	Pin Dowel	1	1	1	1	
9	BA102038	Plug oil	1	1	1	1	
10	BA102080	Gauge oil	1	-	-	-	
10a	BG501004	Gauge oil	-	1	-	-	
10b	BB103008	Gauge oil	-	-	1	1	
11	BG501006	Plug	-	-	1	1	
12	39156221	'O' ring	1	1	1	1	
13	39163505	Stud - M8 stater motor	2	2	2	2	
14	KADD0612	Bolt flanged	1	1	1	1	

BA - RE  
BH - MAXIMA Z  
BB - MAXIMA XWIDE  
AL - CARGO

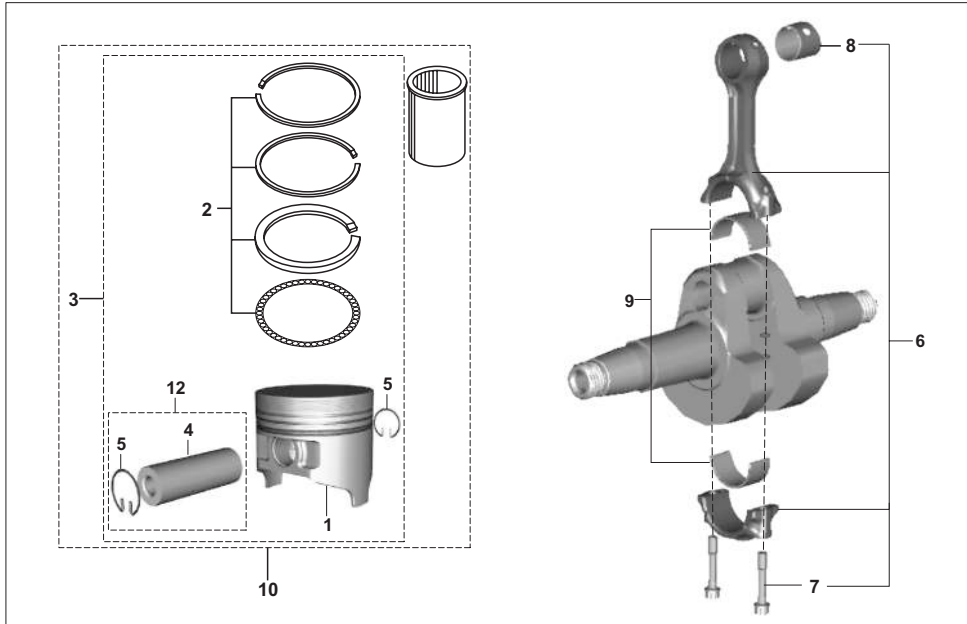
PLATE NO. 1 : ENGINE, CYLINDER CRANKCASE



No.	Part No.	Description	BA	BH	BB	AL	Remarks
15	BA100300	Stud M6X1	3	3	3	3	
16	BB100902	Bolt Special	-	1	1	1	
17	BA102003	Plug - oil hole	1	1	1	1	
18	BG541200	Case spiral	1	-	-	-	
18	BH501028	Cover fan	-	1	-	-	
18	BB103685	Cover fan	-	-	1	1	
19	BG541201	Grommet	1	1	1	1	
20	KHDA0408	Pin dowel-dia 04 X L 08	1	1	1	1	
21	BB103389	Cowling Crankcase	1	1	-	-	
22	36BB0067	Kit c'case piston assly	1	-	1	1	
23	36BB0068	Kit c'case piston assly-Z	-	1	-	-	
24	76010936	Thread lock tight 243	1	1	1	1	
25	KAED0622	Bolt small case spiral	4	4	3	3	
26	BB103010	Plug oil gauge	-	-	1	1	

BA - RE  
BH - MAXIMA Z  
BB - MAXIMA XWIDE  
AL - CARGO

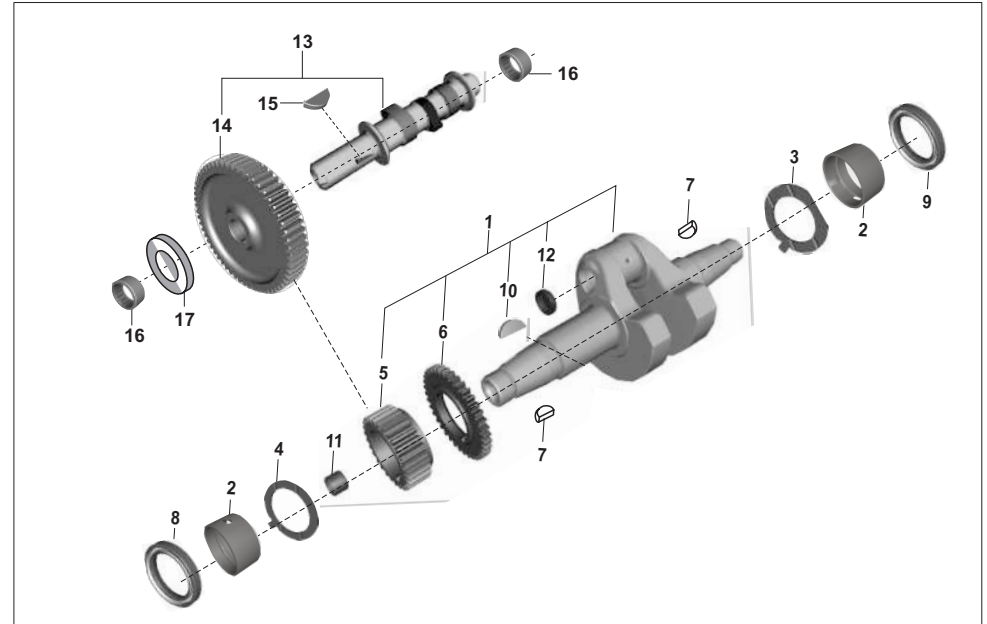
PLATE NO. 2 : PISTON & CONNECTING ROD



No.	Part No.	Description	BA	BH	BB	AL	Remarks
1	BB103323	Piston standard	1	1	1	1	NS
2	36BB0012	Piston ring set std	1	1	1	1	Kit-33
3	BB103322	Assembly piston comp.	1	1	1	1	
4	36BA4027	Kit Piston Pin BA102061	1	1	1	1	Kit-32
5	BA102062	Piston Pin Circlip	2	2	2	2	
6	BB103421	Assembly conrod	1	1	1	1	
7	BB101168	Bolt connecting rod	2	2	2	2	
8	BB101170	Bush (piston pin)	2	2	2	2	
9	BA102064	Bush crank pin	2	2	2	2	
10	BA102174	Metal Crank Pin (Under size)	2	2	2	2	
11	36BA4044	Kit cynder liner piston assly	1	1	1	1	
11	36BA4027	Kit piston pin gudgeon fl diesel	1	1	1	1	Kit-46

BA - RE  
BH - MAXIMA Z  
BB - MAXIMA XWIDE  
AL - CARGO

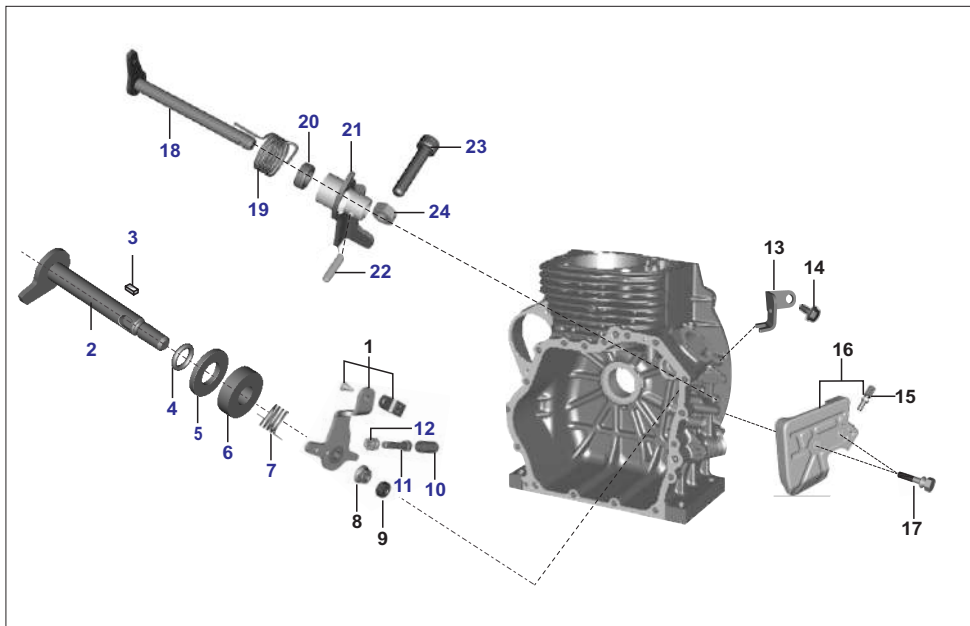
PLATE NO. 3 : CRANKSHAFT & CAM SHAFT



No.	Part No.	Description	BA	BH	BB	AL	Remarks
X 1	BB103330	Crankshaft with gear assly	1	1	1	1	
2	BA102068	Bearing main crank shaft	2	2	2	2	
2	BA102175	Main bearing Crankshaft (Under size)	1	1	1	1	
3	BA102309	Thrust washer (1)	1	1	1	1	
4	BA102304	Thrust washer (2)	1	1	1	1	
5	BA102071	Gear crankshaft	1	1	1	1	
6	BA102072	Gear 1 balancer	1	1	1	1	
7	BA102099	Woodruff key	2	2	2	2	
8	BB103748	Seal oil clutch side	1	1	1	1	
9	BB103747	Seal oil magneto side	1	1	1	1	
10	BA102130	Feather Key (Crankshaft Gear)	1	1	1	1	
11	BA102126	Bush crankshaft	1	1	1	1	
12	BA102118	Cap - sealing crankshaft	1	1	1	1	
13	BB103052	Assly Camshaft. With gear	1	1	1	1	
14	BA102054	Gear (Cam)	1	1	1	1	
15	BA102129	Woodruff Key	1	1	1	1	
16	39143620	Needle roller bearing	2	2	2	2	
17	BA102055	Shim (Cam Shaft)	1	1	1	1	

BA - RE  
BH - MAXIMA Z  
BB - MAXIMA XWIDE  
AL - CARGO

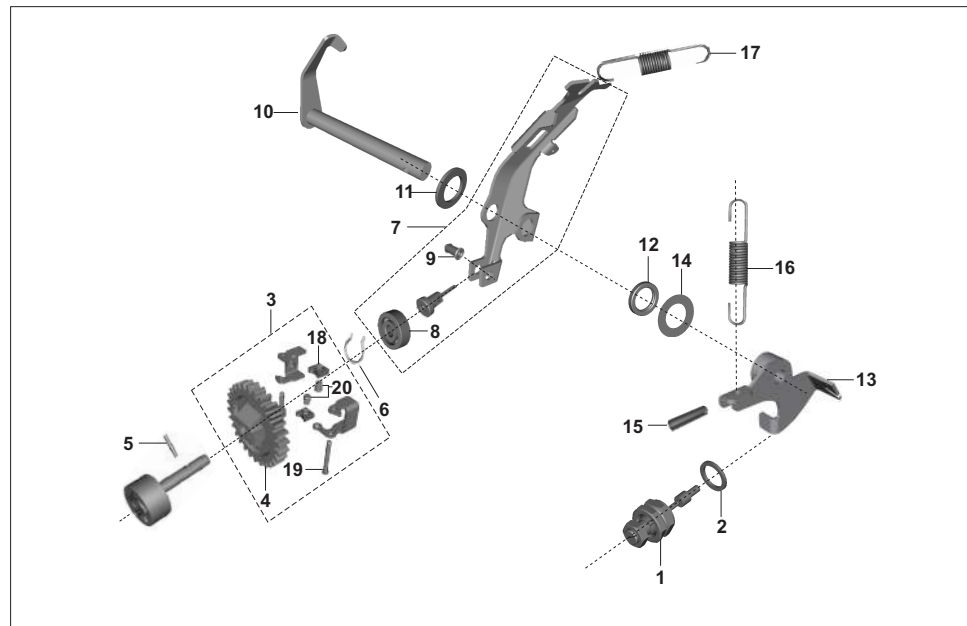
PLATE NO. 4 : SPEED CONTROL LEVERS



No.	Part No.	Description	BA	BH	BB	AL	Remarks
1	BB103030	Lever assembly control	1	1	1	1	
2	BA122047	Shaft complete (speed limit)	1	1	1	1	
3	BA122048	Feather key	1	1	1	1	
4	39156121	"O" ring	1	1	1	1	
5	39118011	Plain washer	1	1	1	1	
6	BA122049	Disc Friction	1	1	1	1	
7	BA122050	Stop spring	1	1	1	1	
8	KCGA0606	Nut hex flanged	1	1	1	1	
9	39158015	Hexagon nut	1	1	1	1	
10	BA122052	Cap	1	1	1	1	
11	39231704	Bolt hexagon head M6	1	1	1	1	
12	BA122051	Nut lock	1	1	1	1	
13	BA122216	Release holder	1	1	1	1	
14	KADD0612	Bolt flanged	1	1	1	1	
15	BB101171	Adjuster with nut	1	1	1	1	
16	BB103406	Cover governor assly	1	1	1	1	
17	BA102187	Screw Long	2	2	2	2	
18	BB103436	Shaft assembly	1	1	1	1	
19	BB103440	Spring torsion	1	1	1	1	
20	BB103461	Seal oil	1	1	1	1	
21	BB103459	Lever assembly	1	1	1	1	
22	LHC00004	Pin spring dia 2.7	1	1	1	1	
23	KACA0630	Bolt master kac	1	1	1	1	
24	KCAA0605	Nut hex thick	1	1	1	1	

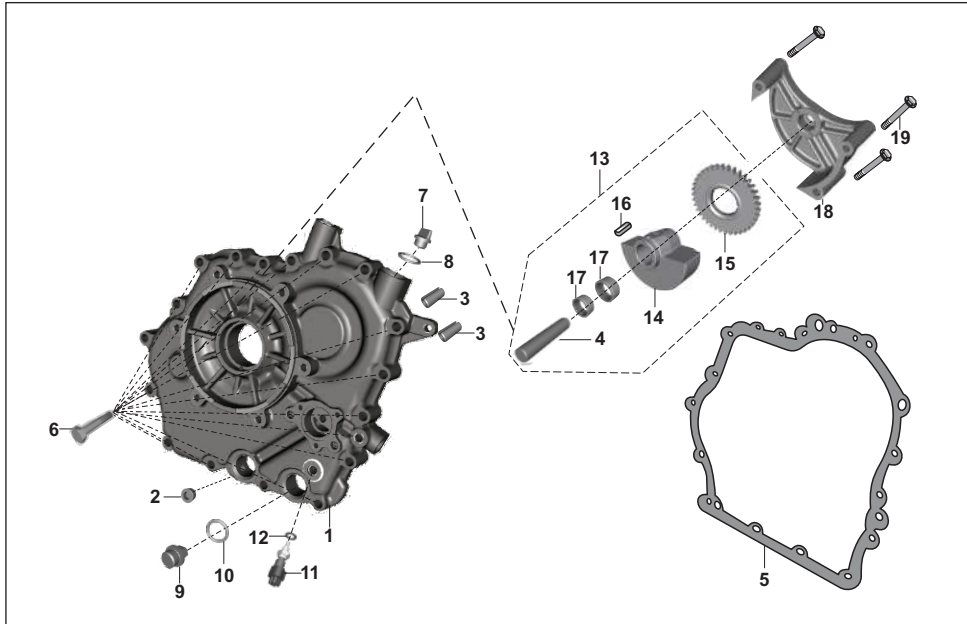
BA - RE  
BH - MAXIMA Z  
BB - MAXIMA XWIDE  
AL - CARGO

PLATE NO. 5 : GOVERNER



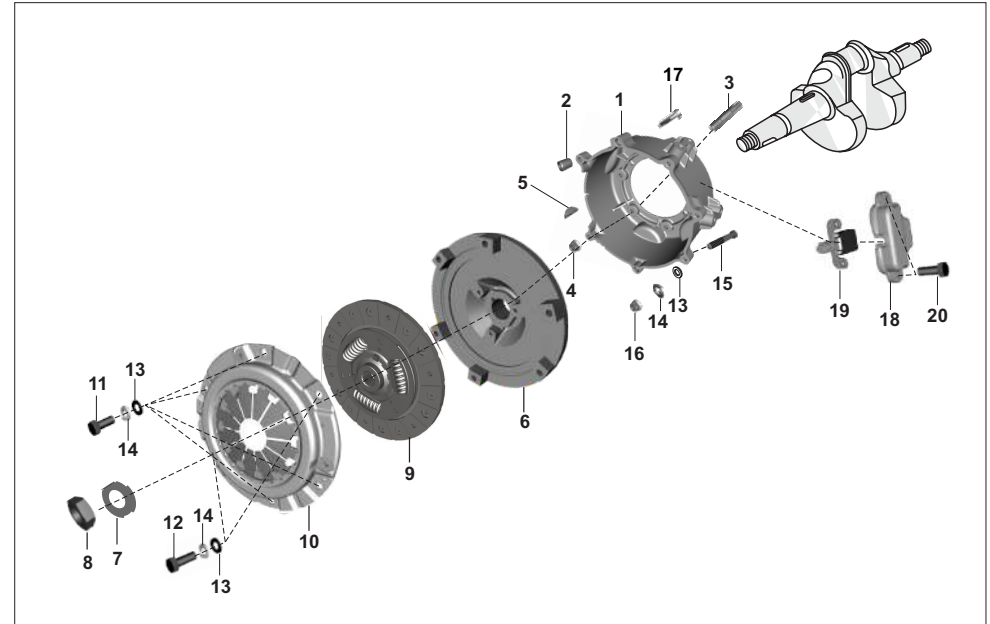
No.	Part No.	Description	BA	BH	BB	AL	Remarks
1	BH611400	Limiter device -assy fuel	1	1	-	-	
1	BB103061	Limiter device -assy fuel	-	-	1	1	
2	BA102087	Packing	1	1	1	1	
3	BA122029	Governor gear complete	1	1	1	1	
4	BA122030	Gear governor	1	1	1	1	
5	39157006	Spring dowel sleeve	1	1	1	1	
6	BA122032	Stopper clip lock	1	1	1	1	
7	BB121080	Lever complete -1 (Governor)	1	1	1	1	
8	39143020	Bearing - ball :- 6 x 19 x 6	1	1	1	1	
9	BA122041	pin - governor shaft	1	1	1	1	
10	BB121082	Lever - 2 (Governor)	1	1	1	1	
11	LDA00002	Plain washer Small	1	1	1	1	
12	BB121083	Oil seal- shaft governor	1	1	1	1	
13	BB121084	Lever 3 (Governor)	1	1	1	1	
14	BB121085	Shim governor	1	1	1	1	
15	KHCA0418	pin-spring(ba121044)	1	1	1	1	
16	BA122044	Governor Spring	1	1	1	1	
17	BB103441	SPRING TENSION	1	1	1	1	
18	BA122034	Collar - governor weight	2	2	2	2	
19	BA122033	Shaft - governor weight	2	2	2	2	
20	BA122035	Pin - governor weight collar	2	2	2	2	

BA - RE  
BH - MAXIMA Z  
BB - MAXIMA XWIDE  
AL - CARGO



No.	Part No.	Description	BA	BH	BB	AL	Remarks
1	BB103714	Cover crankcase	1	1	1	1	
2	BA102004	Plug	1	1	1	1	
3	39156906	Spring dowel sleeve	2	2	2	2	
4	BA102007	Shaft Balancer	1	1	1	1	
5	BA102005	Gasket side cover (0.6 mm)	1	1	1	1	
5	BA102132	Gasket side cover (0.7 mm)	1	1	1	1	
5	BA102131	Gasket side cover (0.5 mm)	1	1	1	1	
6	KADD0845	Flange bolt	17	17	17	17	
7	BA102038	Plug oil filler	1	1	1	1	
8	39156221	"O" ring	1	1	1	1	
9	BB103071	Assembly plug drain	1	1	1	1	
10	59210023	'O' ring for BB103071	1	1	1	1	
11	DK101503	Air & oil temp sensor(m10)sumt cp	1	1	1	1	
12	DK101237	Washer copper oil cooler	1	1	1	1	
13	BB101173	Weight complete (balancer)	1	1	1	1	
14	BB101172	Weight Balancer	1	1	1	1	
15	BA102077	Gear (2 Balancer)	1	1	1	1	
16	BA102078	Feather key for Balancer	1	1	1	1	
17	39143520	Needle Roller Bearing	2	2	2	2	
18	BA102076	Case Balancer	1	1	1	1	
19	BA102255	Bolt pre-coated	3	3	3	3	

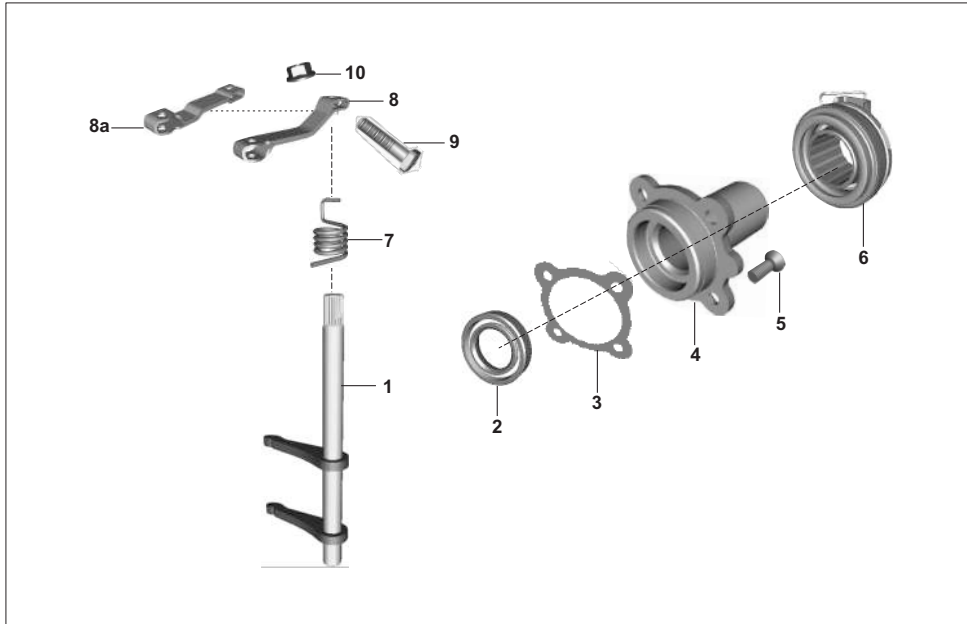
BA - RE  
BH - MAXIMA Z  
BB - MAXIMA XWIDE  
AL - CARGO



No.	Part No.	Description	BA	BH	BB	AL	Remarks
1	BA103641	Housing clutch RE	1	-	-	-	
1	BB103684	Housing clutch MAXIMA	-	1	1	1	MOD. Fr.10.07.21
2	BA132122	Dowel - hollow	2	2	2	2	
3	39142305	Stud	6	6	6	6	
4	LCG00010	nut flange	6	6	6	6	
5	BA102099	Key woodruff	1	1	1	1	
6	BB103699	Flywheel	1	1	1	1	
7	BA132272	Lock washer	1	1	1	1	
8	BA132104	Nut (M 27 x 1.5)	1	1	1	1	
9	BA133067	Disc assembly clutch	1	1	1	1	
10	BA133065	Clutch cover assly dsl	1	-	1	1	
10	BA133039	Cover clutch assy -hand	-	1	-	-	
11	39043501	Screw	4	4	4	4	
12	BA132095	Bolt special	2	2	2	2	
13	39158211	Plain washer	11	11	11	11	
14	39182812	Spring washer	11	11	11	11	
15	39143104	"D" Bolt	3	3	3	3	
16	39197015	Hex lock nut	3	3	3	3	
17	KADD0845	Bolt flanged	3	3	3	3	
18	BB103693	Cover sensor pick up	1	1	1	1	
18	BB103799	Cover sensor pick up	1	1	1	1	Fr.10.07.21
19	BB103694	Sensor pick up	1	1	1	1	
20	KADD0618	Bolt flanged	2	2	2	2	
21	LAD00064	Bolt Precoated	2	2	2	2	Fr.10.07.21

BA - RE  
BH - MAXIMA Z  
BB - MAXIMA XWIDE  
AL - CARGO

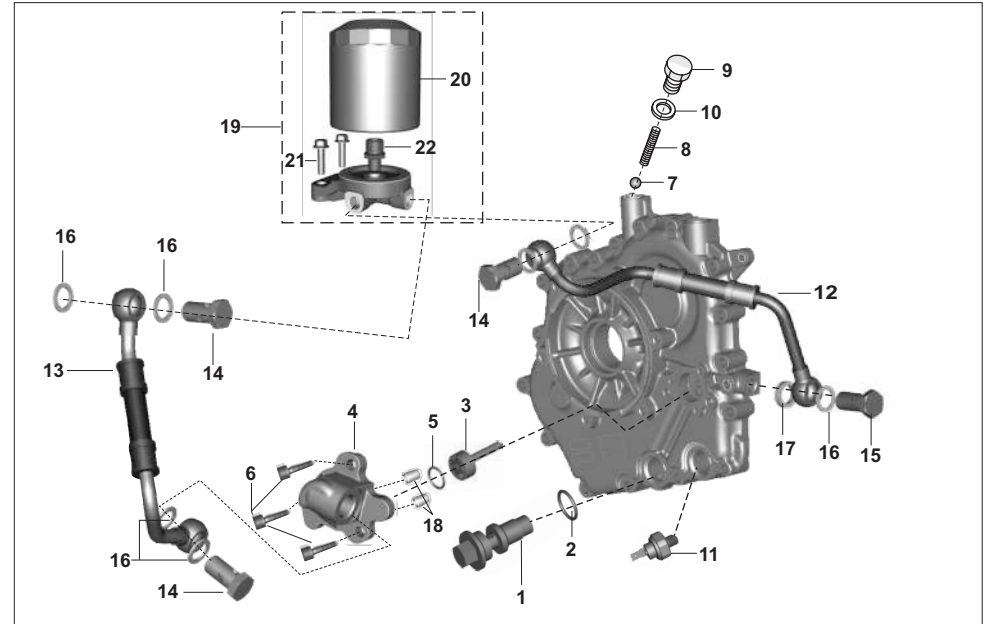
PLATE NO. 8 : CLUTCH SHAFT



No.	Part No.	Description	BA	BH	BB	AL	Remarks
1	BB131136	Assly clutch shaft	1	-	1	1	
1	BH551400	Assly clutch shaft	-	1	-	-	
2	39153519	Oil Seal	1	1	1	1	
3	BA132246	Gasket sleeve retainer	1	1	1	1	
4	BA132244	Sleeve retainer	1	1	1	1	
5	BA132185	Screw pre coated	4	4	4	4	
6	BA132211	Clutch release bearing	1	1	1	1	
7	BB131138	Spring clutch lever	1	-	1	1	
7	BH551402	Spring clutch lever	-	1	-	-	
8	BA132017	Clutch lever	1	-	1	1	
9	BH551427	Lever clutch	-	1	-	-	
9	39080204	Square bolt	1	1	1	1	
10	39197015	Nut hex small	1	1	1	1	

BA - RE  
BH - MAXIMA Z  
BB - MAXIMA XWIDE  
AL - CARGO

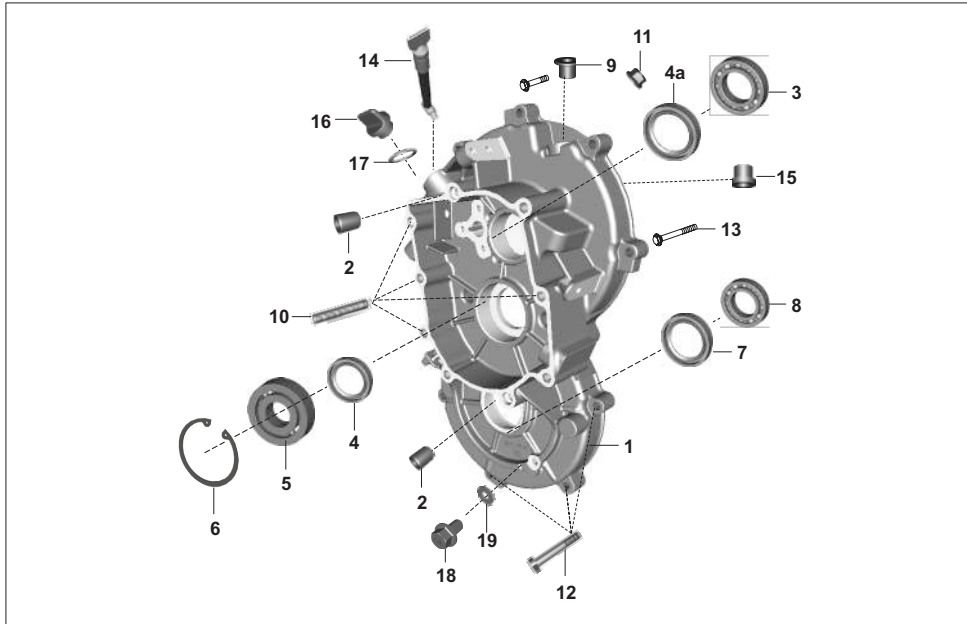
PLATE NO. 9 : OIL PUMP



No.	Part No.	Description	BA	BH	BB	AL	Remarks
1	BB103011	Assly strainer	1	1	1	1	
2	59210023	"O" Ring	1	1	1	1	
3	BA122205	Rotor assembly (Oil pump)	1	1	1	1	
4	BA122204	Oil pump cover	1	1	1	1	
5	39149721	"O" Ring	1	1	1	1	
6	39119704	Bolt hexagon socket head	3	-	-	-	
6	LAC00026	Bolt socket-m6x1x1 20xcl 12.9	-	3	3	3	
7	BA102127	Ball	1	1	1	1	
8	BA102293	Spring	1	1	1	1	
9	BA102084	Plug	1	1	1	1	
10	39144525	Sealing ring	1	1	1	1	
11	BA201082	Oil Pressure switch	1	1	1	1	
12	BA103626	Pipe filter oil outlet	1	-	-	-	
12	BB103353	Tube oil filter outlet	-	1	1	1	
13	BA103625	Pipe filter oil inlet	1	-	-	-	
13	BB103352	Tube oil filter inlet	-	1	1	1	
14	BA141017	Banjo bolt	3	-	3	3	
14	BB103084	Banjo bolt	-	3	-	-	
15	BB122222	Banjo bolt mh 14	1	1	1	1	
16	BA122143	Copper washer	7	7	7	7	
17	BB122223	Copper washer	1	1	1	1	
18	39168606	Hollow Dowel Pin	2	2	2	2	
19	BA103629	Filter assembly oil	1	-	-	-	
19	BB103355	Assly oil filter	-	1	1	1	
20	BA102113	Filter oil cartridge	1	1	1	1	
21	KADD0870	Bolt flanged	2	-	-	-	
21	KADD0830	Bolt flanged	-	2	2	2	
22	BA103043	Insert cover oil filter	1	1	1	1	

BA - RE  
BH - MAXIMA Z  
BB - MAXIMA XWIDE  
AL - CARGO

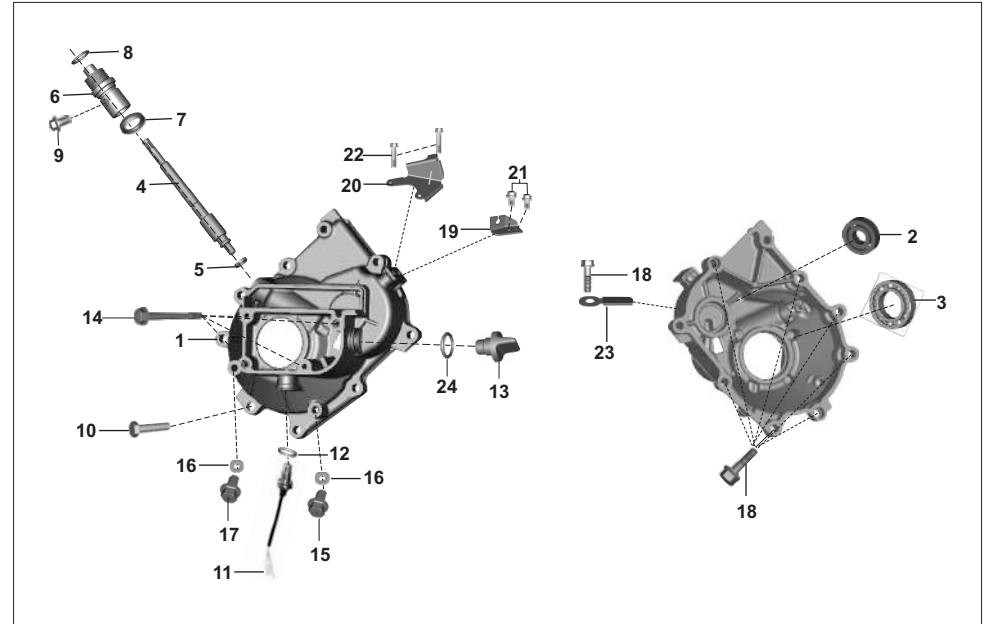
PLATE NO. 10 : MAIN HOUSING



No.	Part No.	Description	BA	BH	BB	AL	Remarks
1	BA133016	Main housing	1	-	-	-	
1	BH552005	Main housing	-	1	-	-	
1	BB133025	Main housing	-	-	1	1	
2	BA132122	Hallow dowel	2	2	2	2	
3	15101011	Ball bearing (clutch shaft)	1	1	1	1	
4	39153419	Oil seal	1	1	1	1	
4a	39153519	Oil seal	1	1	1	1	
5	39132420	Ball bearing (main shaft)	1	1	1	1	
6	BA132134	Circlip	1	1	1	1	
7	BF551613	Oil Seal	1	1	1	1	
8	KPBB6007	Ball bearing (differential)	1	1	1	1	
9	BA132012	Bush top	1	1	1	1	
10	39142305	Stud	6	6	6	6	
11	39197015	Flange nut	5	5	5	5	
12	39143104	D bolt	3	3	3	3	
13	39139404	Bolt - flanged	2	2	2	2	
14	BA132179	Breather assembly	1	1	1	1	
15	BB131166	Bush bottom	1	1	1	1	
16	BA102038	Oil plug	1	1	1	1	
17	39156221	O ring	1	1	1	1	
18	AL131074	Oil plug	1	1	1	1	
19	39158511	Plain washer	1	1	1	1	

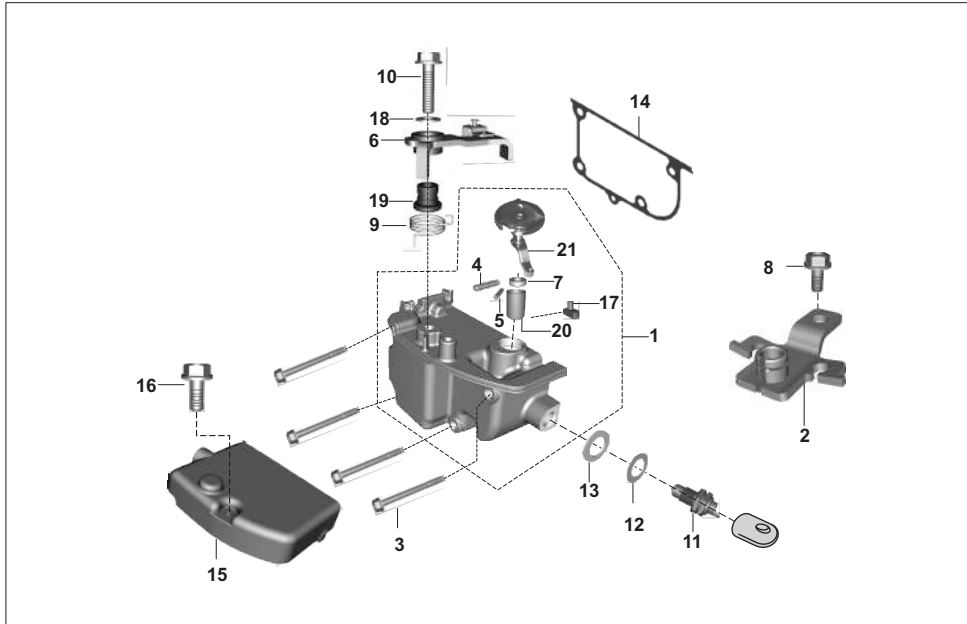
BA - RE  
BH - MAXIMA Z  
BB - MAXIMA XWIDE  
AL - CARGO

PLATE NO. 11 : GEAR BOX COVER



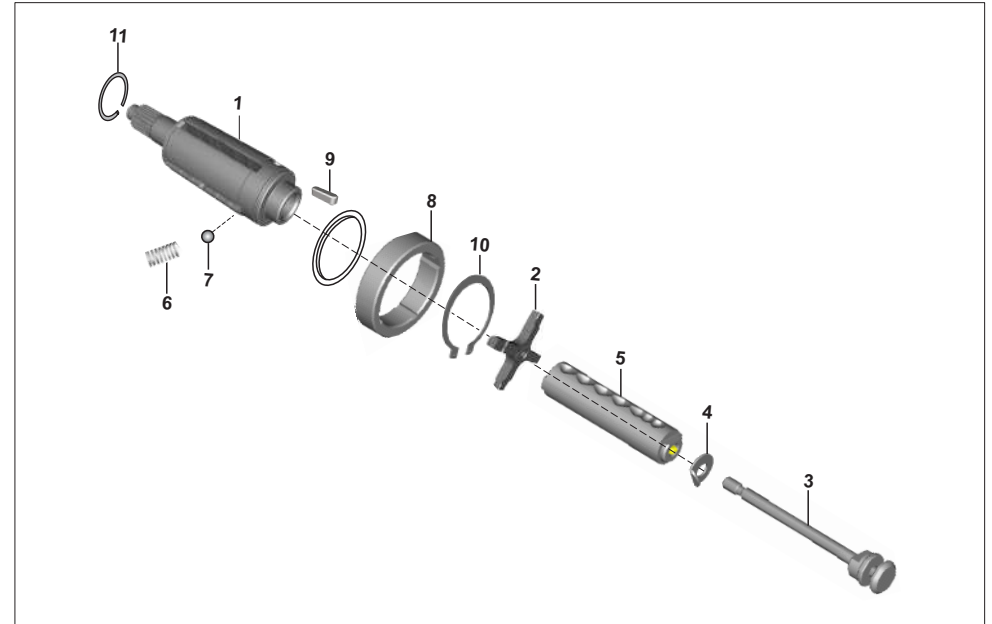
No.	Part No.	Description	BA	BH	BB	AL	Remarks
1	BB133022	Gear box cover	1	1	1	1	
2	30151065	Ball bearing	1	1	1	1	
3	39148720	Ball bearing	1	1	1	1	
4	BG552600	Drive shaft fare meter(13 teeth)	1	1	1	1	
5	BA132064	Washer	1	1	1	1	
6	BB133082	Bush	1	1	1	1	
7	39149819	Oil seal	1	1	1	1	
8	39158721	"O" ring	1	1	1	1	
9	LAE00017	Bolt	1	1	1	1	
10	KADF0835	Bolt flang-	1	1	1	1	
11	BH401400	Switch -reverse(1 pole coup n)	1	1	1	1	
12	03150207	"O" ring	1	1	1	1	
13	JG541230	Cap oil filling	1	1	1	1	
14	KADD0670	Bolt - flange	4	4	4	4	
15	AL131074	Plug - oil	1	1	1	1	
16	39158511	Plain washer	2	2	2	2	
17	BA132189	Plug -oil for diff g-b-cover	1	1	1	1	
18	KADD0830	Bolt flanged	7	7	7	7	
19	BA132121	Bracket clutch cable	1	-	1	1	
20	BH551404	Bracket clutch cable	-	1	-	-	
21	KADT0614	Bolt - flange cl cable bkt	2	-	2	2	
22	KADF0850	Bolt flanged	-	2	-	-	
23	BA201007	Clamp	1	1	1	1	
24	KJAA1424	O ring	1	1	1	1	

BA - RE  
BH - MAXIMA Z  
BB - MAXIMA XWIDE  
AL - CARGO



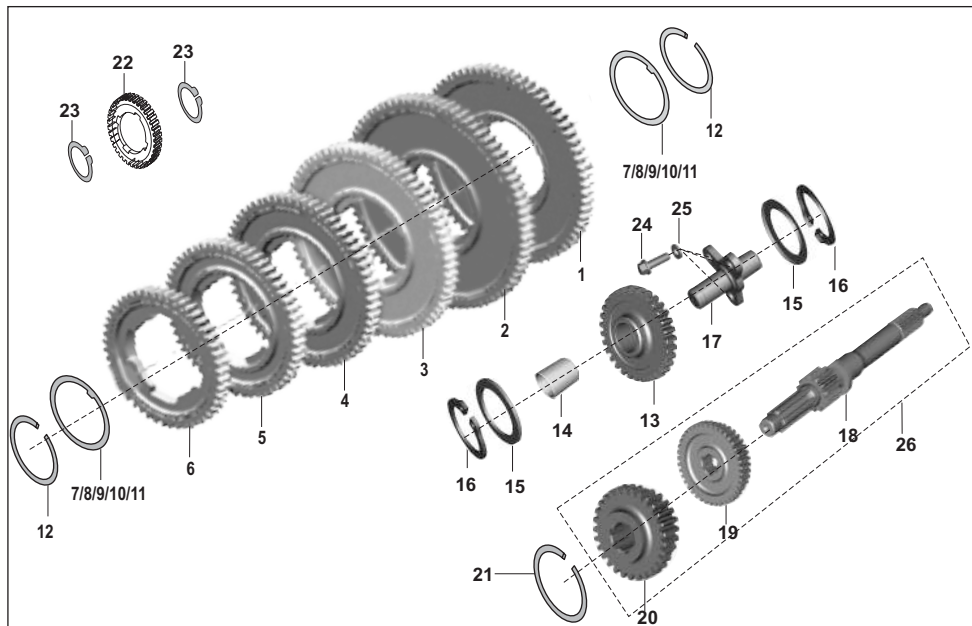
No.	Part No.	Description	BA	BH	BB	AL	Remarks
1	BB133115	Gear shifter assly	1	1	1	1	
2	BB133114	Bracket Rev. Cable	1	1	1	1	
3	KADD0670	Bolt flanged gear shifter	4	4	4	4	
4	KHCA0422	Pin spring	1	1	1	1	
5	39099206	Dowel	1	1	1	1	
6	BB133049	Lever reverse lock	1	1	1	1	
7	39104619	Seal - Oil	1	1	1	1	
8	KADD0614	Bolt flanged	1	1	1	1	
9	BB133051	Spring	1	1	1	1	
10	KADD0625	Bolt flanged	1	1	1	1	
11	AP111023	Neutral switch	1	1	1	1	
12	39080411	Washer - plain	1	1	1	1	
13	20101020	Gasket (material :- aluminium)	1	1	1	1	
14	BB133042	Gasket Shifter Cover	1	1	1	1	
15	BB133041	Gear Shifter Cover	1	1	-	-	
15	BB133134	Cover shifter gear	-	-	1	1	
16	KADD0516	Bolt-flange- gear shifter cover	1	1	1	1	
17	BA132141	Slider Block	-	1	1	1	
18	KDBA0613	Washer_plain	1	1	1	1	
19	BB133050	Spacer	1	1	1	1	
20	BB131161	Bush iglidur-G	1	1	1	1	
21	BB133124	Lever and sector complete	1	1	1	1	

BA - RE  
BH - MAXIMA Z  
BB - MAXIMA XWIDE  
AL - CARGO



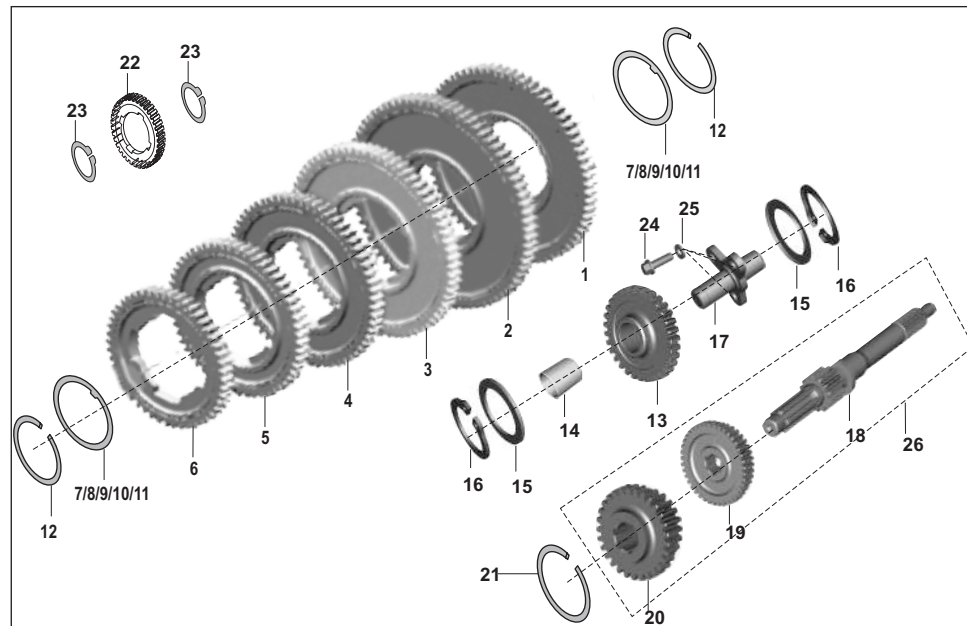
No.	Part No.	Description	BA	BH	BB	AL	Remarks
1	BB133010	Main shaft	1	1	1	1	
2	BB133084	Cross	1	1	1	1	
3	BB133068	Stem gear selector	1	1	1	1	
4	BA132045	Tab washer (lock plate)	1	1	1	1	
5	BB133132	Gear selector	1	1	1	1	
6	BB133130	Spring	2	2	2	2	
7	01180123	Steel ball	2	2	2	2	
8	BB133062	Drive gear fare meter	1	1	1	1	
9	BB133044	Key	1	1	1	1	
10	BA132088	Circlip external	1	1	1	1	
11	21100711	Circlip external	1	1	1	1	
12	BB133315	Shaft assembly-MAIN with gear	1	1	1	1	NI

BA - RE  
BH - MAXIMA Z  
BB - MAXIMA XWIDE  
AL - CARGO



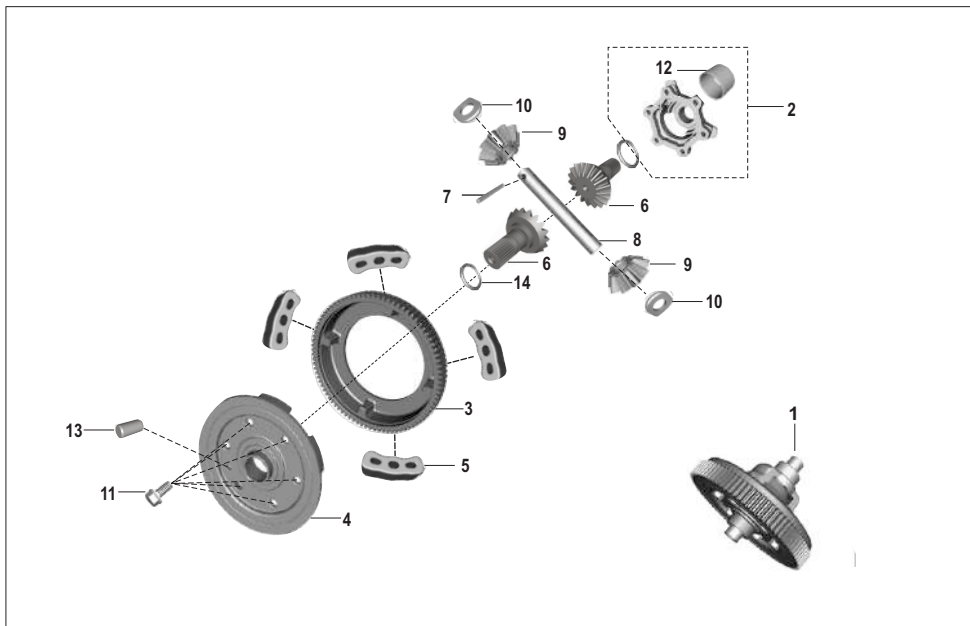
No.	Part No.	Description	BA	BH	BB	AL	Remarks
1	BB133013	Reverse gear (Main shaft)	1	1	1	1	
2	BB133312	Speed gear 1	1	1	1	1	
3	BB133313	Gear speed-2	1	1	1	1	
4	BB133316	Gear speed 3	1	1	1	1	
5	BB133314	Gear speed-4	1	1	1	1	
6	BB133018	Speed gear 5	1	1	1	1	
7	19101016	Shoulder ring1	1	1	1	1	
7	BB133093	Shoulder ring	1	1	1	1	
8	19101017	Shoulder ring No. 2	2	2	2	2	
9	19101018	Shoulder ring No. 3	2	2	2	2	
10	19101019	Shoulder ring No. 4	2	2	2	2	
11	19101020	Shoulder ring No. 5	2	2	2	2	
12	BA132088	Circlip	2	2	2	2	
13	BB133026	R.C. gear assly	1	1	1	1	
14	BA132116	Bushing	1	1	1	1	
15	39187411	Plain Washer	2	2	2	2	
16	KEAA1610	Circlip	2	2	2	2	
17	AL131081	Shaft for R.C. gear	1	1	1	1	
18	BB133004	Multiple Gear Shaft	1	1	1	1	
19	BB133005	Multiple Gear1	1	1	1	1	
20	BB133318	Gear multiple 2	1	1	1	1	
21	39157217	Circlip -external	1	1	1	1	

BA - RE  
BH - MAXIMA Z  
BB - MAXIMA XWIDE  
AL - CARGO



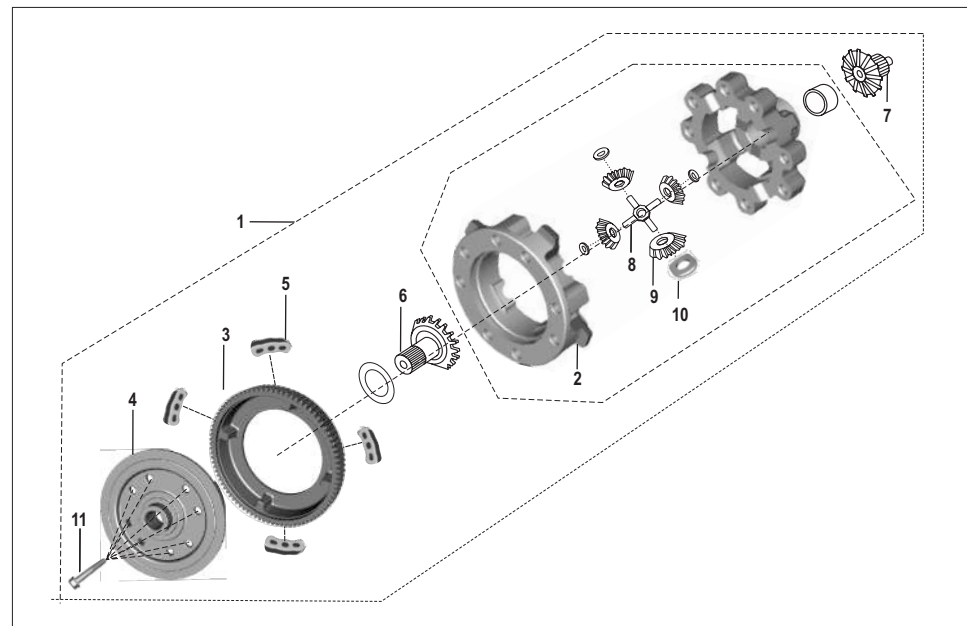
No.	Part No.	Description	BA	BH	BB	AL	Remarks
22	BA133033	Pinion differential	1	-	-	-	
22	BA103713	Pinion differential	1	-	-	-	From March 21
22	BH551618	Pinion differential damper	-	1	-	-	
22	BH551214	Pinion differential damper	-	1	-	-	From 12.04.2022
22	BB133098	Pinion differential	-	-	1	1	
23	KEAB2412	Circlip external	2	2	2	2	
24	KAED0618	Bolt-flanged-small	3	3	3	3	
25	KDDB0612	Washer spring thin	3	3	3	3	
26	BB133317	Shaft assly gear multiple	1	1	1	1	

BA - RE  
BH - MAXIMA Z  
BB - MAXIMA XWIDE  
AL - CARGO



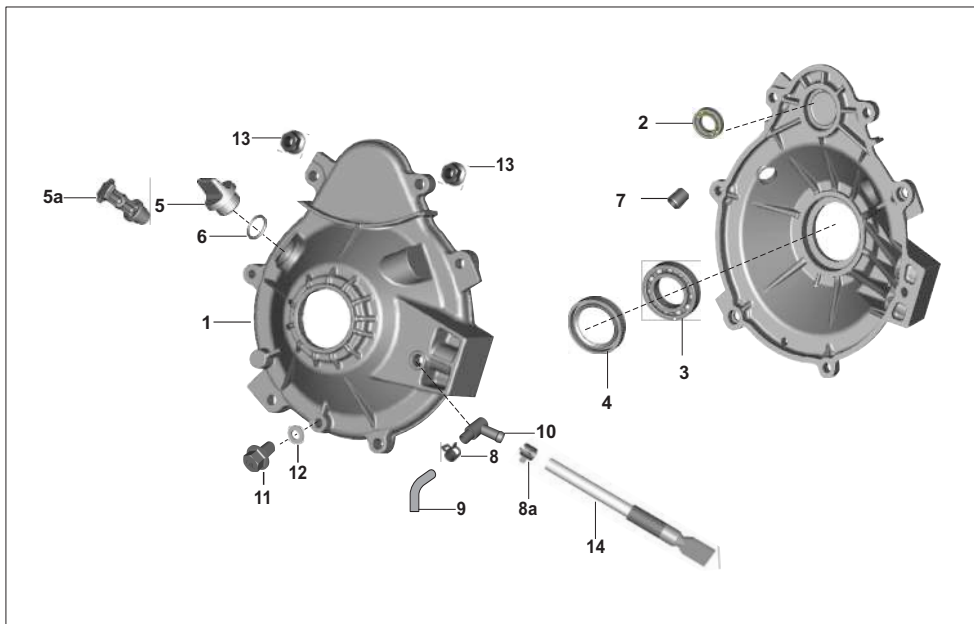
No.	Part No.	Description	BA	BH	BB	AL	Remarks
1	BA133032	Assembly differential damper	1	-	-	-	
2	BG551613	Housing satellite-for damper	1	-	-	-	
3	BA133031	Differential gear damper	1	-	-	-	
3	<a href="#">BA103712</a>	<a href="#">Differential gear damper</a>	1	-	-	-	From March 21
4	BG551618	Hub differential damper	1	-	-	-	
5	BG551615	Damper integrated	4	-	-	-	
6	AL131059	Gear bevel	2	-	-	-	
7	BG551614	Pin	1	-	-	-	
8	24131032	Pin -bevel gear	1	-	-	-	
9	AL131058	Satellite gear	2	-	-	-	
10	22131014	Spacer	2	-	-	-	
11	LAD00180	Flange bolt	6	-	-	-	
12	24130111	Bush -bevel gear housing	1	-	-	-	
13	LHD00005	Dowel pin	1	-	-	-	
14	DK101352	O-Ring sprocket collar	2	-	-	-	

BA - RE  
 BH - MAXIMA Z  
 BB - MAXIMA XWIDE  
 AL - CARGO



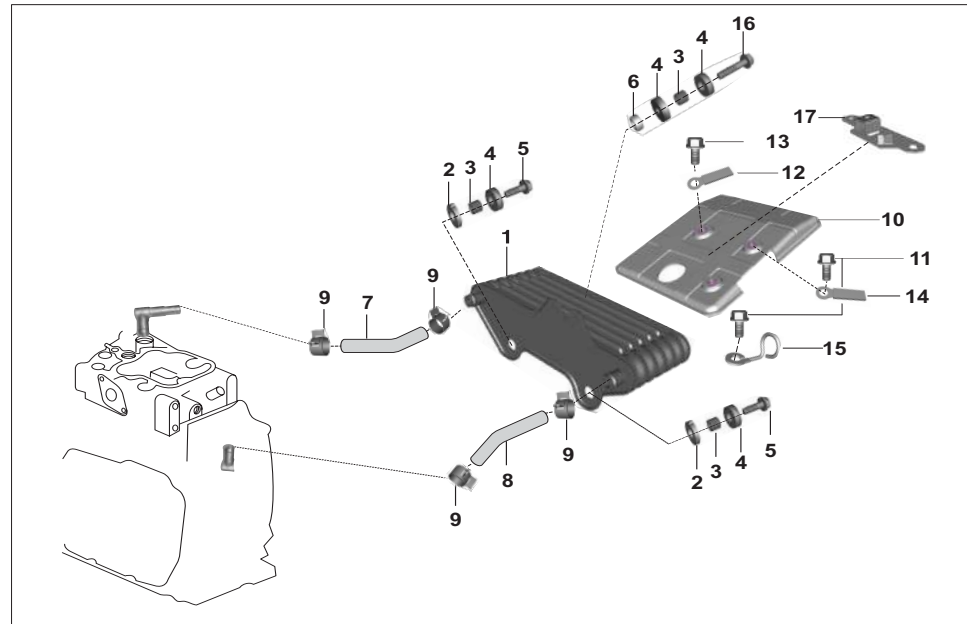
No.	Part No.	Description	BA	BH	BB	AL	Remarks
1	BH551617	Assembly differential damper	-	1	-	-	
1	<a href="#">BH551208</a>	<a href="#">Assembly differential damper</a>	-	1	-	-	From 12.04.2022
1	BB133097	Assembly differential damper	-	-	1	1	
2	BB133052	Housing satellite-for damper	-	1	1	1	
3	BH551614	Differential gear damper	-	1	-	-	
3	<a href="#">BH551212</a>	<a href="#">Differential gear damper</a>	-	1	-	-	From 12.04.2022
3	BB133099	Differential gear damper	-	-	1	1	
4	BB133055	Hub differential damper	-	1	1	1	
5	BG551615	Damper integrated	-	4	4	4	
6	BH551616	Sun Gear RH	-	1	1	1	
7	BH551615	Sun Gear LH	-	1	1	1	
8	AL131055	Cross-differential	-	1	1	1	
9	AL131058	Satellite gear	-	4	4	4	
10	22131014	Spacer	-	4	4	4	
11	AL131127	Flange bolt	-	8	8	8	

BA - RE  
 BH - MAXIMA Z  
 BB - MAXIMA XWIDE  
 AL - CARGO



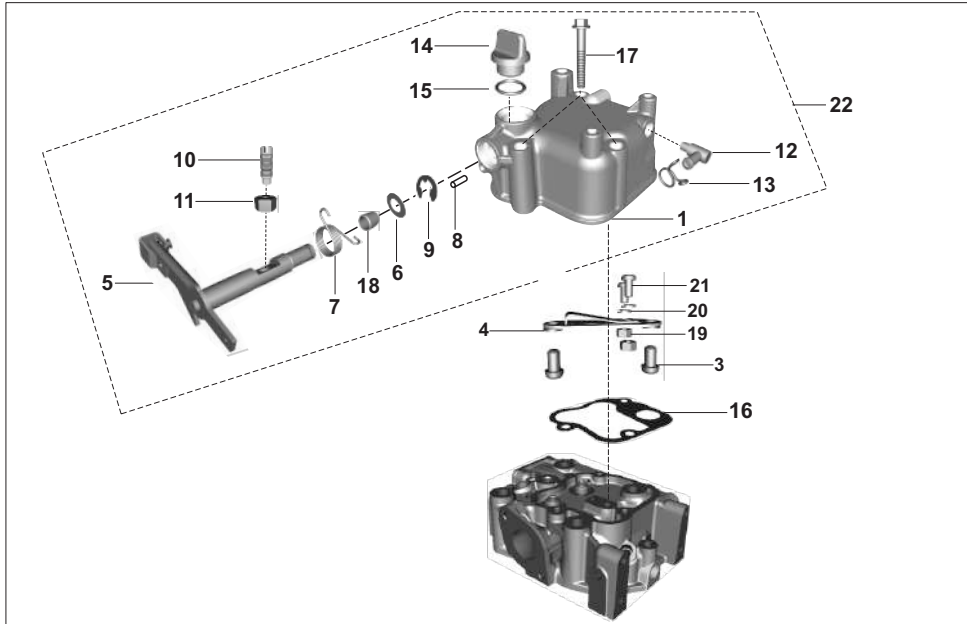
No.	Part No.	Description	BA	BH	BB	AL	Remarks
1	BA133018	Cover differential	1	-	-	-	
1	BB132009	Cover differential	-	1	1	1	
2	30151065	Ball bearing	1	1	1	1	
3	KPBB6007	Ball bearing (Sealed)	1	1	1	1	
4	BF551613	Seal - Oil - 50 X 10	2	2	2	2	
5	BA102038	Oil plug	1	1	1	1	
5a	AL131076	Plug - oil differential	-	1	1	1	
6	39156221	'O' ring	1	1	1	1	
7	BA132122	Hollow dowel	2	2	2	2	
8	BA102147	Clip - pipe	1	1	1	1	
8a	AP121074	Clip - pipe	1	1	1	1	
9	BB103734	Tube breather	1	1	1	1	
10	BA102207	Breather pipe joint	1	1	1	1	
12	39158511	Plain washer	1	1	1	1	
13	39197015	Nut - hexagon with flange M8	2	2	2	2	
14	BB109025	Breather assly	-	1	1	1	

BA - RE  
BH - MAXIMA Z  
BB - MAXIMA XWIDE  
AL - CARGO



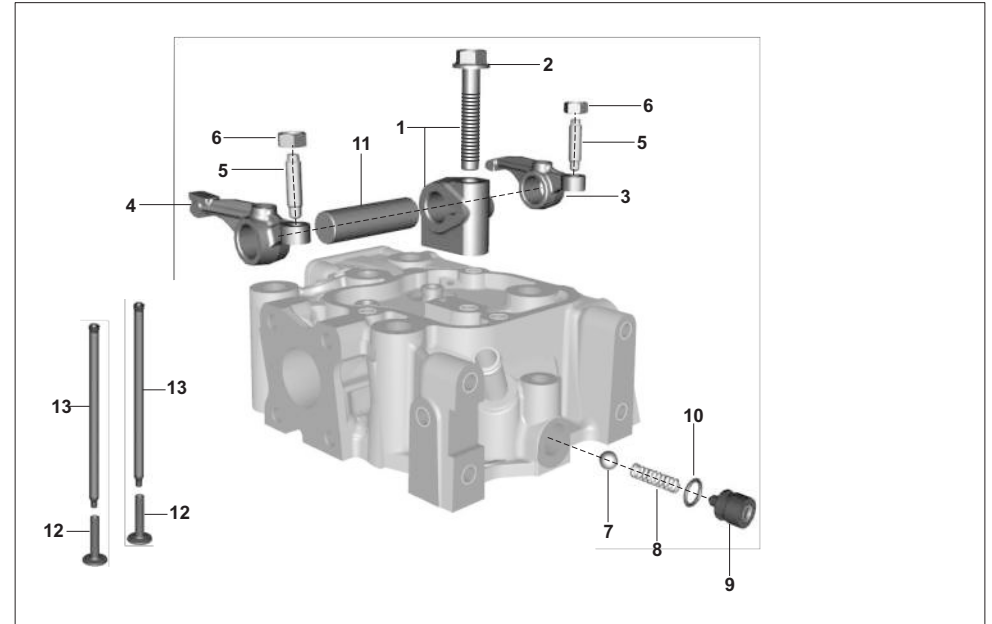
No.	Part No.	Description	BA	BH	BB	AL	Remarks
1	BA102088	Oil Cooler	1	1	1	1	
2	BA102222	Vibro - Isolating Rubber	2	2	2	2	
3	BA102090	Collar - Vibro - Isolating Rubber	3	3	3	3	
4	BA103012	Special washer	4	4	4	4	
5	KADA0620	Bolt	2	2	2	2	
6	BA102305	Spacer	1	1	1	1	
7	BA102235	Tube assembly -1 (Oil)	1	1	1	1	
8	BB103058	Tube oil-cooler to head	1	1	1	1	
9	24121476	Spring clamp Dia	4	4	4	4	
10	BA102096	Cover (oil cooler)	1	1	1	1	
11	59040014	Flanged bolt -cover	2	2	2	2	
12	BA201006	Clamp	1	1	1	1	
13	39155604	Bolt - flange	1	1	1	1	
14	BA122002	Clamp	1	1	1	1	
15	BA102292	Clip guide	2	2	2	2	
16	KADD0630	Bolt flanged	1	1	1	1	
17	BA103671	Plate assly	1	1	1	1	

BA - RE  
BH - MAXIMA Z  
BB - MAXIMA XWIDE  
AL - CARGO



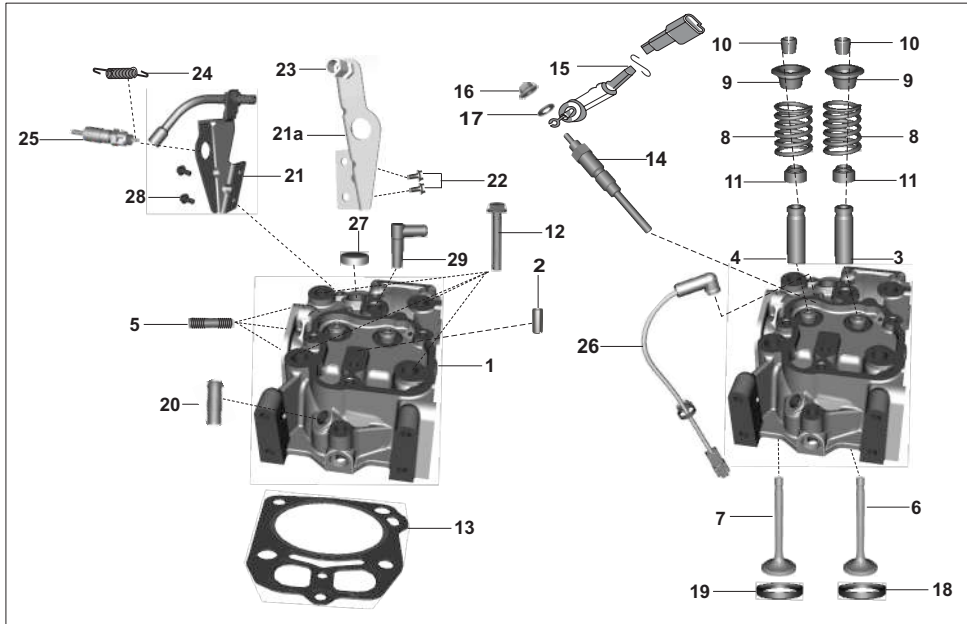
No.	Part No.	Description	BA	BH	BB	AL	Remarks
1	BA102259	Head cover sub assly	1	1	1	1	
2	BA102043	Breather assembly	1	1	1	1	
3	KBBA0510	Screw pan cross	2	2	2	2	
4	KDDB0509	Washer sp thn	2	2	2	2	
5	BA102267	Shaft complete ( decompress)	1	1	1	1	
6	39162011	Plain washer 10 X 20	1	1	1	1	
7	BA102263	Torsion spring (decompress)	1	1	1	1	
8	39156706	Spring dowel sleeve	1	1	1	1	
9	39064517	Circlip (external)	1	1	1	1	
10	BA102047	Decompression Bolt	1	1	1	1	
11	KCAA0504	Hexagon Nut	1	1	1	1	
12	BA102207	Breather pipe joint	1	1	1	1	
13	BA102147	Pipe Clip	1	1	1	1	
14	BA102038	Oil Plug	1	1	1	1	
15	39156221	O Ring	1	1	1	1	
16	BA102042	Gasket head cover	1	1	1	1	
17	KADD0860	Bolt flanged	3	3	3	3	
18	BA102254	Bush - head cover lever decomp.	1	1	1	1	
19	KCAA0403	Nut hex thick	2	2	2	2	
20	KDDB0408	Washer sp thn	2	2	2	2	
21	KBBA0408	Screw pan cross	2	2	2	2	
22	BA102264	Assly head cover	1	1	1	1	
23	36AL0002	Kit Decomp Shaft	1	1	1	1	

BA - RE  
BH - MAXIMA Z  
BB - MAXIMA XWIDE  
AL - CARGO



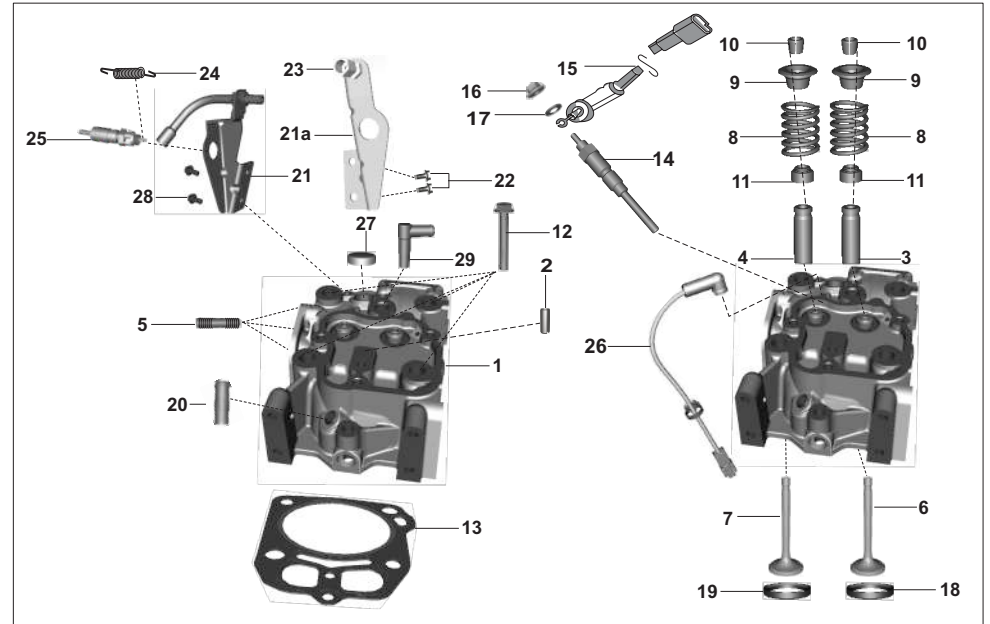
No.	Part No.	Description	BA	BH	BB	AL	Remarks
1	BA102301	Bracket complete rocker	1	1	1	1	
2	LAD00069	Flange bolt M8 X1.25	1	1	1	1	
3	BA102033	Rocker arm inlet	1	1	1	1	
4	BA102034	Rocker arm exhaust	1	1	1	1	
5	BA102279	Adjusting Screw	2	2	2	2	
6	BA102036	Nut	2	2	2	2	
7	KMAA1000	Ball steel	1	1	1	1	
8	BB103056	Spring	1	1	1	1	
9	BB103057	Plug	1	1	1	1	
10	LJA00002	O ring for e - 20	1	1	1	1	
11	BA102303	Shaft rocker arm	1	1	1	1	
12	BA102048	Tappet	2	2	2	2	
13	BB103340	Rod push	2	2	2	2	

BA - RE  
BH - MAXIMA Z  
BB - MAXIMA XWIDE  
AL - CARGO



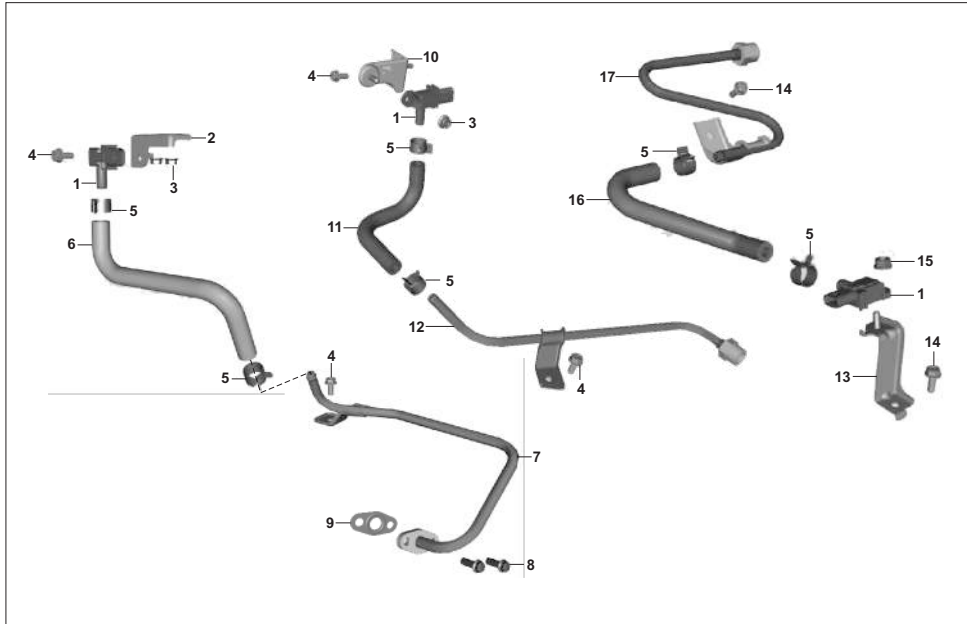
No.	Part No.	Description	BA	BH	BB	AL	Remarks
1	BB103337	Assly cylinder head	1	1	1	1	
2	39156806	Spring dowel sleeve	1	1	1	1	
3	BA102021	Guide Inlet valve	2	2	2	2	
4	BB103457	Guide - valve Exhaust	1	1	1	1	
5	LAJ00026	Bolt stud M8X1.25	3	3	3	3	
6	BA102014	Valve (Inlet)	1	1	1	1	
7	BB103456	Valve exhaust	1	1	1	1	Fr.01.12.18
8	BA102019	Valve spring	2	2	2	2	
8	BB103626	Valve spring	2	2	2	2	Fr.22.04.2022
9	BA102020	Retainer valve spring	2	2	2	2	
10	BA102022	Collet valve spring	4	4	4	4	
11	BB101090	Seal valve stem	2	2	2	2	
12	BA102270	Head bolt	4	4	4	4	
13	BB103046	Gasket cylinder head	1	1	1	1	Modified Fr.22.09.21
13	BB103627	Gasket cylinder head	1	1	1	1	Modified Fr.22.09.21
14	BB111009	Glow Plug	1	1	1	1	
15	BA111006	Cord, Glow Plug	1	1	1	1	
16	39156015	Flange nut	1	1	1	1	
17	39037511	Plain washer	1	1	1	1	
18	BA102025	Seat - valve inlet	1	1	1	1	
19	BA102026	Seat - valve exhaust	1	1	1	1	

BA - RE  
BH - MAXIMA Z  
BB - MAXIMA XWIDE  
AL - CARGO



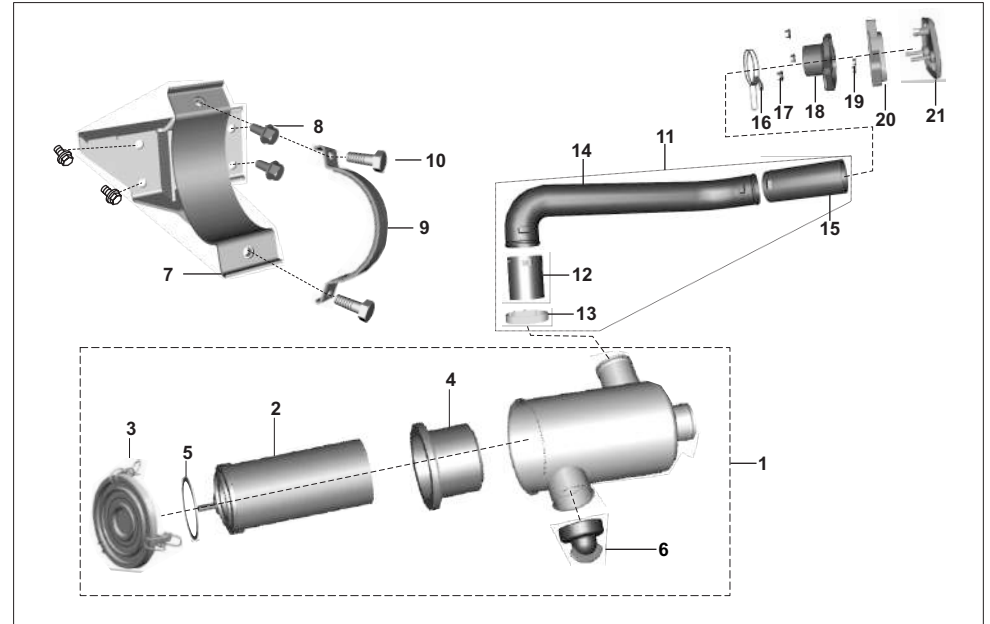
No.	Part No.	Description	BA	BH	BB	AL	Remarks
20	BA102027	Pipe joint	1	1	1	1	
21	BA103605	Bracket Decompressor	1	-	-	-	
21a	BB101176	Bracket decompression	-	1	1	1	
21a	BB103817	Bracket Decompressor	-	1	1	1	Fr.03.11.21
22	39168004	Bolt flanged small	2	2	2	2	
23	BA102277	Adjuster with nut	-	1	1	1	
24	BB103019	Spring stop switch	1	1	1	1	
25	AB201075	Switch (Decomp switch)	1	1	1	1	up to 02.11.21
25	BB201176	Switch Decompression	1	1	1	1	Fr.03.11.21
26	BA111006	Cord, glow plug	1	1	1	1	
27	BA102018	Cap - sealing	1	1	1	1	
28	KADD0614	Flanged bolt	2	2	2	2	
29	BA102244	Pipe joint -Q oil tube	1	1	1	1	
30	36BB0070	Valve Kit - New Ex. Valve DSL	1	1	1	1	
31	BA103034	Tube cable decomp	1	-	-	-	NI
32	KCBD0805	NUT HEX THIN	2	-	-	-	

BA - RE  
BH - MAXIMA Z  
BB - MAXIMA XWIDE  
AL - CARGO



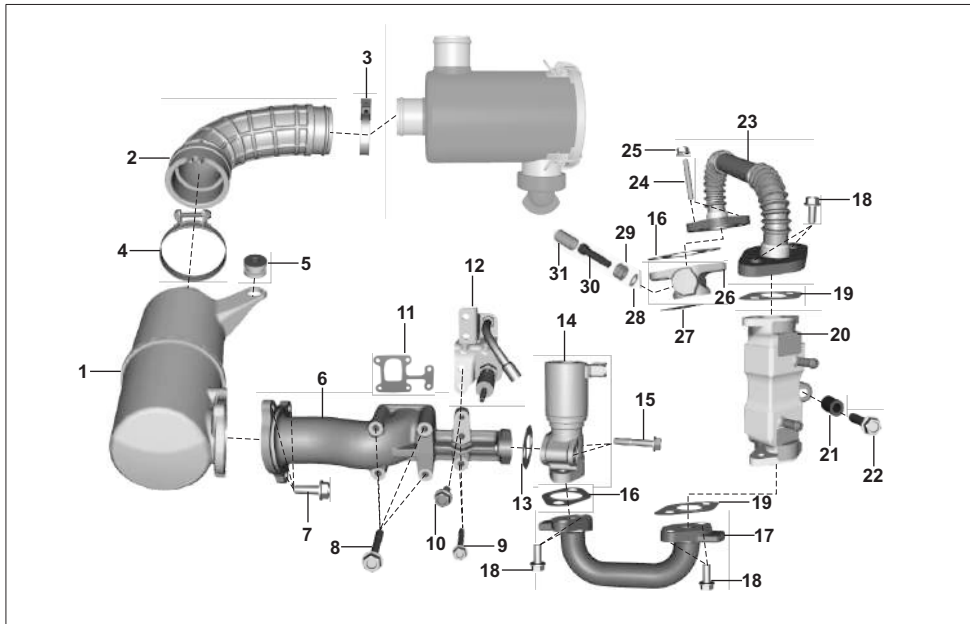
No.	Part No.	Description	BA	BH	BB	AL	Remarks
1	BB201160	Sensor pressure	1	1	1	1	
2	BA103661	Bracket sensor pressure	1	-	-	-	
3	KCGD0606	Nut hex flanged	2	2	-	-	
4	KADD0614	Bolt flanged	2	2	-	-	
5	24121476	Spring clamp dia. 16.8 x W12	2	2	2	2	
6	BA103659	Pipe manifold-sensor pressure II	1	-	-	-	
7	BA103656	Pipe assembly manifold-sensor	1	-	-	-	
8	LAE00067	Bolt flanged M6X1	2	-	-	-	
9	BB103722	Gasket flange	1	-	-	-	
10	BH111224	Bracket sensor pressure	-	1	-	-	
11	BH591027	Pipe manifold-sensor pressure II	-	1	-	-	
12	BH591024	Pipe assembly manifold-sensor	-	1	-	-	
13	BB161391	Bracket assly sensor pressure	-	-	1	1	
14	KADD0616	Bolt flanged	-	-	2	2	
15	DG191064	Nut flanged-m6	-	-	1	1	
16	BB103724	Pipe manifold-sensor pressure II	-	-	1	1	
17	BB103719	Pipe assembly manifold-sensor	-	-	1	1	

BA - RE  
BH - MAXIMA Z  
BB - MAXIMA XWIDE  
AL - CARGO



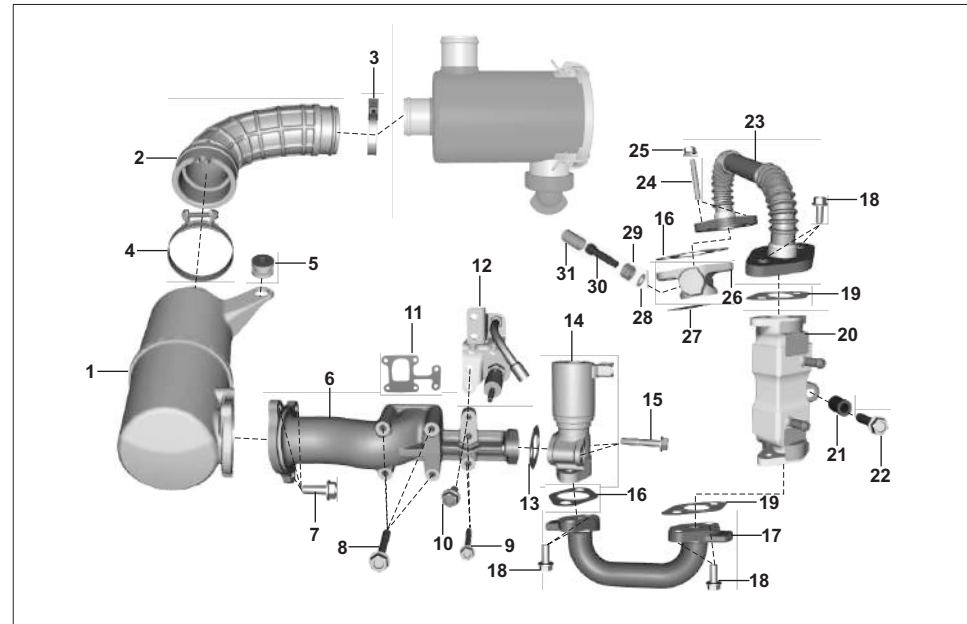
No.	Part No.	Description	BA	BH	BB	AL	Remarks
1	BA103044	Assly air filter	1	-	-	-	
2	BA103045	Element assembly	1	-	-	-	
3	BA103047	Top cover	1	-	-	-	
4	BA103049	Cyclopack	1	-	-	-	
5	BA103048	Gasket cover	1	-	-	-	
6	BA122071	Valve (unloader)	1	-	-	-	
7	BA103009	Bracket air cleaner	1	-	-	-	
8	KADD0816	Bolt flanged	4	-	-	-	
9	BA122075	Air cleaner band assly	1	-	-	-	
10	39039004	Flange bolt	2	-	-	-	
11	BA122239	Pipe assembly chassis-filter air	1	-	-	-	
12	BA122181	Sleeve - rubber hose 1 & 2	2	-	-	-	
13	BA122062	Pipe band-clips	1	-	-	-	
14	BA122180	Hose air-1 ch. to air filter	1	-	-	-	
15	BA122237	Pipe intake air	1	-	-	-	
16	24121749	Clamp	1	-	-	-	
17	KCGD0606	Nut hex flanged	3	-	-	-	
18	AA121381	Pipe intake air	1	-	-	-	
19	KCGD0505	Nut hex flanged-m5x0.8	2	-	-	-	
20	AA121390	Grill intake air inner	1	-	-	-	
21	AA121370	Grill intake air	1	-	-	-	

BA - RE  
BH - MAXIMA Z  
BB - MAXIMA XWIDE  
AL - CARGO



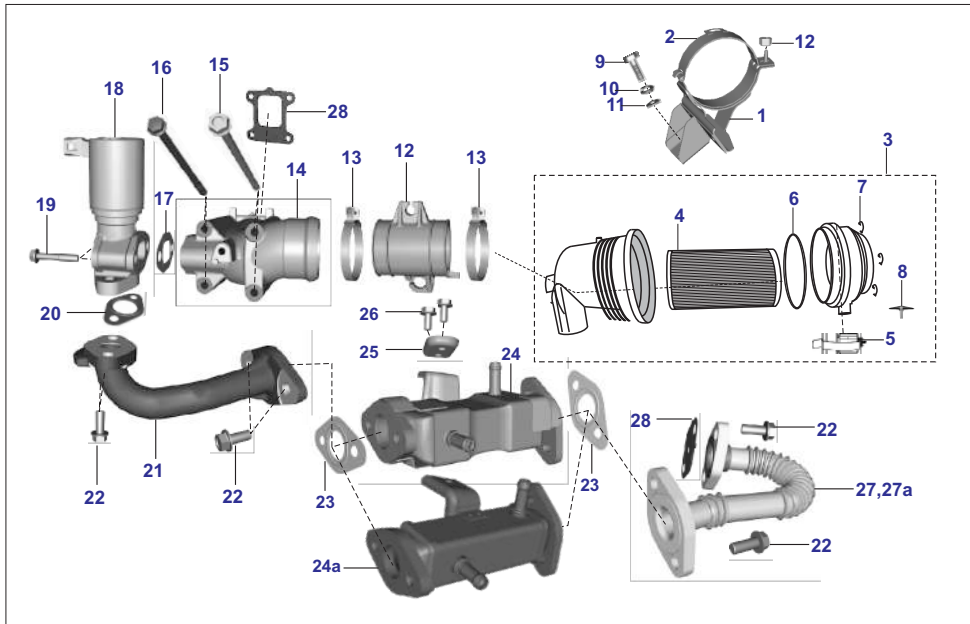
No.	Part No.	Description	BA	BH	BB	AL	Remarks
1	BA103673	Tank assembly surge	1	-	-	-	
2	BA103341	Hose tank surge	1	-	-	-	
3	DH121142	Clamp (DIA 52)	1	-	-	-	
4	AP121064	Clamp	1	-	-	-	
5	JP171058	Sleeve tank mtg rear	1	-	-	-	
6	BA103604	Manifold intake	1	-	-	-	
7	KADD0618	Bolt flanged	3	-	-	-	
8	KADD0660	Bolt flanged	4	-	-	-	
9	KADD0640	Bolt flanged	2	-	-	-	
10	KADD0614	Bolt flanged	1	-	-	-	
11	BA103637	Gasket manifold intake	1	-	-	-	
12	BA103639	Bracket assembly decompressor	1	-	-	-	
12	BA103699	Bracket assembly decompressor	1	-	-	-	Fr.03.11.21
13	BB103648	Gasket valve egr	1	-	-	-	
14	BB103634	Valve egr	1	-	-	-	
14	BB103783	Valve egr	1	-	-	-	
15	KADF0850	Bolt flanged	2	-	-	-	
16	BB103671	Gasket valve egr inlet	2	-	-	-	
17	BA103668	Manifold valve egr	1	-	-	-	
18	KADD0820	Bolt flanged	6	-	-	-	
19	BB103647	Gasket cooler egr	2	-	-	-	
20	BA103608	Cooler egr NS	1	-	-	-	Alt- BA103686+BA103687

BA - RE  
BH - MAXIMA Z  
BB - MAXIMA XWIDE  
AL - CARGO



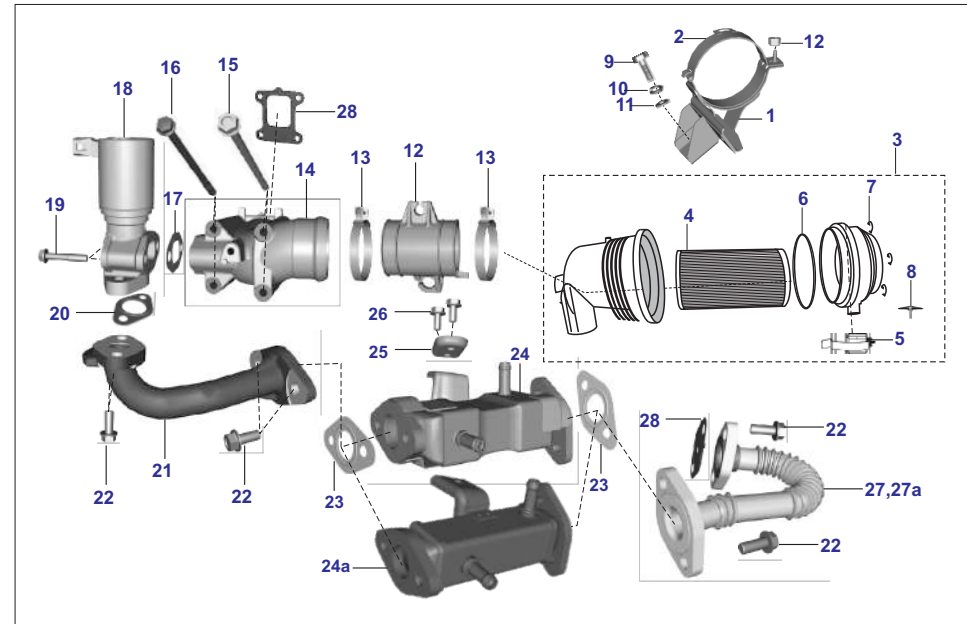
No.	Part No.	Description	BA	BH	BB	AL	Remarks
20	BA103686	Cooler egr	1	-	-	-	Fr. 30.10.21
21	GL113841	Bush	1	-	-	-	
22	KADD0845	Bolt Stud	2	-	-	-	
23	BA103609	Pipe assy cooler egr-manifold	1	-	-	-	
23	BA103687	Pipe assy cooler egr-manifold	1	-	-	-	
24	KAJA0845	Bolt stud	2	-	-	-	
25	KCGD0808	Nut hex flanged	2	-	-	-	
26	BA103669	Boss	1	-	-	-	
27	BA103651	Gasket cooler egr inlet	1	-	-	-	
28	LDA00051	Washer plain	1	-	-	-	
29	LCA00027	Nut hex thick	1	-	-	-	
30	LAC00163	Bolt socket M12X1.25	1	-	-	-	
31	BA103676	Cap	1	-	-	-	

BA - RE  
BH - MAXIMA Z  
BB - MAXIMA XWIDE  
AL - CARGO



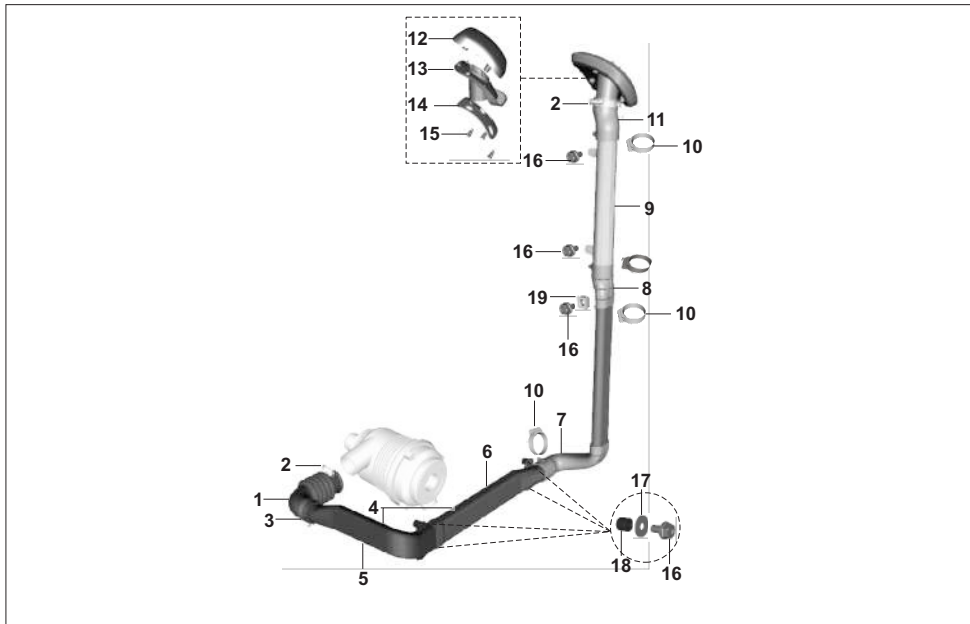
No.	Part No.	Description	BA	BH	BB	AL	Remarks
1	BG581000	Bracket air filter	-	1	-	-	
1	BB103101	Bracket air filter	-	-	1	1	
2	BB103729	Assembly Clamp filter air	-	1	1	1	
3	BB103770	Filter assembly air	-	1	1	1	
4	AL121062	Element Air Filter	-	1	1	1	
5	AL121070	Cover a/f	-	1	1	1	
6	AL121068	Seal ring flat	-	1	1	1	
7	AL121069	Clamp flat	-	3	3	3	
8	BB121029	Flap air intake	-	1	1	1	
9	39251704	Bolt - hexagon head - M8	-	3	3	3	
10	KDDB0815	Washer spring thin	-	3	3	3	
11	39118011	Washer	-	3	3	3	
12	39197015	Hex nut/flange-M8	-	1	1	1	
12	BB103646	Duct manifold intake	-	1	1	1	
13	AP121064	Clamp	-	2	2	2	
14	BB103644	Manifold intake	-	1	1	1	
15	LAD00150	Bolt flanged-M6	-	2	2	2	
16	KAED06B5	Bolt flang smal-M6	-	2	2	2	
17	BB103648	Gasket valve EGR	-	1	1	1	
18	BB103634	Valve EGR	-	1	1	1	
18	BB103783	Valve EGR	-	1	1	1	
19	KADD0850	Bolt flanged	-	2	2	2	

BA - RE  
BH - MAXIMA Z  
BB - MAXIMA XWIDE  
AL - CARGO



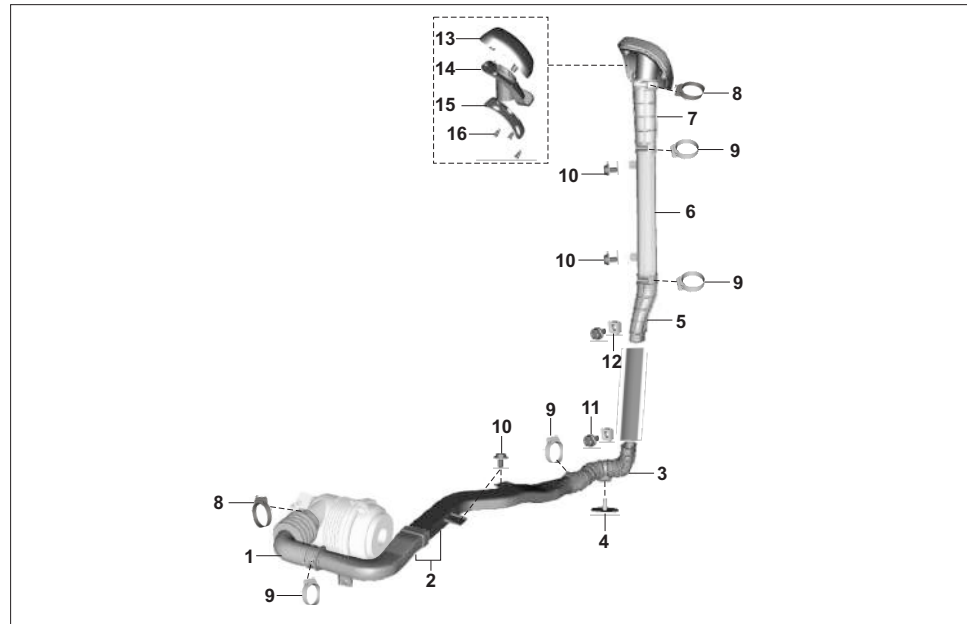
No.	Part No.	Description	BA	BH	BB	AL	Remarks
20	BB103671	Gasket valve egr inlet	-	1	1	1	
21	BB103765	Manifold valve EGR	-	1	1	1	
22	KADD0820	Bolt flanged	-	8	8	8	
23	BB103647	Gasket cooler EGR	-	2	2	2	
24	BB103633	Cooler EGR	-	1	1	1	NS Alt- 24a & 27a
24a	BB103795	Cooler EGR	-	1	1	1	fr. 30.07.20
25	BH591028	Bracket	-	1	1	1	
26	KADD0614	Bolt flanged	-	2	2	2	
27	BB103637	Pipe assembly outlet	-	1	1	1	
27a	BB103796	Pipe assembly outlet	-	1	1	1	fr. 30.07.20
28	BB103055	Gasket manifold	-	1	1	1	

BA - RE  
BH - MAXIMA Z  
BB - MAXIMA XWIDE  
AL - CARGO



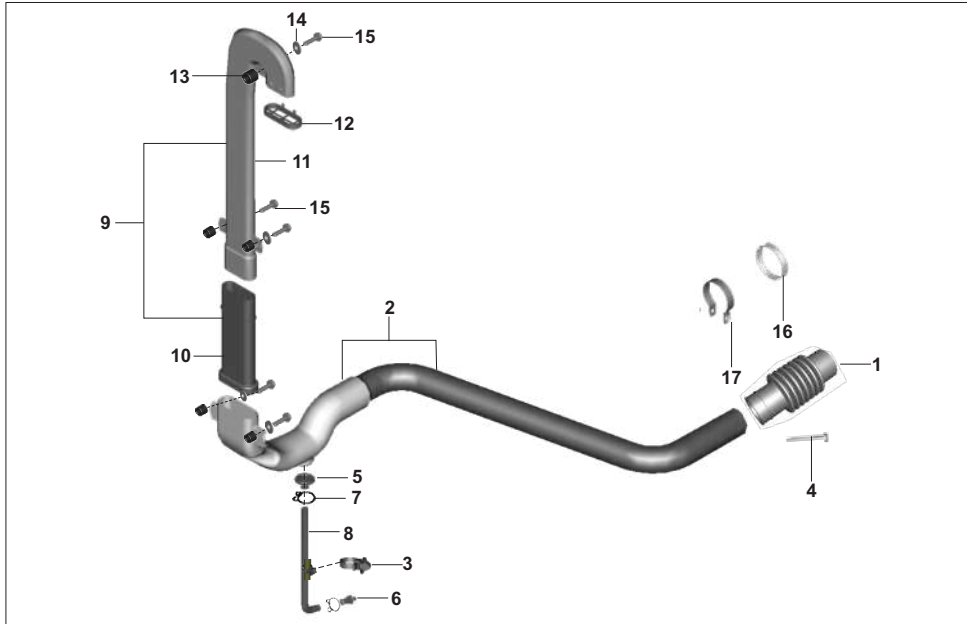
No.	Part No.	Description	BA	BH	BB	AL	Remarks
1	BH581021	Tube air intake	-	1	-	-	
2	BB131040	Hose clamp - dia.60	-	2	-	-	
3	AL121019	Clip - air pipe	-	1	-	-	
4	BH581016	Assembly air intake pipe	-	1	-	-	
5	BH581014	Pipe air intake-l	-	1	-	-	
6	BH581019	Pipe air intake-2	-	1	-	-	
7	BH581023	Elbow rubber lower	-	1	-	-	
8	BH581024	Elbow rubber upper	-	1	-	-	
9	AZ581018	Pipe air intake upper	-	1	-	-	
10	24170431	Hose clip	-	3	-	-	
11	BH581025	Elbow rubber top	-	1	-	-	
12	AZ185001	Grill air intake snorkel top	-	1	-	-	
13	AZ185002	Grill air intake snorkel btm	-	1	-	-	
14	AZ185003	Packing snorkel cover	-	1	-	-	
15	KADT0620	Bolt flanged-m6	-	3	-	-	
16	KADD0612	Bolt flanged	-	7	-	-	
17	BG581404	Damper rubber	-	4	-	-	
18	39081411	Plain washer	-	4	-	-	
19	BH581010	Clip elbow lower end	-	1	-	-	
20	BH581016	Assembly air intake pipe	-	1	-	-	NI

BA - RE  
BH - MAXIMA Z  
BB - MAXIMA XWIDE  
AL - CARGO



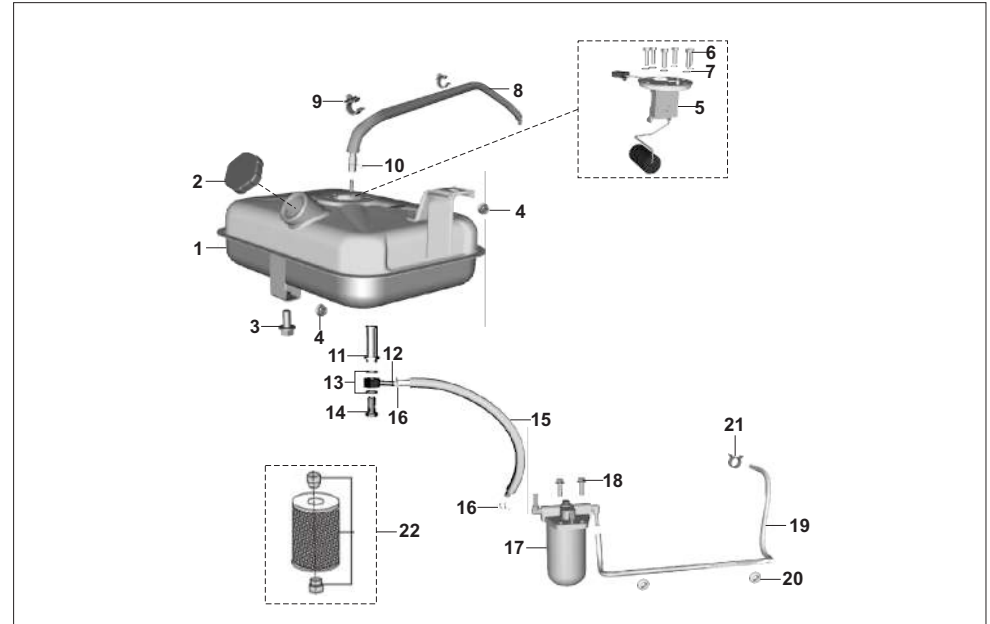
No.	Part No.	Description	BA	BH	BB	AL	Remarks
1	BB121113	Tube air intake	-	-	1	-	
2	BB121112	Assembly air intake	-	-	1	-	
3	BB103419	Elbow assembly bottom	-	-	1	-	
4	BB121109	Rubber flap drain	-	-	1	-	
5	BB121107	Rubber elbow lower end	-	-	1	-	
6	AZ581018	Pipe air intake upper	-	-	1	-	
7	BB121108	Rubber elbow top end	-	-	1	-	
8	BB131040	Hose clamp - DIA.60	-	-	2	-	
9	24170431	Hose clip	-	-	4	-	
10	LAG00007	Bolt wp-M6	-	-	5	-	
11	KADF0612	Bolt flanged	-	-	2	-	
12	BH581010	Clip elbow lower end	-	-	2	-	
13	BH185001	Grill air intake snorkel top	-	-	1	-	
14	BH185002	Grill air intake snorkel bottom	-	-	1	-	
15	BH185003	Packing snorkel	-	-	1	-	
16	KADT0620	Bolt flanged	-	-	3	-	

BA - RE  
BH - MAXIMA Z  
BB - MAXIMA XWIDE  
AL - CARGO



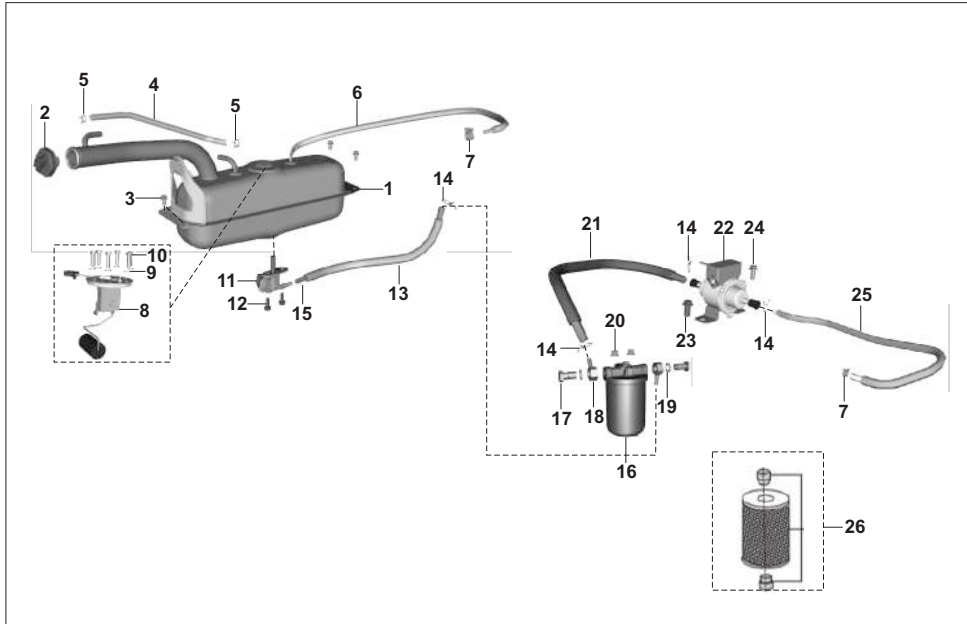
No.	Part No.	Description	BA	BH	BB	AL	Remarks
1	AL121075	Tube air intake (H TO F)	-	-	-	1	
2	AL103000	Assly air intake z pipe	-	-	-	1	
3	60111420	Cable tie lock	-	-	-	1	
4	KBBA0650	Screw pan cross	-	-	-	1	
5	AL103003	Plug drain	-	-	-	1	
6	DS121126	Plug	-	-	-	1	
7	DP121025	Clamp	-	-	-	2	
8	JA581012	Tube drain	-	-	-	1	
9	BG581400	Assy air intake-top	-	-	-	1	
10	BG581402	Hose air intake-bottom	-	-	-	1	
11	BG581401	Hose air intake-top	-	-	-	1	
12	BG581405	Mesh air intake	-	-	-	1	
13	BG581404	Damper rubber	-	-	-	5	
14	39081411	Plain washer	-	-	-	5	
15	KADF0625	Hex bolt	-	-	-	5	
16	BB131040	Hose clamp - dia.60	-	-	-	1	
17	AL121019	Clip - air pipe	-	-	-	1	

BA - RE  
BH - MAXIMA Z  
BB - MAXIMA XWIDE  
AL - CARGO



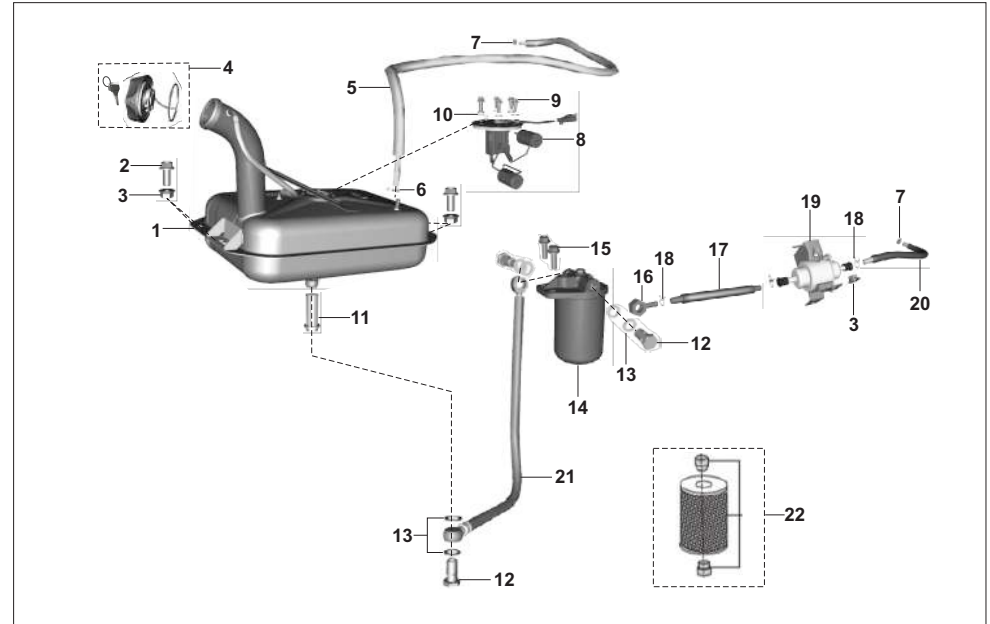
No.	Part No.	Description	BA	BH	BB	AL	Remarks
1	BA141058	Assembly fuel tank weld	1	-	-	-	
2	BH171601	Assembly fuel cap	1	-	-	-	
3	KADD0816	Bolt flanged	1	-	-	-	
4	KCGD0808	Nut hex flanged	2	-	-	-	
5	AA201363	Tank unit (Fuel)	1	-	-	-	
6	LAD00067	Bolt flanged-M5	6	-	-	-	
7	KDAB0611	Washer plain small	6	-	-	-	
8	BA141076	Pipe assembly overflow	1	-	-	-	
9	JL113828	Clamp sai hose mtg	2	-	-	-	
10	24141153	Clamp	1	-	-	-	
11	BA141013	Strainer fuel	1	-	-	-	
12	AL121020	Joint	1	-	-	-	
13	BA122143	Washer - copper- spare part	2	-	-	-	
14	BA141017	Bolt - banjo	1	-	-	-	
15	BA141074	Pipe assembly tank fuel-filter	1	-	-	-	
16	33141007	Clamp	4	-	-	-	
17	BA103653	Filter fuel	1	-	-	-	
18	KADD0825	Bolt flanged	2	-	-	-	
19	BA141080	Pipe filter-pump	1	-	-	-	
20	22190237	Grommet	2	-	-	-	
21	BA141034	Clamp	1	-	-	-	
22	BA122086	Fuel Filter element	1	-	-	-	NI PM Part

BA - RE  
BH - MAXIMA Z  
BB - MAXIMA XWIDE  
AL - CARGO



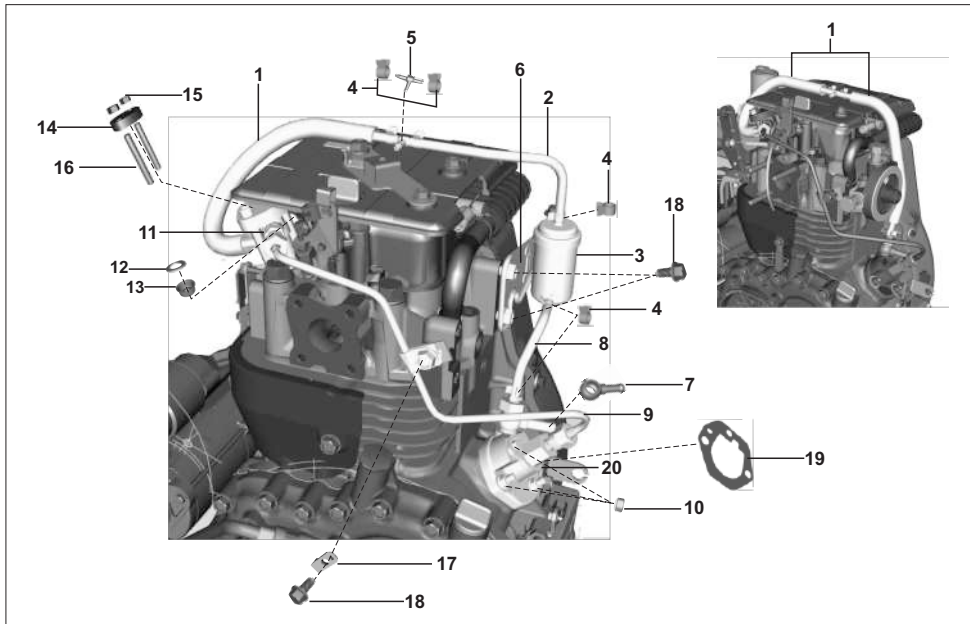
No.	Part No.	Description	BA	BH	BB	AL	Remarks
1	BH171018	Tank assembly- new	-	1	-	-	
2	BH171602	Cap fuel tank diesel	-	1	-	-	
3	KADD0816	Bolt flanged	-	4	-	-	
4	BH171813	Pipe fuel breather	-	1	-	-	
5	DS101234	Spring clip	-	2	-	-	
6	BH171827	Pipe assembly overflow	-	1	-	-	
7	AA141046	Spring band clip 7.8 MM	-	4	-	-	
8	BH402607	Sensor level fuel	-	1	-	-	
9	KDAB0611	Washer plain small	-	6	-	-	
10	LAD00067	Bolt flanged-M5	-	6	-	-	
11	AY171812	Tap fuel	-	1	-	-	
12	DD141227	Bolt - flanged	-	2	-	-	
13	BH171831	Pipe assembly tank-filter	-	1	-	-	
14	33141007	Clamp	-	4	-	-	
15	33141008	Clamp	-	1	-	-	
16	BB121043	Filter fuel	-	1	-	-	
17	BA141017	Bolt - banjo	-	2	-	-	
18	AL121020	Joint	-	2	-	-	
19	BA122143	Washer - copper- spare part	-	4	-	-	
20	KCGA0808	Nut hex flanged	-	2	-	-	
21	BH171821	Assembly pipe filter to pump	-	1	-	-	
22	AL201034	Pump assembly fuel	-	1	-	-	
23	KAED0816	Bolt-flanged-small	-	1	-	-	
24	KADD0616	Bolt flanged	-	1	-	-	
25	BH171824	Pipe assembly pump-engine	-	1	-	-	
26	<b>BB121050</b>	<b>Fuel Filter Element</b>	-	<b>1</b>	-	-	<b>NI PM Part</b>

BA - RE  
BH - MAXIMA Z  
BB - MAXIMA XWIDE  
AL - CARGO



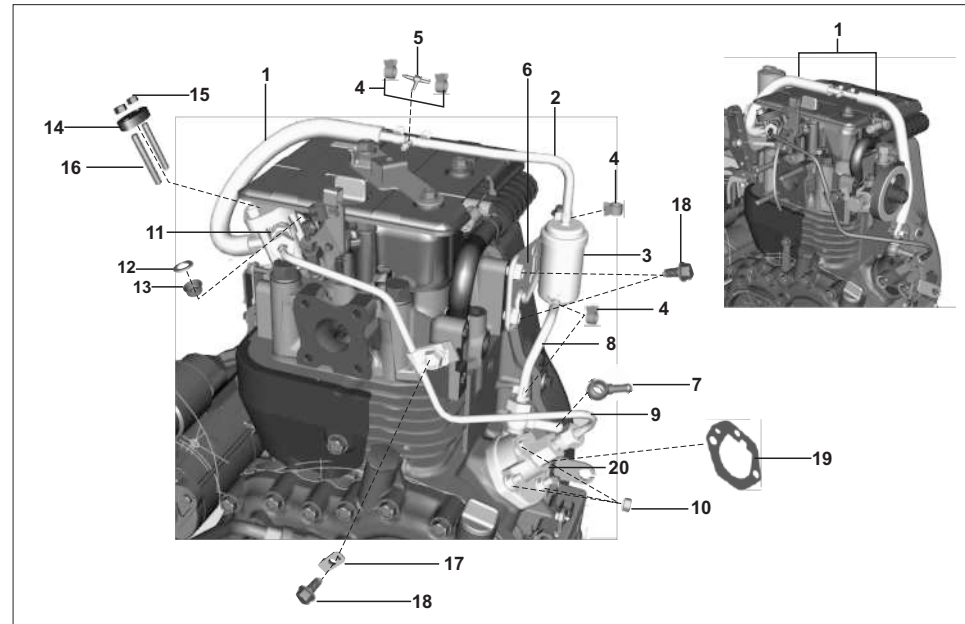
No.	Part No.	Description	BA	BH	BB	AL	Remarks
1	BB141081	Tank assembly-WB	-	-	1	1	
2	KADD0820	Bolt flanged	-	-	4	4	
3	KCGD0808	Nut hex flanged	-	-	5	5	
4	36AL0014	Lock fuel tank cap w/o key	-	-	1	1	
5	BB141087	Pipe assembly fuel	-	-	1	1	
6	24141153	Clamp	-	-	1	1	
7	AA141046	Spring band clip 7.8 MM	-	-	2	2	
8	AA201363	Sensor level fuel	-	-	1	1	
9	LAD00067	Bolt flanged-M5	-	-	6	6	
10	KDAB0611	Washer plain small	-	-	6	6	
11	BA141013	Fuel stainer	-	-	1	1	
12	BA141017	Bolt - banjo	-	-	3	3	
13	BA122143	Washer - copper- spare part	-	-	6	6	
14	BB121043	Filter fuel	-	-	1	1	
15	KADD0825	Bolt flanged	-	-	2	2	
16	AL121020	Joint	-	-	1	1	
17	BB141033	Pipe assly fuel filter-pump	-	-	1	1	
18	33141007	Clamp	-	-	3	3	
19	AL201034	Pump assembly fuel	-	-	1	1	
20	BB141038	Pipe assy feed pump - injector	-	-	1	1	
21	AL141054	Pipe tank to filter	-	-	1	1	
22	<b>BB121050</b>	<b>Fuel Filter element</b>	-	-	<b>1</b>	<b>1</b>	<b>NI PM Part</b>

BA - RE  
BH - MAXIMA Z  
BB - MAXIMA XWIDE  
AL - CARGO



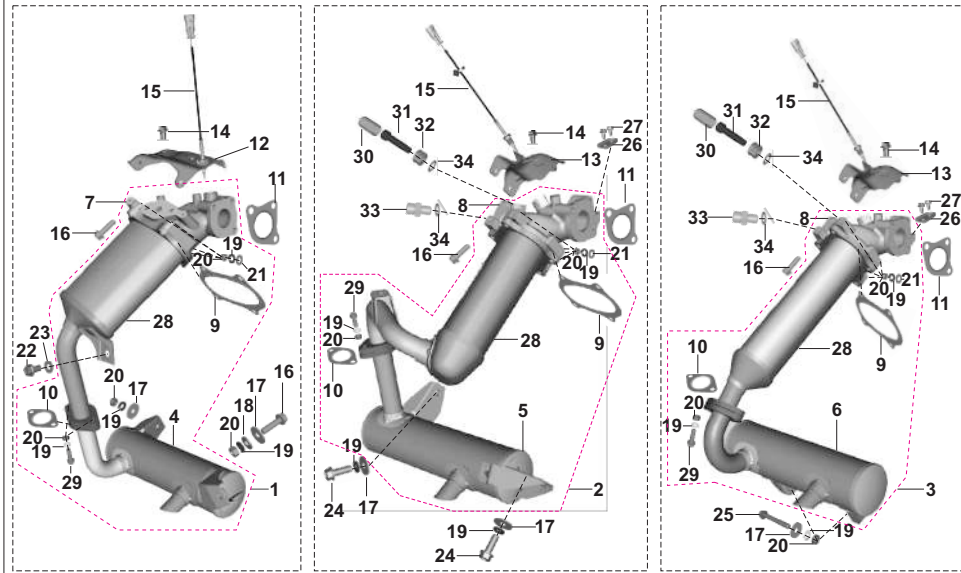
No.	Part No.	Description	BA	BH	BB	AL	Remarks
1	BB122225	Fuel overflow pipe	1	2	2	2	
2	BA103024	Pipe reservoirs to T joint	1	-	-	-	
3	BA103022	Reservoir fuel	1	-	-	-	
4	AA141046	Spring band clip 7.8 MM	6	4	4	4	
5	BA141033	T joint	1	1	1	1	
6	ba103340	Assembly bracket reservoir	1	-	-	-	
7	BB121099	Joint FIP	1	1	1	1	
8	BA103017	Pipe res. To fip banjo	1	-	-	-	
9	BB103343	Pipe high pressure	1	1	1	1	
10	DG191064	Nut flanged-M6	3	3	3	3	
11	BB121094	Nozzle holder assly (Bosch)	1	1	1	1	
12	BA122011	Packing	1	1	1	1	
13	BA122012	Seal heat	1	1	1	1	
14	BA122013	Clamp (Nozzle)	1	1	1	1	
15	kcad0806	Hexagon nut	2	2	2	2	
16	39226405	Stud - (injector)	2	2	2	2	
17	BA122014	Clamp assly	1	1	1	1	
18	kadd0816	Flange bolt	3	3	3	3	
19	BB103132	Shim fip nbr	2	1	1	1	
20	BB103043	Pump assly Injection	1	1	1	1	
21	BB103125	Shim fip-0.4 mm	1	1	1	1	
21	BB103126	Shim fip-0.45 mm	1	1	1	1	

BA - RE  
 BH - MAXIMA Z  
 BB - MAXIMA XWIDE  
 AL - CARGO



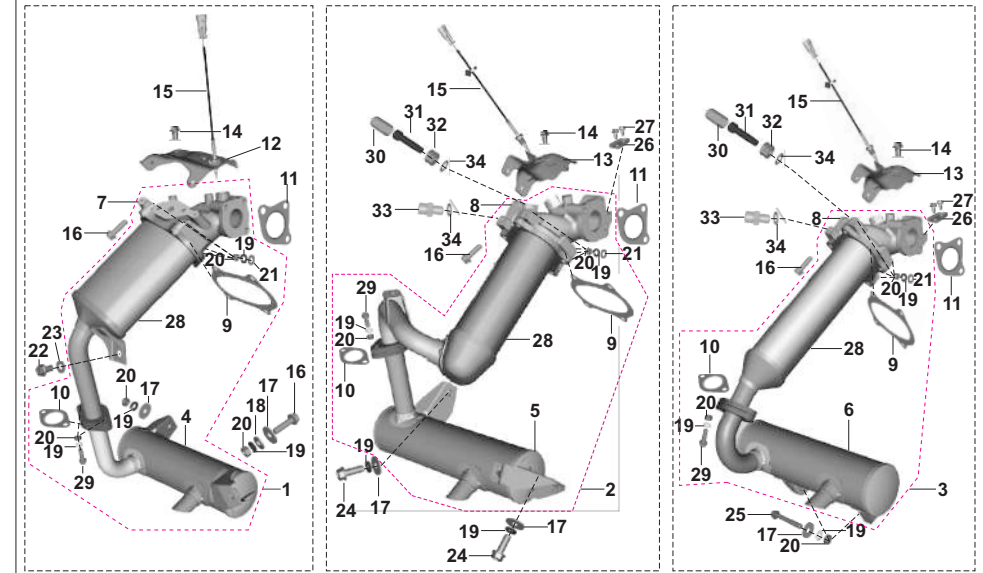
No.	Part No.	Description	BA	BH	BB	AL	Remarks
21	BB103127	Shim fip-0.5 mm	1	1	1	1	
21	BB103128	Shim fip-0.55 mm	1	1	1	1	
21	BB103129	Shim fip-0.6 mm	1	1	1	1	
21	BB103463	Shim fip 0.3 thk	-	1	1	1	
21	BB103464	Shim fip 0.35 thk	-	1	1	1	

BA - RE  
 BH - MAXIMA Z  
 BB - MAXIMA XWIDE  
 AL - CARGO



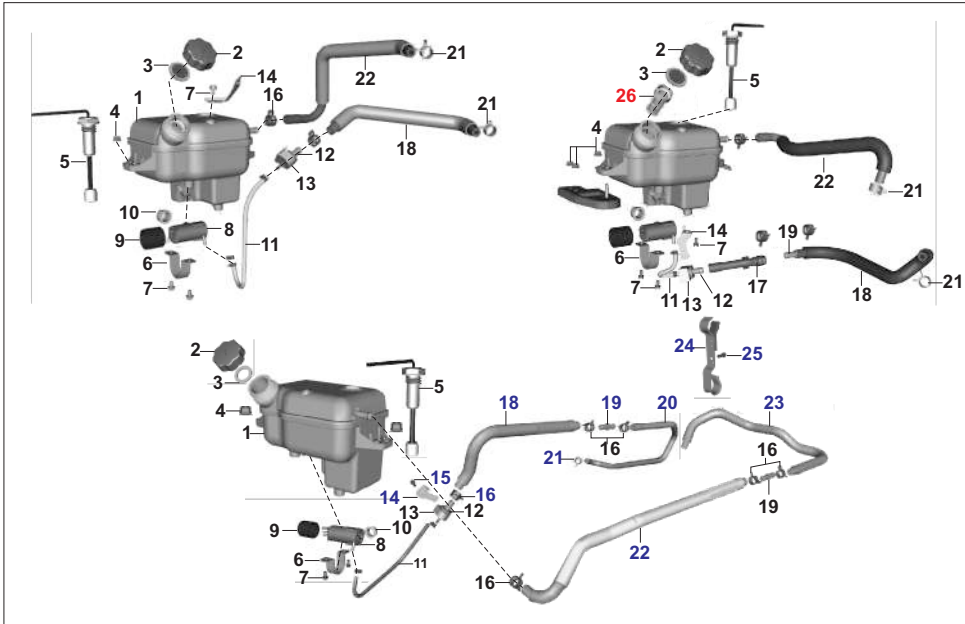
No.	Part No.	Description	BA	BH	BB	AL	Remarks
1	BA103628	Silencer assembly	1	-	-	-	
2	BH591006	Silencer assembly	-	1	-	-	
3	BB103649	Silencer assembly	-	-	1	1	
4	BA103622	Muffler assembly	1	-	-	-	
5	BH591007	Muffler assembly	-	1	-	-	
6	BB103658	Muffler assembly	-	-	1	1	
7	BA103611	Manifold exhaust	1	-	-	-	
7	BA103730	Manifold exhaust	1	-	-	-	Fr. 30.08.21
8	BB103645	Manifold exhaust	-	1	1	1	
8	BH591052	Manifold exhaust	-	1	1	1	Fr. 30.08.21
8	BB109045	Manifold exhaust	-	1	1	1	Fr. 18.09.21
9	BB103650	Gasket catalyst	1	1	1	1	
10	BB103382	Gasket exhaust	1	1	1	1	
11	BB103357	Gasket exhaust manifold	1	1	1	1	
12	BA103667	Shield	1	-	-	-	
13	BB103750	Shield	-	1	1	1	
13	BB109047	Shield	-	1	1	1	Fr. 30.08.21
14	KAED0610	Bolt-flanged-small	4	4	4	4	
15	BB201144	Sensor temperature	1	1	1	1	
16	KADD0830	Bolt flanged	7	6	6	6	
17	LDB00021	Washer plain-iD	2	2	2	2	

BA - RE  
 BH - MAXIMA Z  
 BB - MAXIMA XWIDE  
 AL - CARGO



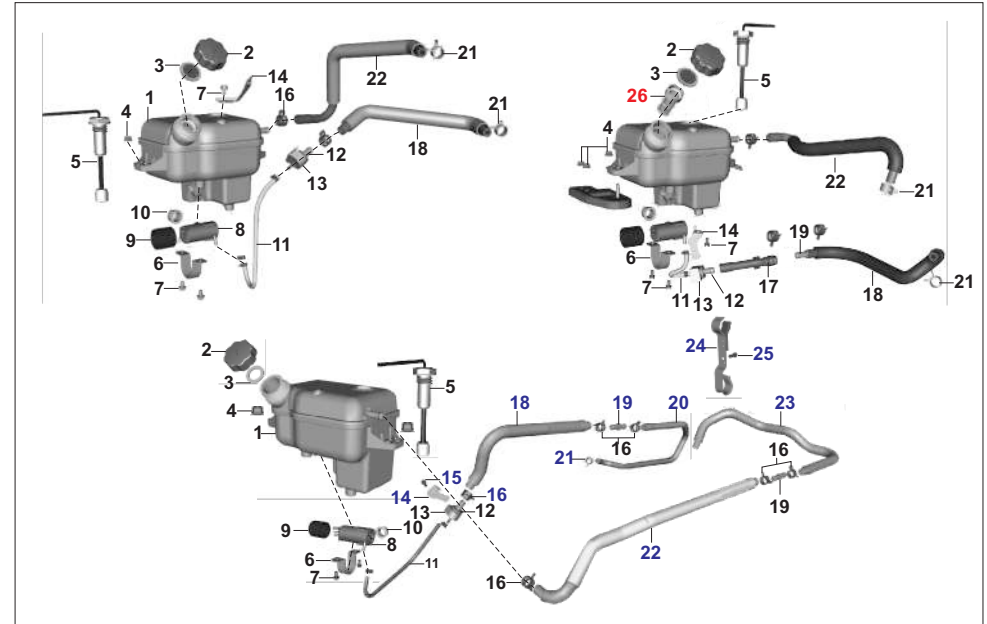
No.	Part No.	Description	BA	BH	BB	AL	Remarks
18	39118011	Washer	1	1	1	1	
19	KDDB0815	Washer sp thn	7	7	2	2	
20	KCAD0806	Nut hex thick	6	6	6	6	
21	39020011	Plain washer	3	3	3	3	
22	KADD0816	Bolt flanged	1	-	-	-	
23	KDBA0818	Washer plain	1	-	-	-	
24	KADD0825	Bolt flanged	-	2	-	-	
25	KADD0860	Bolt flanged	-	-	2	2	
26	BH591028	Bracket	-	1	1	1	
27	KADD0614	Bolt flanged	-	2	2	2	
28	BA103665	Assembly catalyst-manifold	1	-	-	-	NS
28	BH591013	Catalyst assembly	-	1	-	-	NS
28	BB103651	Catalyst assembly	-	-	1	1	NS
29	LAD00267	Bolt flanged M8X1.25	2	2	2	2	
30	BA103676	Cap	-	1	1	1	
31	LAC00163	Bolt	-	1	1	1	
32	LCA00027	Nut m12x1.25	-	1	1	1	
33	LAA00063	Adapter	-	1	1	1	
34	LDA00051	Washer plain	-	2	2	2	

BA - RE  
 BH - MAXIMA Z  
 BB - MAXIMA XWIDE  
 AL - CARGO



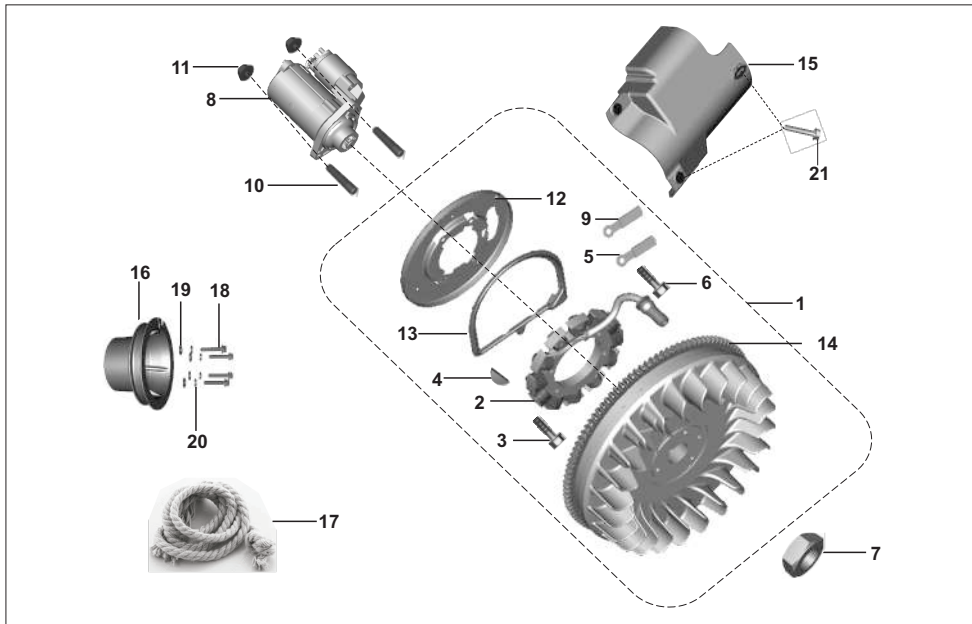
No.	Part No.	Description	BA	BH	BB	AL	Remarks
1	BB103676	Tank coolant	1	1	1	1	Fr.03.03.22
2	AZ171006	Assembly cap fuel tank	1	1	1	1	
3	CS141005	Washer cap fuel tank	1	1	1	1	
4	DG191064	Nut flanged-M6	2	4	2	2	
5	AP201006	Switch oil sensor	1	1	1	1	
5	BB201175	Sensor Level coolant	1	1	1	1	
6	BB103679	Clamp	1	1	1	1	
7	KADD0610	Bolt flanged	3	-	-	-	
7	KAED0610	Bolt-flanged-small	-	3	2	2	
8	EC202206	Motor water tank	1	1	1	1	
9	BB103680	Bush	1	1	1	1	
10	BF202210	Grommet pump motor	1	1	1	1	
11	BA103648	Pipe pump-cooler egr I	1	-	-	-	
11	BH601003	Pipe coolant	-	1	-	-	
11	BB103711	Pipe coolant	-	-	1	1	
12	BB103749	Valve non return	1	1	1	1	
13	JH171048	Grommet purge valve	1	1	1	1	
14	BA103670	Bracket valve non return	1	-	-	-	
14	BH601008	Bracket valve non return	-	1	-	-	
14	JF113838	Bracket purge valve mtg - K16B	-	-	1	1	

BA - RE  
BH - MAXIMA Z  
BB - MAXIMA XWIDE  
AL - CARGO



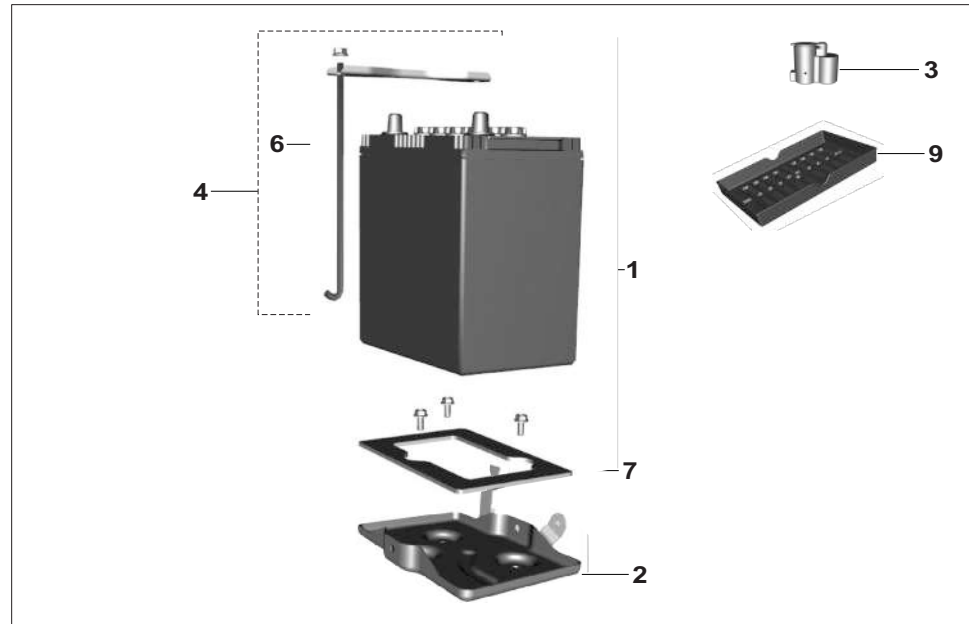
No.	Part No.	Description	BA	BH	BB	AL	Remarks
15	KAED0612	Bolt-flanged-small	-	-	1	1	
16	BF601014	Clamp hose bypass	6	6	6	6	
17	BB103781	Pipe coolant	-	1	-	-	
18	BA103662	Pipe assembly coolant inlet	1	-	-	-	
18	BH601006	Pipe assembly coolant inlet	-	1	-	-	
18	BB103735	Pipe assembly coolant inlet	-	-	1	1	
19	BB103738	Joint	-	2	2	2	
20	BB103745	Pipe assembly coolant II	-	-	1	1	
21	JL581066	Clamp sai pipe	-	-	2	2	
22	BA103663	Pipe assembly coolant outlet	1	-	-	-	
22	BH601007	Pipe assembly coolant outlet	-	1	-	-	
22	BB103736	Pipe assembly coolant outlet	-	-	1	1	
23	BB103744	Pipe assembly coolant I	-	-	1	1	
24	BB103718	Clamp assembly	-	-	1	1	
25	KAED0616	Bolt-flanged-small	-	-	2	2	
26	AP121043	Strainer oil	-	1	-	-	

BA - RE  
BH - MAXIMA Z  
BB - MAXIMA XWIDE  
AL - CARGO



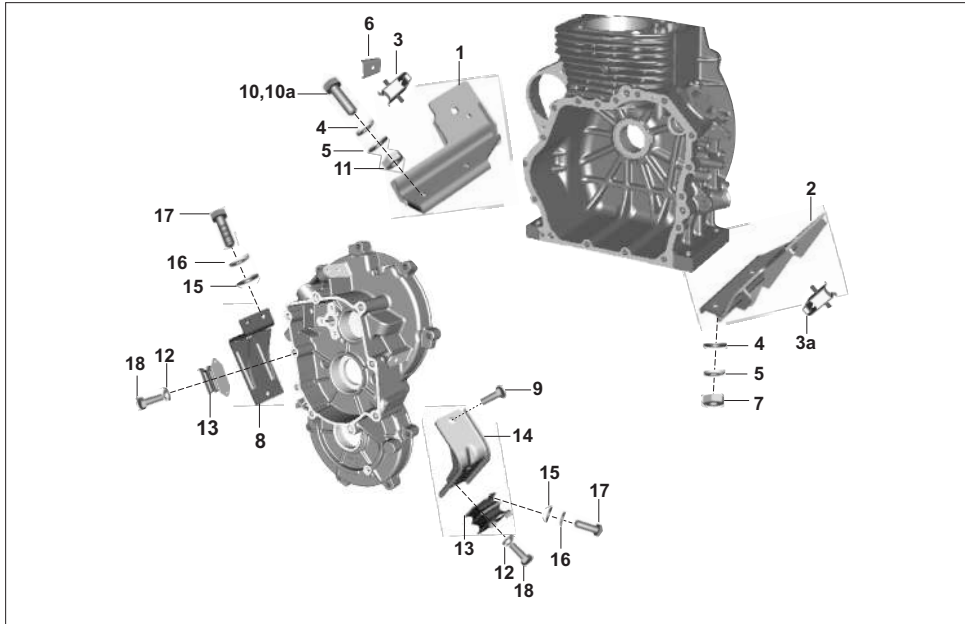
No.	Part No.	Description	BA	BH	BB	AL	Remarks
1	BB111014	Alternator -1phase	1	1	1	1	
2	BA111023	Assembly stator (single phase)	1	1	1	1	
3	KADD0622	Bolt flanged	4	4	4	4	
4	BA102099	Key woodruff	1	1	1	1	
5	BA201006	Clamp	1	1	1	1	
6	KADD0612	Bolt flanged	1	1	1	1	
7	BA102100	Nut (Flywheel)	1	1	1	1	
8	BG351602	Starter Motor	1	1	1	1	
8	BG351603	Starter Motor-TVS	1	1	1	1	
9	BA201006	Clamp	4	4	4	4	
10	39163505	Stud	2	2	2	2	
11	39197015	Nut - Hexagon with flange-M8	2	2	2	2	
12	BA102216	Cover - dust (alteranator)	1	1	1	1	
13	BA102215	Seal	1	1	1	1	
14	BA111016	Ring gear	1	1	1	1	
15	BB103686	Cover motor starter	-	1	1	1	
16	AL101029	Pulley	-	-	1	1	
17	AL101030	Pulley rope	-	-	1	1	
18	AL101038	Bolt pre-coating	-	-	4	4	
19	KDBA0613	Washer_plain	-	4	4	4	
20	KDDB0612	Washer spring thin	-	4	4	4	
21	KADF0616	Bolt flanged	-	2	2	2	

BA - RE  
BH - MAXIMA Z  
BB - MAXIMA XWIDE  
AL - CARGO



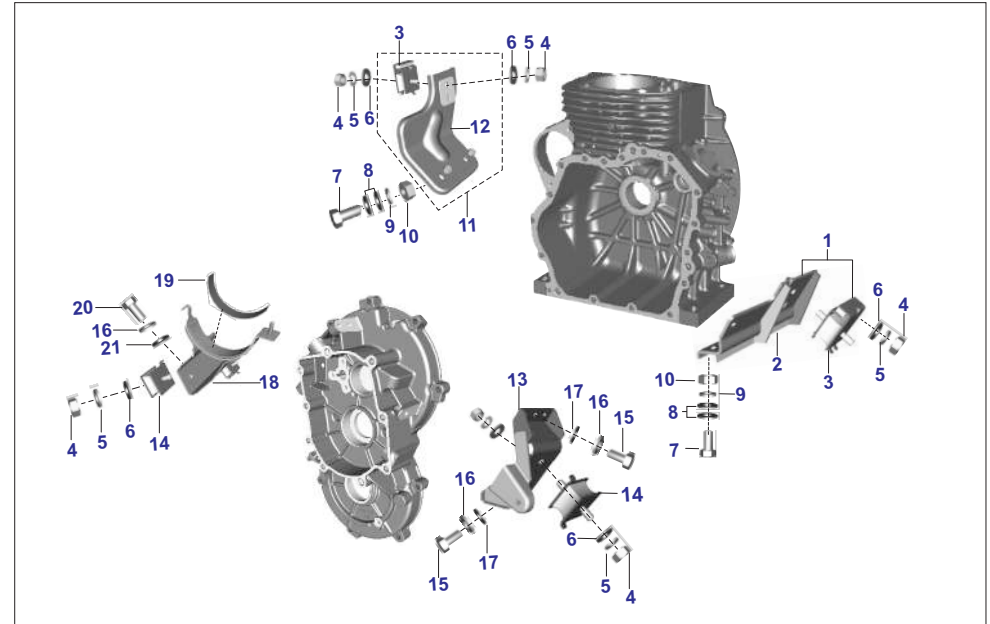
No.	Part No.	Description	BA	BH	BB	AL	Remarks
1	BA201001	Battery	1	1	1	1	NS
2	BH111222	Tray assembly battery	1	1	-	-	
3	36BB0033	Lock battery with key Kit	1	1	1	-	
4	AN161074	Clamp Assly	1	1	1	1	
5	KCGD0606	Nut hex flanged	1	1	1	1	
6	AN161075	Tie rod	1	1	1	1	
7	24201564	Packing rubber - battery 32 ah	1	1	-	-	
8	KADA0614	Bolt Flanged- Tray mounting	3	3	-	-	
9	AN161048	Liner battery base	-	-	1	1	

BA - RE  
BH - MAXIMA Z  
BB - MAXIMA XWIDE  
AL - CARGO



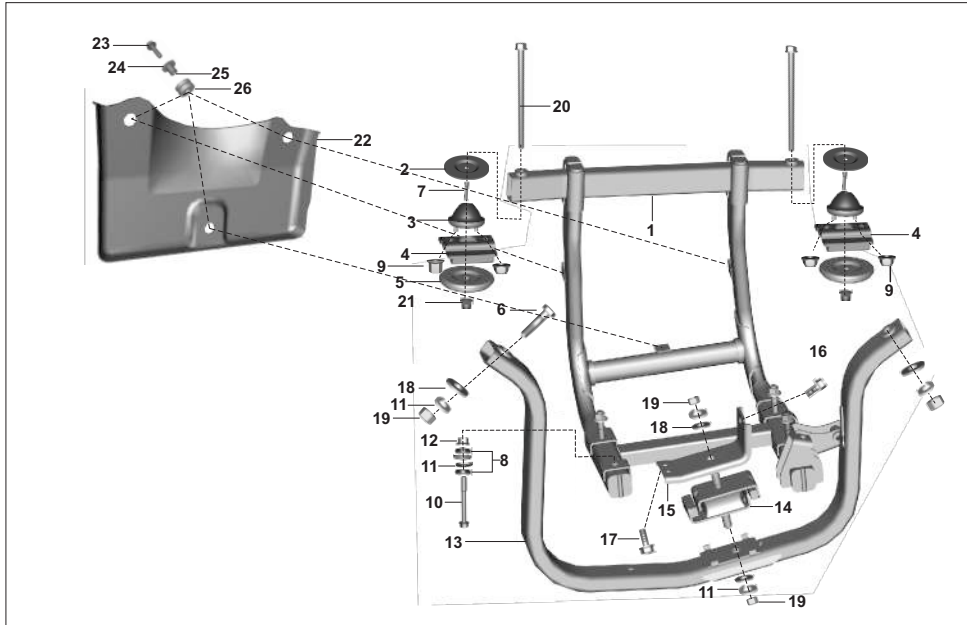
No.	Part No.	Description	BA	BH	BB	AL	Remarks
1	BA102158	Engine bracket FR	1	-	-	-	
2	BA102159	Engine bracket RR	1	-	-	-	
3	BH113411	Isolator rubber	1	-	-	-	
3a	BA161195	Isolator rubber	1	-	-	-	
4	KDBA1022	Washer_plain	8	-	-	-	
5	KDDB1018	Washer spring thin	4	-	-	-	
6	BA161031	Channel fix g.b mt RR	4	-	-	-	
7	39046715	Nut hexagon -M12 x 1.5	4	-	-	-	
8	BA102164	Bracket	1	-	-	-	
9	KADD1020	Bolt flange	1	-	-	-	
10	KAAD1050	Bolt hexagon -M10x1.5	3	-	-	-	
10a	KAAD1045	Bolt	1	-	-	-	
11	KCAA1008	Nut master	4	-	-	-	
12	KDDB0612	Washer spring thin	6	-	-	-	
13	BA102160	Rubber isolator-gb	2	-	-	-	
14	BA161167	Bracket engine mtg rear LH	1	-	-	-	
15	KDBA0613	Washer_plain	6	-	-	-	
16	KDDB0612	Washer spring thin	6	-	-	-	
17	KA AD0620	BOLT	6	-	-	-	
18	BA102233	Bolt long head M8	2	-	-	-	

BA - RE  
BH - MAXIMA Z  
BB - MAXIMA XWIDE  
AL - CARGO



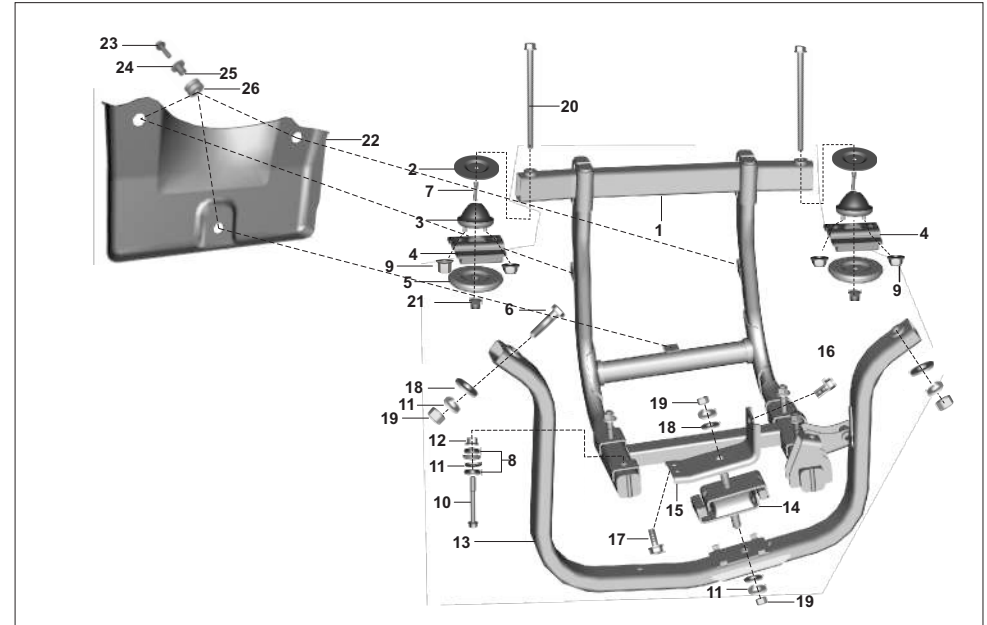
No.	Part No.	Description	BA	BH	BB	AL	Remarks
1	BH113407	Assembly bracket engine rear	-	1	-	-	
2	BH113408	Bracket engine mtg rear rh	-	1	-	-	
3	BH113411	Isolator rubber	-	2	-	-	
4	39046715	Nut hexagon -M12 x 1.5	-	7	-	-	
5	KDDB1221	Washer spring thin	-	7	-	-	
6	KDBA1226	Washer_plain	-	7	-	-	
7	KAAD1050	Bolt	-	4	-	-	
8	KDBA1022	Washer_plain	-	8	-	-	
9	KDDB1018	Washer spring thin	-	4	-	-	
10	KCAA1008	Nut master	-	4	-	-	
11	BH113409	Assembly eng mtg bkt front RH	-	1	-	-	
12	BH113410	Bracket engine mtg front RH	-	1	-	-	
13	BG113403	Assy bracket trans. Mounting	-	1	-	-	
14	AL101020	Isolator rubber	-	2	-	-	
15	KAAD0818	Bolt	-	3	-	-	
16	KDDA0815	Washer spring thin	-	6	-	-	
17	KDAB0816	Washer_plain_small	-	3	-	-	
18	BG581000	Bracket air filter	-	1	-	-	
19	BH113417	Packing rubber below air filter	-	1	-	-	
20	39251704	Bolt - hexagon head - M8	-	3	-	-	
21	39118011	Washer	-	3	-	-	

BA - RE  
BH - MAXIMA Z  
BB - MAXIMA XWIDE  
AL - CARGO



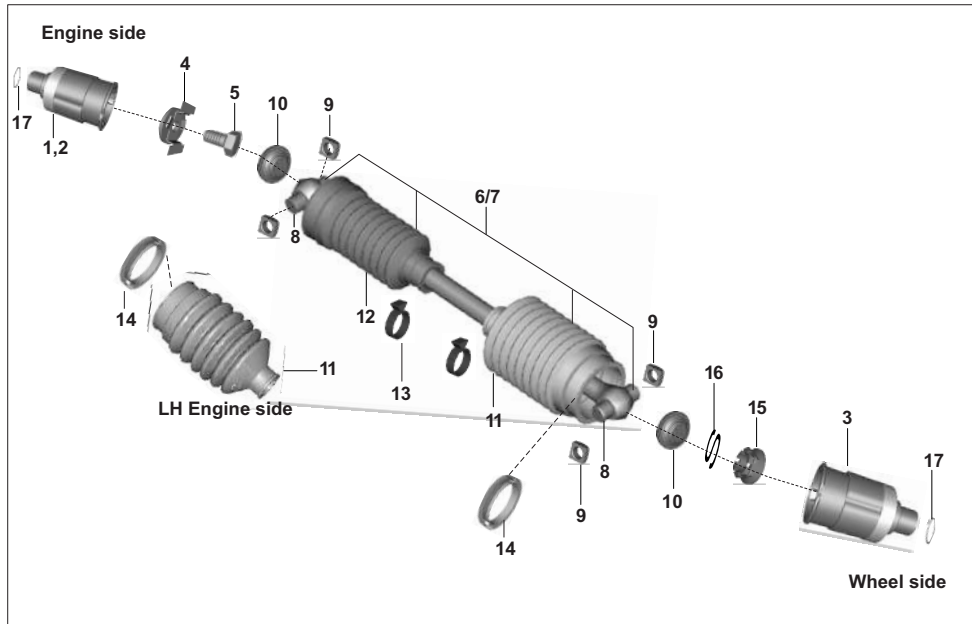
No.	Part No.	Description	BA	BH	BB	AL	Remarks
1	AL161775	Cradle hydroformed	-	-	1	1	
2	AL161252	Plate upper isolator	-	-	2	2	
3	AL161249	Rubber isolator engine	-	-	2	2	
4	BB161306	Plate stopper new	-	-	2	2	
5	AL161505	Plate lower isolator	-	-	2	2	
6	KADD1250	Bolt - hexagon head- M12	-	-	2	2	
7	AL161251	Spacer rubber isolator	-	-	2	2	
8	AL101019	Washer	-	-	1	1	
9	LCG00007	Nut flanged- ex.tube-cyl head	-	-	6	6	
10	KADG1085	Bolt flanged	-	-	4	4	
11	KDDD1221	Washer - Spring	-	-	8	8	
12	KCGA1010	Hex nut flange-M10	-	-	4	4	
13	AL161302	Support engine-middle	-	-	1	1	
14	AL161247	Rubber isolator	-	-	1	1	
15	AL161253	Bracket isolator	-	-	1	1	
16	KADD1020	Bolt flange hexagonal	-	-	1	1	
17	KADD0616	Bolt flanged M6x1	-	-	2	2	
18	KDBA1226	Washer plain	-	-	4	4	
19	39046715	Nut hexagon -M12 x 1.5	-	-	4	4	
20	LAD00010	Bolt - isolator low plate	-	-	2	2	

BA - RE  
BH - MAXIMA Z  
BB - MAXIMA XWIDE  
AL - CARGO



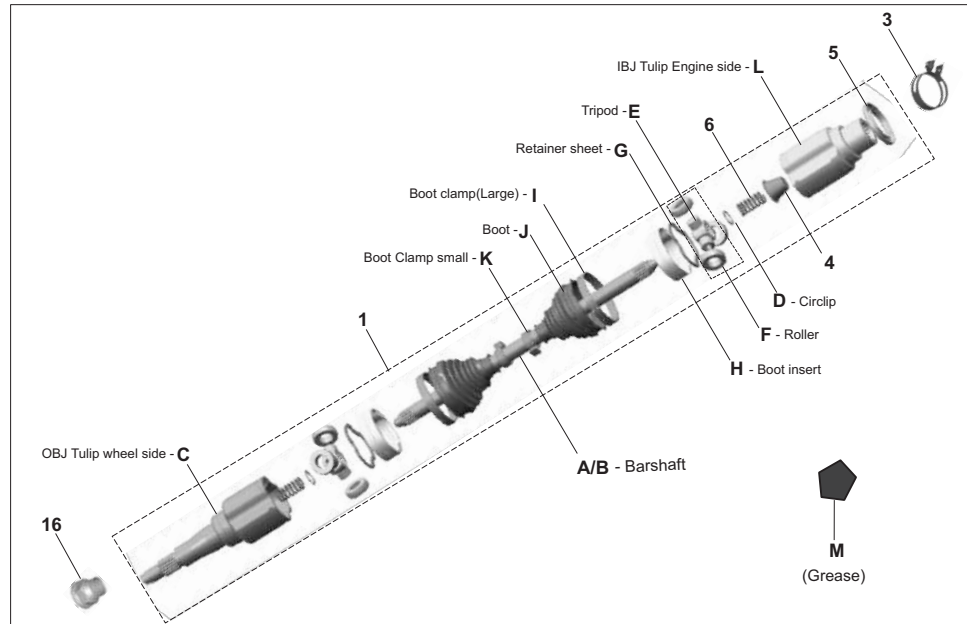
No.	Part No.	Description	BA	BH	BB	AL	Remarks
21	KCKC0811	Nut nyloc flange	-	-	2	2	
22	AL101053	Guard splash	-	-	1	1	
23	KADA0622	Bolt flanged	-	-	3	3	
24	LDB00014	Washer plain	-	-	3	3	
25	31201001	Collar	-	-	2	2	
26	DG141019	Damper	-	-	2	2	

BA - RE  
BH - MAXIMA Z  
BB - MAXIMA XWIDE  
AL - CARGO



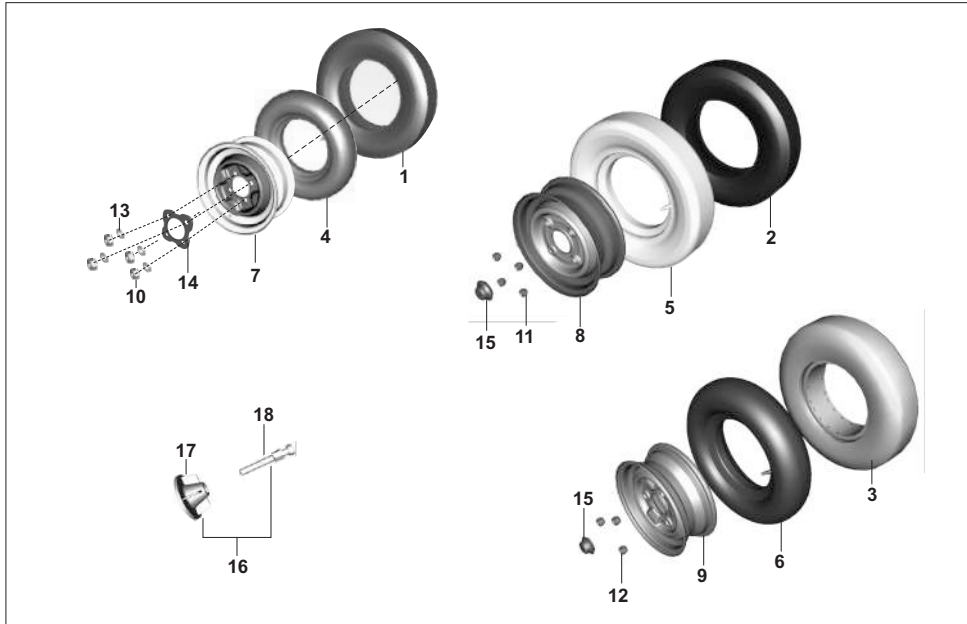
No.	Part No.	Description	BA	BH	BB	AL	Remarks
1	AA101722	Flange assly ( Sat.gear )	1	-	-	-	
2	AA101721	Flange assly (diff. gear)	1	-	-	-	
3	AY141202	Flange assly (wheel side)	2	-	-	-	
4	24171014	Lock washer assly	2	-	-	-	
5	39011904	Bolt	2	-	-	-	
6	BA133055	Propeller shaft-LH assly.	1	-	-	-	
7	BA133052	Propeller shaft-RH assly.	1	-	-	-	
8	BA133057	Pin for propeller shaft	4	-	-	-	alt-36BA4043
9	BA133064	Slider block	8	-	-	-	alt-36BA4043
10	BA133062	Rubber buffer	4	-	-	-	
11	BA133058	Bellow spherical large	3	-	-	-	
12	BA133059	Bellow linear small RH engine side	1	-	-	-	
13	BA133060	Clamp EAR	4	-	-	-	
14	BA133061	Clamp ear - omega	4	-	-	-	
15	39118215	Nut	2	-	-	-	
16	24171066	Spring clip	2	-	-	-	
17	LJA00023	Ring O	2	-	-	-	
18	36BA4043	Kit slider block with pin	4	-	-	-	
19	36BA4035	Kit Buffer rubber( dura block)	4	-	-	-	
20	36BA4036	Kit Grease	4	-	-	-	

BA - RE  
 BH - MAXIMA Z  
 BB - MAXIMA XWIDE  
 AL - CARGO



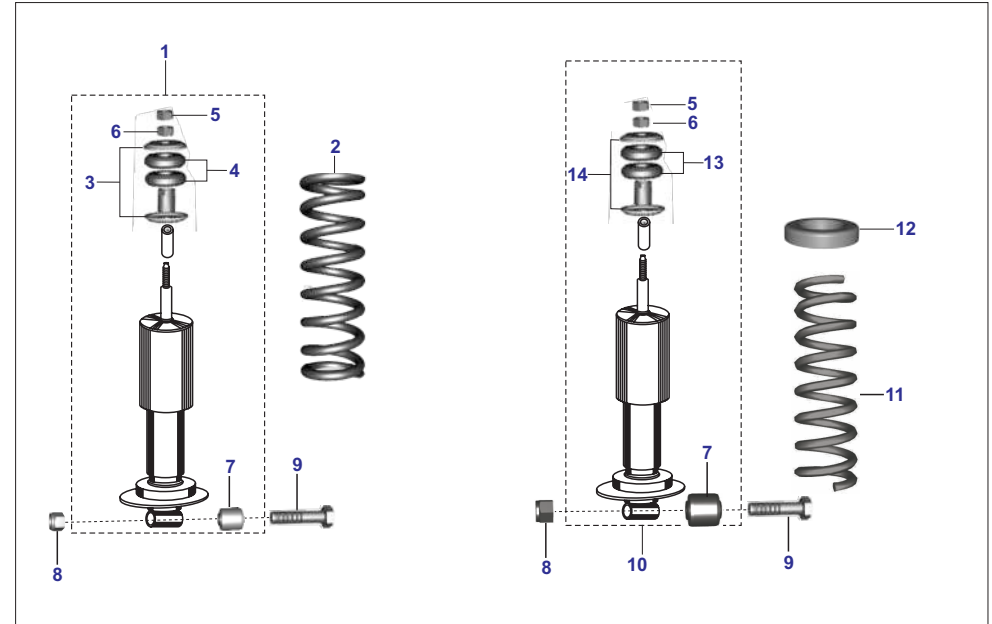
No.	Part No.	Description	BA	BH	BB	AL	Remarks
1	BH141225	Assembly drive shaft - RH	-	1	-	-	From-27.08.13
1	AL133004	Assembly drive shaft -RH	-	-	1	1	From-2.10.13
2	BH141224	Assembly drive shaft - LH	-	1	-	-	From-27.08.13
2	AL133003	Assembly drive shaft - LH	-	-	-	1	
3	BH551800	Clip lock drive shaft	-	2	2	2	
4	BH551420	Plug	-	1	1	1	
5	BH551421	Dust shield	-	1	1	1	
6	BH551409	Spring	-	2	2	2	
7	36BH0036	Kit Boot	-	4	4	4	J,I,K,M Kit-53
8	36BH0037	Kit Boot & retainer	-	4	4	4	J,I,K,M,G,H Kit-54
9	36BH0008	Kit OBJ	-	2	-	-	C,I,K,M Kit-45
9	36BH0009	Kit OBJ	-	-	2	2	C,I,K,M Kit-46
10	36BH0010	Kit OBJ & tripod	-	2	-	-	C,I,K,M,E,F,D Kit-47
10	36BH0011	Kit OBJ & tripod	-	-	2	2	C,I,K,M,E,F,D Kit-48
11	36BH0030	Kit IBJ	-	2	2	2	L,I,K,M Kit-50
12	36BH0031	Kit IBJ & tripod	-	2	2	2	L,I,K,M,E,F,D Kit-51
13	36BH0039	Kit Barshaft LH	-	1	-	-	A,D,I,K Kit-55
13	36AL0042	Kit Barshaft LH	-	-	1	1	A,D,I,K Kit-21
14	36BH0040	Kit Barshaft RH	-	1	-	-	B,D,I,K Kit-56
14	36AL0043	Kit Barshaft RH	-	-	1	1	B,D,I,K Kit-22
15	36BH0019	Kit roller (3 nos)	-	2	2	2	F. Kit-49

BA - RE  
 BH - MAXIMA Z  
 BB - MAXIMA XWIDE  
 AL - CARGO



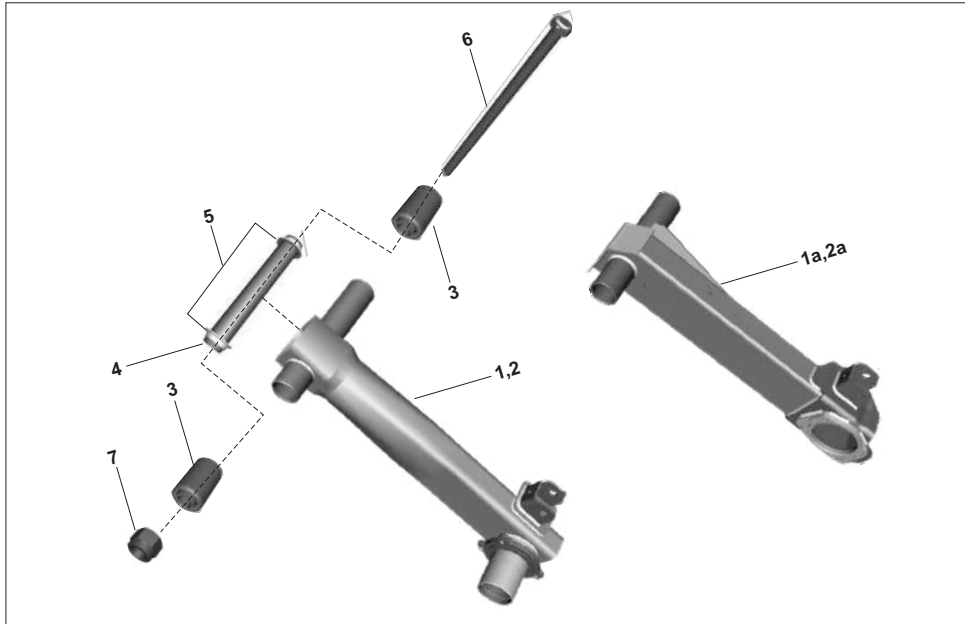
No.	Part No.	Description	BA	BH	BB	AL	Remarks
1	22151105	Tyre 4.00-8-6PR	4	-	-	-	NS
2	BH131009	Tyre 4.00-10	-	4	-	-	NS
3	AL151018	Tyre	-	-	4	4	NS
4	24151296	Tube	4	-	-	-	NS
5	BF131428	TUBE 4.00-10	-	4	-	-	NS
6	AL151019	Tube	-	-	4	4	NS
7	24151285	Assembly wheel rim	4	-	-	-	
8	AZ131004	Assembly wheel rim	-	4	-	-	
9	AL151246	Assembly wheel rim	-	-	4	4	
10	LCA00010	Wheel nut	12	-	-	-	
11	BF131486	Nut conical M 10	-	12	-	-	
12	AL151252	Nut conical M12	-	-	12	12	
13	KDDB1018	Washer spring thin	12	-	-	-	
14	24151297	Washer Plate	3	-	-	-	
15	BH131206	Cap hub rear	2	2	2	2	
16	BH131407	Assembly cap spare wheel	1	1	-	-	
17	BH131404	Knob spare wheel	2	2	-	-	
18	BH131403	Bolt spare wheel mounting fl	2	2	-	-	

BA - RE  
BH - MAXIMA Z  
BB - MAXIMA XWIDE  
AL - CARGO



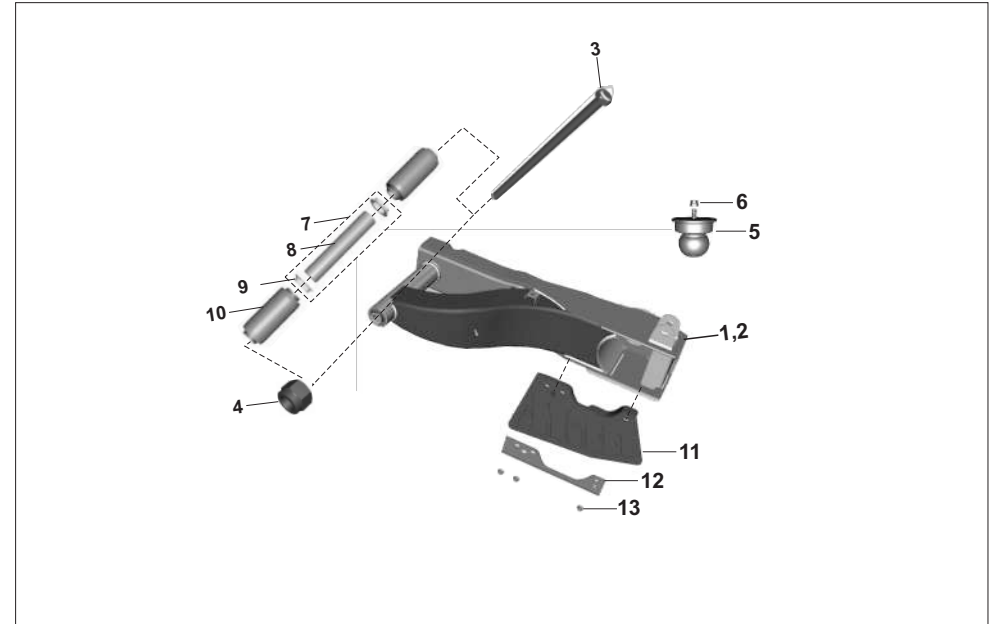
No.	Part No.	Description	BA	BH	BB	AL	Remarks
1	BA171024	Rear shock absorber assly	2	-	-	-	
1	BA171017	Shock absorber rear- LL	2	-	-	-	
1	AZ122008	Shockabsorber rear susp	-	2	-	-	
2	BA171005	Rear suspension spring	2	-	-	-	
2	BA171019	Spring suspension rear- LL	2	-	-	-	
2	AZ122009	Spring rear susp	-	2	-	-	
3	BA171008	Cup washer top side	1	1	-	-	
4	BA171007	Rubber bush with cup washer	4	4	4	4	
5	LCB00005	Nut hex	2	-	-	-	
5	KCBD1006	Nut hex thin	-	2	2	2	
6	39133615	Nut hex	2	-	-	-	
6	KCAD1008	Nut hex thick	-	2	2	2	
7	BB171036	Bush	2	2	2	2	
8	39260715	Nut - nyloc- M12 x 1.5	2	2	2	2	
9	24170507	Bolt for shock absorber	2	-	2	2	
9	LAD00111	Bolt flang	-	2	-	-	
10	AL171138	Rear shock absorber	-	-	2	2	
10	BB171040	Shockabsorber rear - LL	-	-	2	-	
10	BB171038	Spring rear suspension	-	-	2	2	
11	BB171041	Spring rear - LL	-	-	2	-	
12	AL171150	Rubber seat spring rear	-	-	2	2	
13	BA171007	Rubber bush with cup washer	4	4	4	4	
14	BF122056	Rebound washer	2	2	2	2	

BA - RE  
BH - MAXIMA Z  
BB - MAXIMA XWIDE  
AL - CARGO



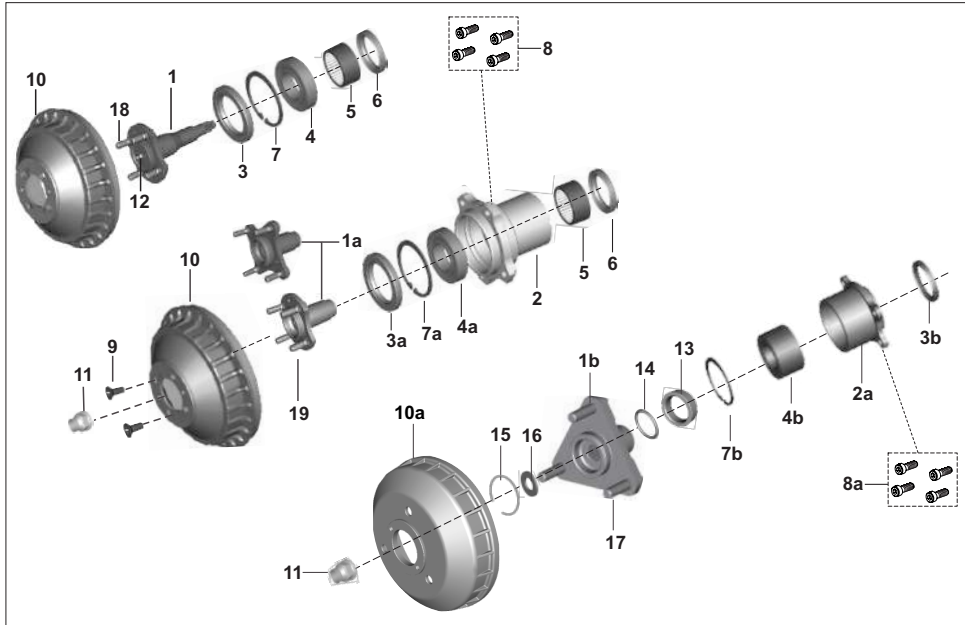
No.	Part No.	Description	BA	BH	BB	AL	Remarks
1	24171179	Trailing arm assly LH	1	-	-	-	
1a	AZ122032	Assembly arm trailing LH	-	1	-	-	
2	24171180	Trailing arm assly RH	1	-	-	-	
2a	AZ122033	Assembly arm trailing RH	-	1	-	-	
3	AA171006	Bush- silent for trailing arm	2	-	-	-	
3	AZ122005	Bush silent ta ug - Z	-	2	-	-	
4	AA171022	Distance piece assly	2	-	-	-	
4	AZ122007	Assembly dist piece ta tube UG	-	2	-	-	
5	BH122028	Spacer ring ta	4	4	-	-	
6	AA171011	Pivot pin trailing arm	2	-	-	-	
6	AZ122016	Bolt flanged-M14	-	2	-	-	
7	KCHA1417	Nut -nyloc :- M14 X 1.5	2	2	-	-	

BA - RE  
BH - MAXIMA Z  
BB - MAXIMA XWIDE  
AL - CARGO



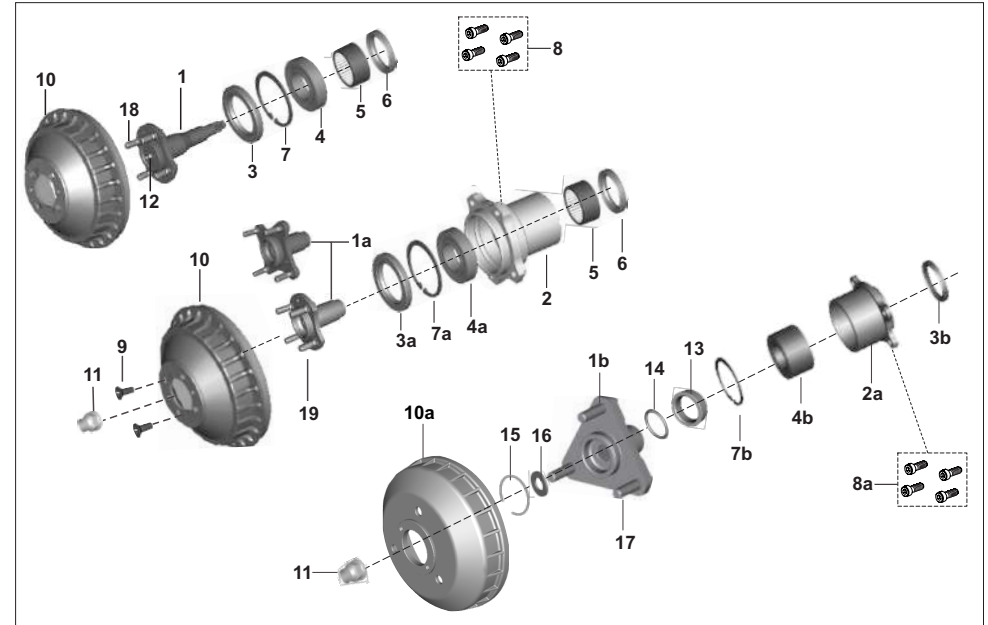
No.	Part No.	Description	BA	BH	BB	AL	Remarks
1	BB171051	Trailing arm assly- LH	-	-	1	1	
2	BB171052	Trailing arm assly- RH	-	-	1	1	
3	AL171158	Bolt trailing arm pivot	-	-	2	2	
4	KCHA1417	Nut -nyloc :- M14 X 1.5	-	-	2	2	
5	AL171017	Damper rubber-rear suspension	-	-	2	2	
6	39069015	Nut - nyloc - M8	-	-	2	2	
7	BB171055	Piece assembly distance-ta	-	-	1	1	
8	BB171056	Piece distance trailing arm	-	-	1	1	
9	BH122028	Spacer ring ta	-	2	2	2	
10	AZ122005	Bush silent ta ug	-	2	2	2	
11	BB161244	Mudflap rear LH	-	1	1	1	
11	BB161245	Mudflap rear RH	-	1	1	1	
12	BH181406	Plate mudflap support RH FL	-	2	2	2	
13	KCGA0505	Nut hex flanged	-	6	6	6	

BA - RE  
BH - MAXIMA Z  
BB - MAXIMA XWIDE  
AL - CARGO



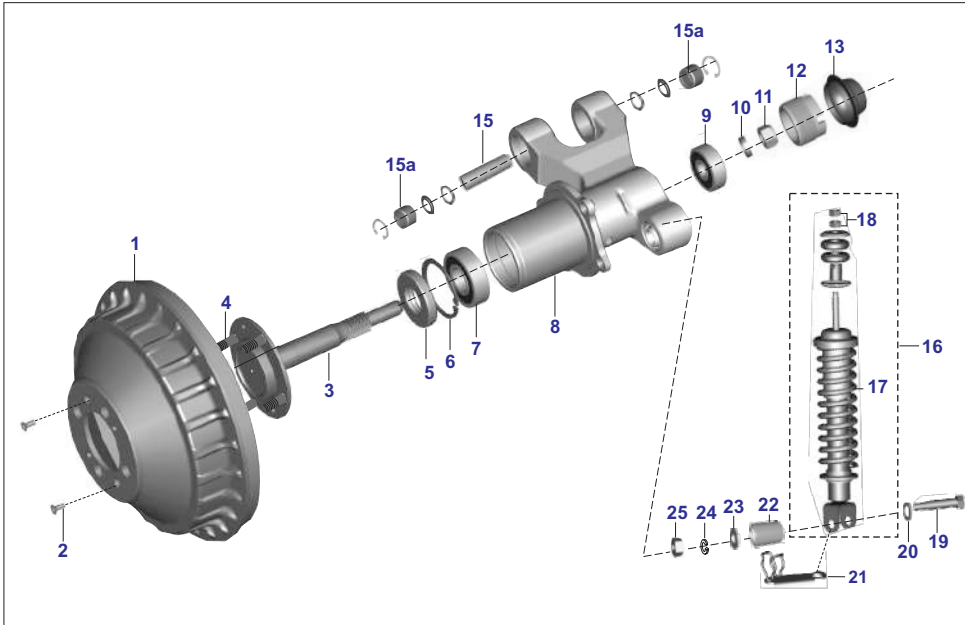
No.	Part No.	Description	BA	BH	BB	AL	Remarks
1	24171118	Axle assembly RR wheel	2	-	-	-	
1a	AZ131606	Flange assembly drive	-	2	-	-	
1b	AL151249	Assembly drive flange	-	-	2	2	
2	24171196	Hub	2	-	-	-	
2	AZ131603	Hub rear	-	2	-	-	
2a	BB151030	Rear hub	-	-	2	2	
3	24171024	Seal - oil 48 dia.	2	-	-	-	
3a	BF131723	Seal 41x60x7	-	2	-	-	
3b	BB151034	Seal	-	-	2	2	
4	01100342	Bearing ball	2	-	-	-	
4a	BF131722	Bearing 30X55X13-RR Hub	-	2	-	-	
4b	BB151031	Bearing 30X55X13-RR Hub	-	-	2	2	
5	59200012	Bearing - needle (SL 35 20 )	2	-	-	-	
5	AA151124	Bearing needle roller	-	2	-	-	
6	22171007	Seal - oil	2	2	-	-	
7	KEBB4717	Circlip 47x17	2	-	-	-	
7a	KEBB5520	Circlip	-	2	-	-	
7b	KEBB6825	Circlip	-	-	2	2	
8	LAC00035	Bolt-socket-m8	-	8	-	-	
8a	LAC00044	Bolt - Socket - M-8	-	-	8	8	
9	KBCA0410	Screw Csk Cross	4	4	-	-	

BA - RE  
BH - MAXIMA Z  
BB - MAXIMA XWIDE  
AL - CARGO



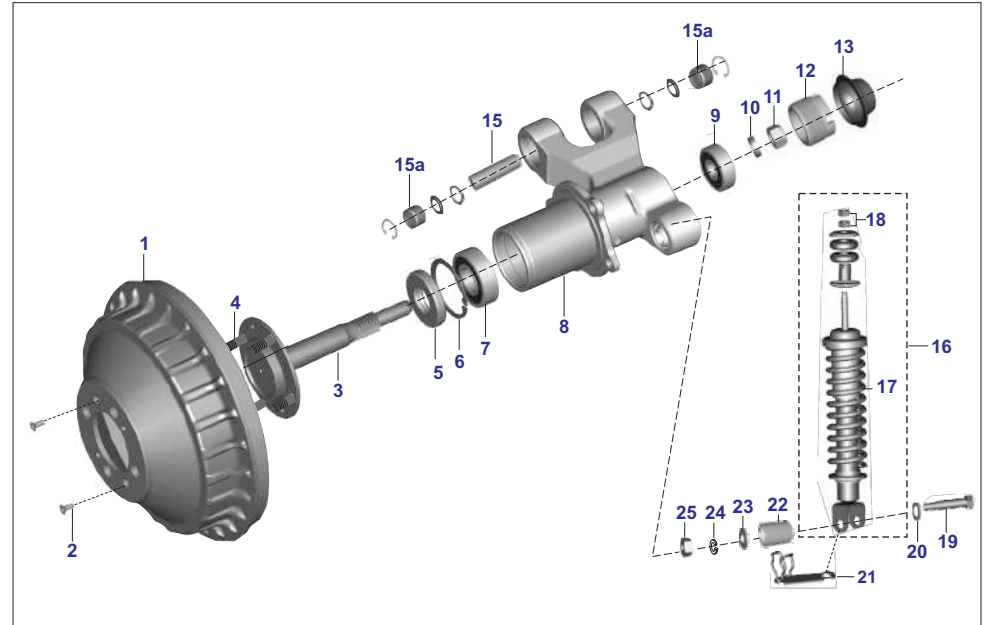
No.	Part No.	Description	BA	BH	BB	AL	Remarks
9	KBCA0614	Screw csk cross - Z	-	4	-	-	
10	22151106	Brake drum RR	2	2	-	-	
10	AZ131601	Drum brake	-	2	-	-	
10a	AL151242	Drum brake rear	-	-	2	2	
11	BF131707	Nut axle M16	-	2	2	2	
12	24171075	Nipple - grease	2	-	-	-	
13	BB133066	Sleeve drive shaft	-	-	2	2	
14	KJAA3035	O ring	-	-	2	2	
15	AL151254	Circlip for AL151151	-	-	2	2	
16	KDBA1632	Washer plain	-	-	2	2	
17	22170434	Bolt for axle Compact	8	-	-	-	
18	BF131710	Bolt M10 - Z	-	8	-	-	
19	AL171066	Bolt for axle	-	-	6	6	
20	36244069	Kit rear wh. bearing	1	-	-	-	
21	36BH0035	Kit rear wh. bearing	-	1	-	-	NS
22	36BB0040	Kit rear wh. bearing	-	-	1	1	NS

BA - RE  
BH - MAXIMA Z  
BB - MAXIMA XWIDE  
AL - CARGO



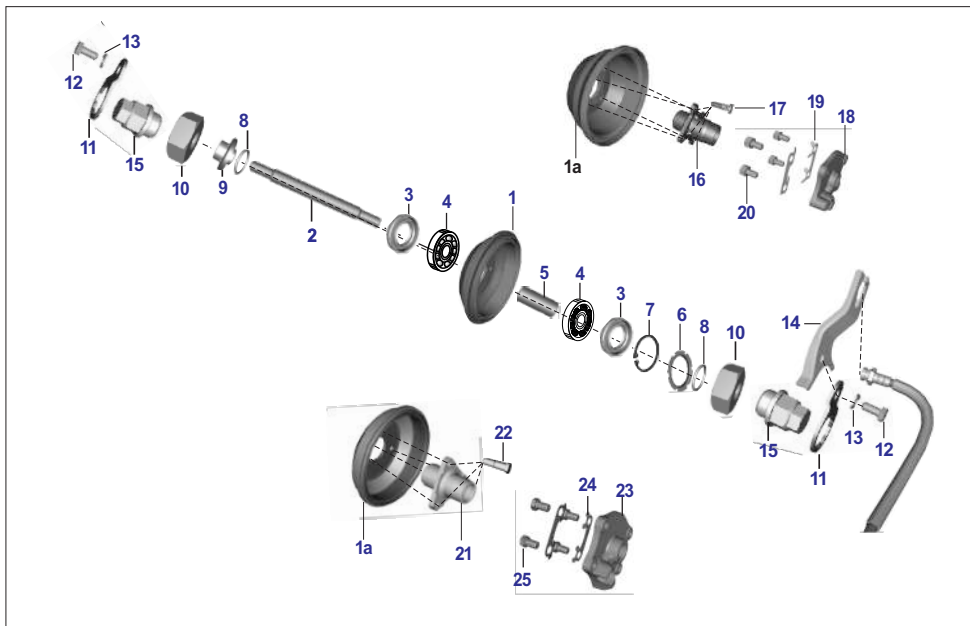
No.	Part No.	Description	BA	BH	BB	AL	Remarks
1	AF151079	Drum brake	1	-	-	-	
2	KBCA0410	Screw csk cross	2	-	-	-	
3	24151266	Assly axle front wheel	1	-	-	-	
4	3100718	Bolt for rear/fr wheel flange	4	-	-	-	
5	22170115	Seal - oil	1	-	-	-	
6	KEBB4717	Circlip 47x17	1	-	-	-	
7	KPBC6204	Bearing-ball-c3 clearance	1	-	-	-	
8	AF151080	Hub front	1	-	-	-	
9	39236220	Bearing - ball :- 12 x 37 x 12	1	-	-	-	
10	AA151049	Spacer	1	-	-	-	
11	59150003	U nut m12	1	-	-	-	
12	LCD00002	Nut-m39x1.5xheight 25	1	-	-	-	
13	BH131206	Cap hub rear FL	1	-	-	-	
14	39235717	Circlip - internal	2	-	-	-	
15	24171198	Pin pivot	1	-	-	-	
15a	24171201	Bearing needle	2	-	-	-	
16	AB171044	FR shock absorber assly	1	-	-	-	
16	BA171018	FR shock absorber assly- LL	1	-	-	-	
17	AB171017	Spring fr. Shock.	1	-	-	-	
17	BA171020	Spring suspension front- LL	1	-	-	-	

BA - RE  
BH - MAXIMA Z  
BB - MAXIMA XWIDE  
AL - CARGO



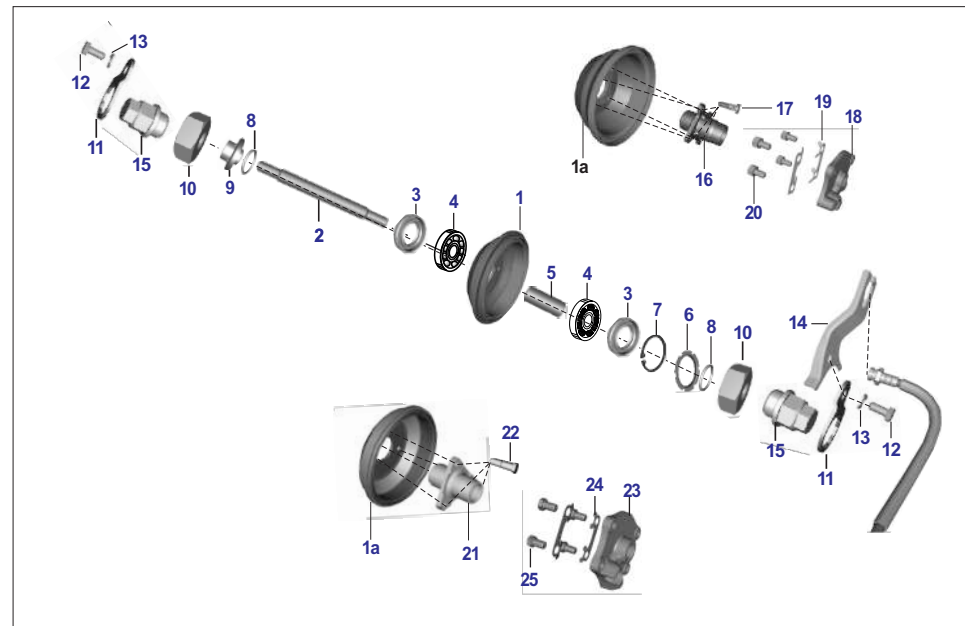
No.	Part No.	Description	BA	BH	BB	AL	Remarks
18	39029515	Nut fr. Shock.	2	-	-	-	
19	AB171031	Bolt for sh abs mounting	1	-	-	-	
20	39054311	Plain washer	1	-	-	-	
21	24151247	Assly bracket guide hose	1	-	-	-	
22	AB171016	Bush assly-fr sh ab mtg	1	-	-	-	
23	KDBA1022	Washer_plain	1	-	-	-	
24	KDDB1018	Washer spring thin	1	-	-	-	
25	LCA00010	Nut hex thik-m10x1.5xht.8xbright	1	-	-	-	

BA - RE  
BH - MAXIMA Z  
BB - MAXIMA XWIDE  
AL - CARGO



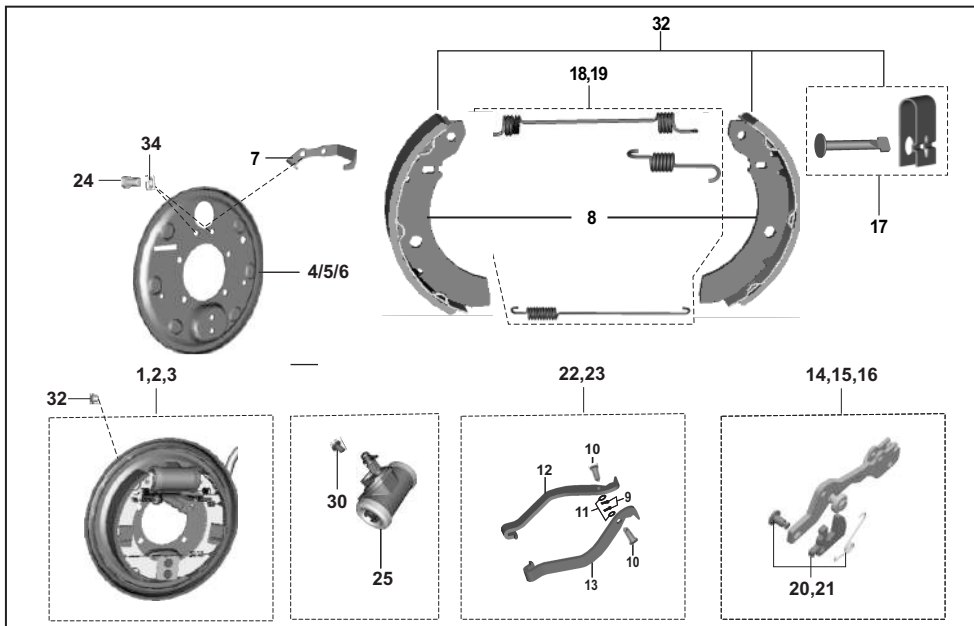
No.	Part No.	Description	BA	BH	BB	AL	Remarks
1	AZ131601	Drum brake front	-	1	-	-	
1a	AL151242	Drum brake front	-	-	1	1	
2	AP151002	Axle -m16x1.5xl 217xblack	-	1	-	-	
2	AL151004	Front Wheel Axle	-	-	1	1	
3	39173719	Seal - Oil :- 26 X 42 X 8	-	1	1	1	
4	KPBC6004	Bearing-ball-c3 clearance	-	2	2	2	
5	BH131024	Tube assembly	-	1	-	-	
5	AL151005	Distance piece assly	-	-	1	1	
6	AL151007	Collar	-	1	1	1	
7	39246417	CIRCLIP	-	1	-	-	
7	KEBB4217	Circlip internal	-	-	1	1	
8	KJAA2024	O Ring	-	2	2	2	
9	BH131600	Assembly spacer	-	1	-	-	
9	AL151008	Spacer assly.	-	-	1	1	
10	LCA00019	Nut hex-M16	-	2	2	2	
11	AL151012	Locking Clip	-	2	2	2	
11	KAAD0614	Bolt	-	2	2	2	
12	KDDA0612	Washer sp thn	-	2	2	2	
14	AZ131833	Bracket circuit brake	1	-	-	-	
15	AL151011	Collar Nut	-	2	2	2	

BA - RE  
 BH - MAXIMA Z  
 BB - MAXIMA XWIDE  
 AL - CARGO



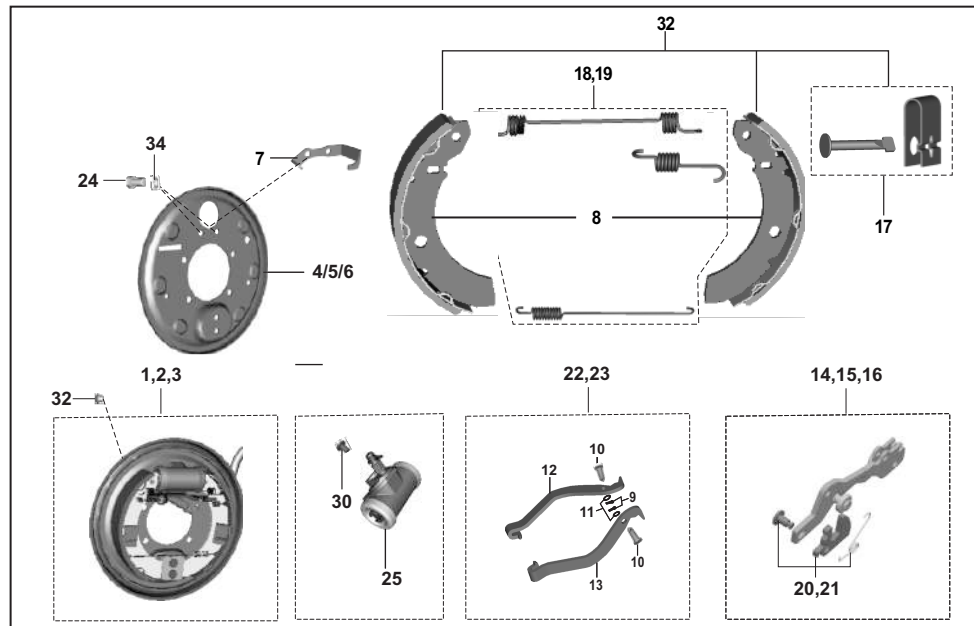
No.	Part No.	Description	BA	BH	BB	AL	Remarks
16	AZ131605	Hub front	-	1	-	-	
17	BF131710	Bolt M10	-	4	-	-	
18	AZ131604	Flange panel brake	-	1	-	-	
19	AF151040	Plate lock	-	2	-	-	
20	LAA00047	BOLT M10X1.25	-	4	-	-	
21	AL151243	Hub front maxima	-	-	1	1	
22	AL171066	Bolt for axle	-	-	3	3	
23	AL151266	Flange panel brake	-	-	1	1	
24	AL171053	Plate - lock	-	-	2	2	
25	39042304	Bolt	-	-	4	4	Alt-KADD1016

BA - RE  
 BH - MAXIMA Z  
 BB - MAXIMA XWIDE  
 AL - CARGO



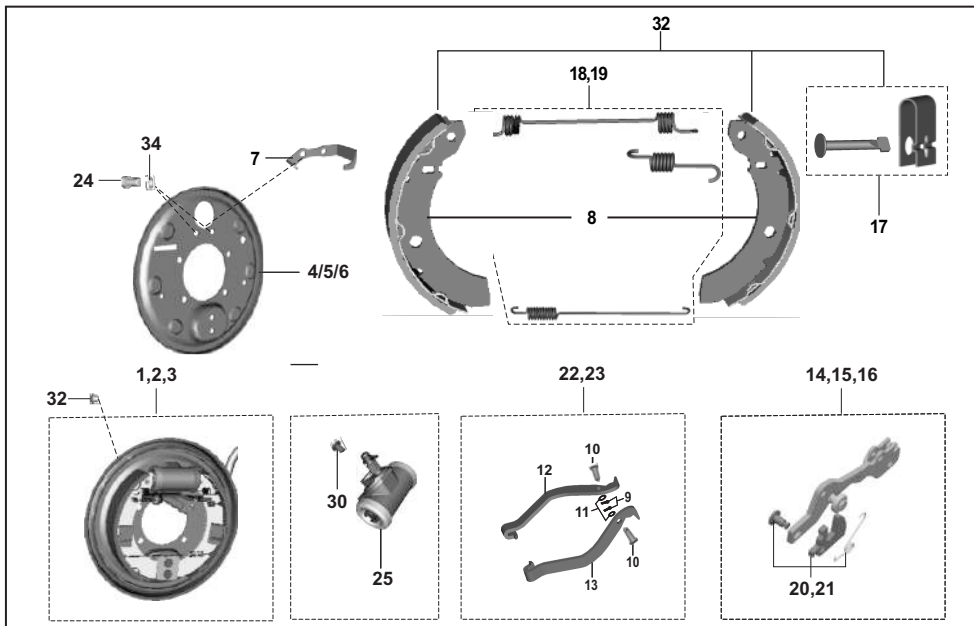
No.	Part No.	Description	BA	BH	BB	AL	Remarks
1	AA151128	Panel Assembly Brake Front	1	-	-	-	
1	AZ131834	Panel Assembly Brake Front	-	1	-	-	
2	BH131213	Panel Assembly Brake Rear Rh	1	-	-	-	
2	AZ131836	Panel Assembly Brake Rear Rh	-	1	-	-	
3	BH131212	Panel Assembly Brake Rear Lh	1	-	-	-	
3	AZ131835	Panel Assembly Brake Rear Lh	-	1	-	-	
4	36AA4146	Back Plate Front	1	-	-	-	
4	36AZ0079	Back Plate Front	-	1	-	-	
5	24151174	Back Plate Assly. Lh	1	-	-	-	
5	AL151211	Back Plate Assembly Lh Finished-z	-	1	-	-	
6	24151178	Back Panel Assly Rh	1	-	-	-	
6	36AZ0079	Back Plate Assembly Rh Finished-z	-	1	-	-	
7	24151245	Bracket Hose Guide Front	1	-	-	-	
8	36AA4144	Brake Shoe Spring Kit Fr.- Re	1	-	-	-	
8	24151171	Brake Shoe Kit With Spring	1	-	-	-	
8	36AZ0080	Brake Shoe Kit Fr.- Z	-	1	-	-	
8	24151268	Brake Shoe Kit (ask Lining) Rr- Re	2	-	-	-	
8	36AZ0076	Brake Shoe With Hbl Lh Kit-z	-	1	-	-	
8	36AZ0078	Brake Shoe With Hbl Rh Kit-z	-	1	-	-	
9	KHAA2512	Pin Cotter-dia. 2.5x1 12xbright	1	1	-	-	

BA - RE  
BH - MAXIMA Z  
BB - MAXIMA XWIDE  
AL - CARGO



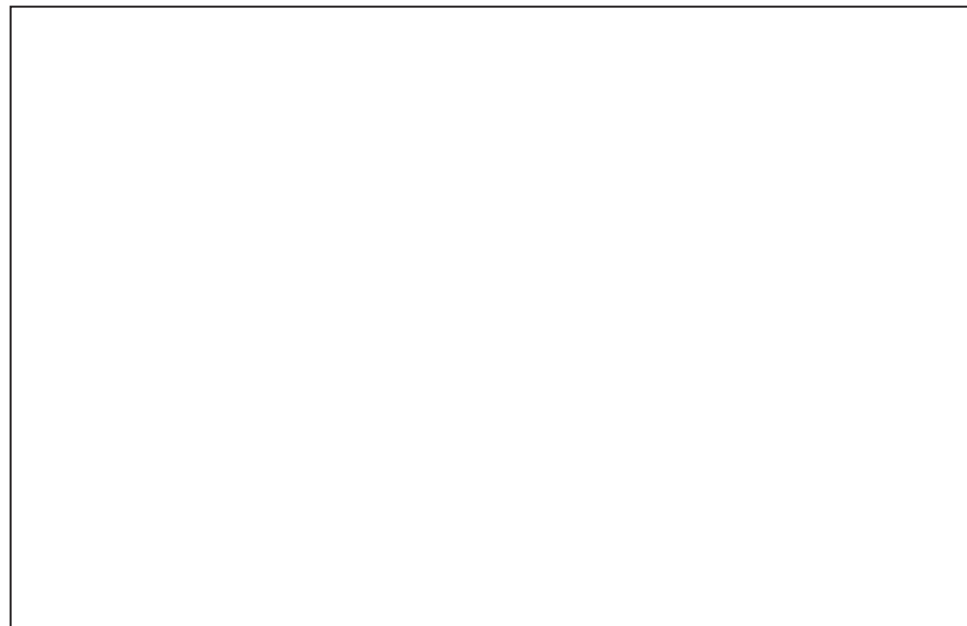
No.	Part No.	Description	BA	BH	BB	AL	Remarks
10	24151146	Pin Pivot-park Lever	1	1	-	-	
11	24151148	Washer- Plain Park Lever	1	1	-	-	
12	BH131813	Lever Parking Brake Lh	1	1	-	-	
13	BH131814	Lever Parking Brake Rh	1	1	-	-	
14	36AA4147	Assly Auto Adjuster Front	1	-	-	-	
14	AL151194	Assly Auto Adjuster Front-z	-	1	-	-	
15	24151175	Assly Auto Adjuster Lh	1	-	-	-	
15	AL151211	Assly Auto Adjuster Lh- Z	-	1	-	-	
16	24151179	Assly Auto Adjuster Rh	1	-	-	-	
16	AL151212	Assly Auto Adjuster Rh- Z	-	1	-	-	
17	36AA4145	Brake Shoe Clamp Spring Kit- Re Fr.	1	-	-	-	
17	24151172	Shoe Clamp Spring Kit	2	-	-	-	
18	24151182	Spring Kit Rh	1	-	-	-	
18	36AH0004	Spring Kit Rh	-	1	-	-	
19	24151173	Spring Kit Fr/lh	2	-	-	-	
19	36AH0003	Spring Kit Fr/lh	-	2	-	-	
20	24151170	Ratchet Kit For Fr & Lh	2	2	-	-	
21	24151181	Ratchet Kit Rh	1	1	-	-	
22	24151177	Kit Parking Lever Lh	1	1	-	-	
23	24151183	Kit Parking Lever Rh	1	1	-	-	

BA - RE  
BH - MAXIMA Z  
BB - MAXIMA XWIDE  
AL - CARGO



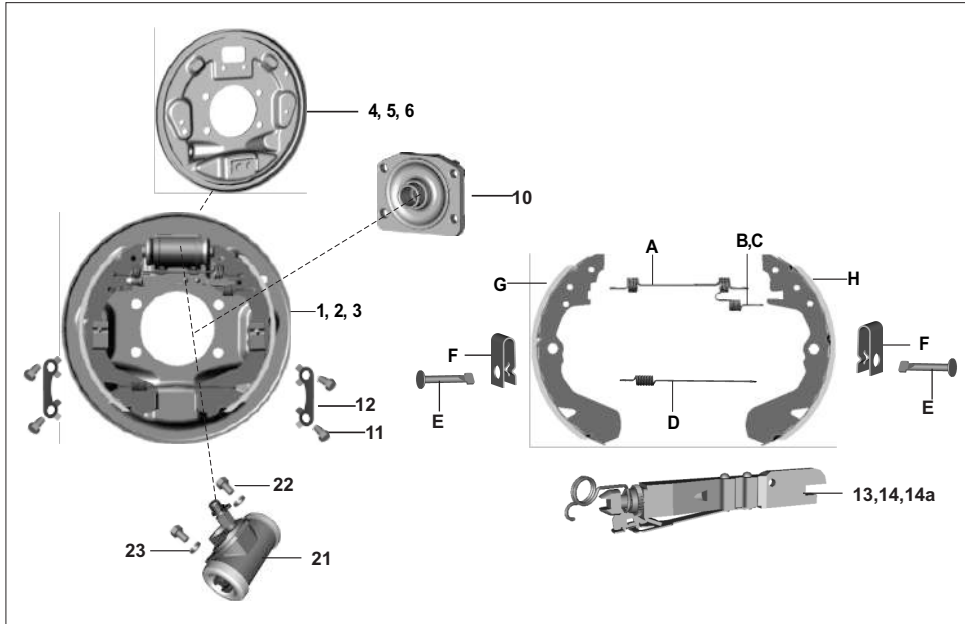
No.	Part No.	Description	BA	BH	BB	AL	Remarks
24	AL151054	Bolt-NS	2	2	-	-	Alt-36BA4014
25	36AA4142	Wheel Cylinder Assembly Front-re	1	-	-	-	
25	24151164	Cylinder Assembly Wheel Rear Re	2	-	-	-	
25	YAZ08012	Wheel Cylinder Assembly -z	-	3	-	-	
26	36AA4143	Wheel Cylinder Major Kit Re & Z Fr	1	-	-	-	
26	24151113	Wheel Cylinder Major Kit Re Rr	2	-	-	-	
28	24151114	Wheel Cylinder Minor Kit Rr	3	-	-	-	
30	AB151079	Screw - Bleeder	3	3	-	-	
32	YAZ08019	Protection Plug	3	3	-	-	
33	36BA4015	Wheel Cylinder Mtg Kit Fr.- Re	1	-	-	-	
34	36AH0010	Wheel Cylinder Mtg Kit -fr.-z	-	1	-	-	
35	36BA4014	Wheel Cylinder Mtg Kit Rr	2	2	-	-	
36	AL151053	Washer Spring	2	-	-	-	

BA - RE  
 BH - MAXIMA Z  
 BB - MAXIMA XWIDE  
 AL - CARGO



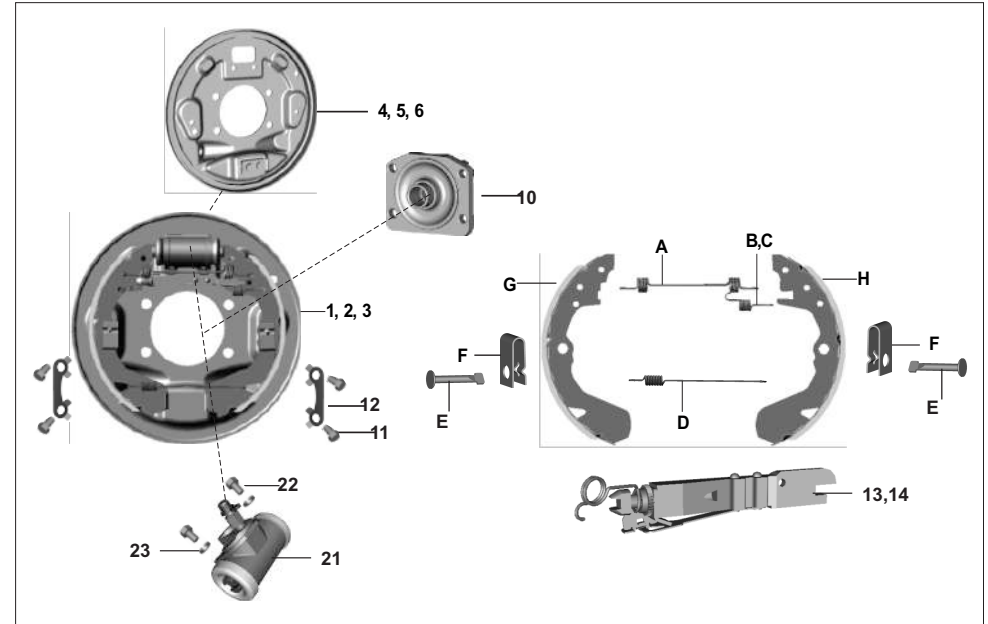
No.	Part No.	Description	BA	BH	BB	AL	Remarks

BA - RE  
 BH - MAXIMA Z  
 BB - MAXIMA XWIDE  
 AL - CARGO



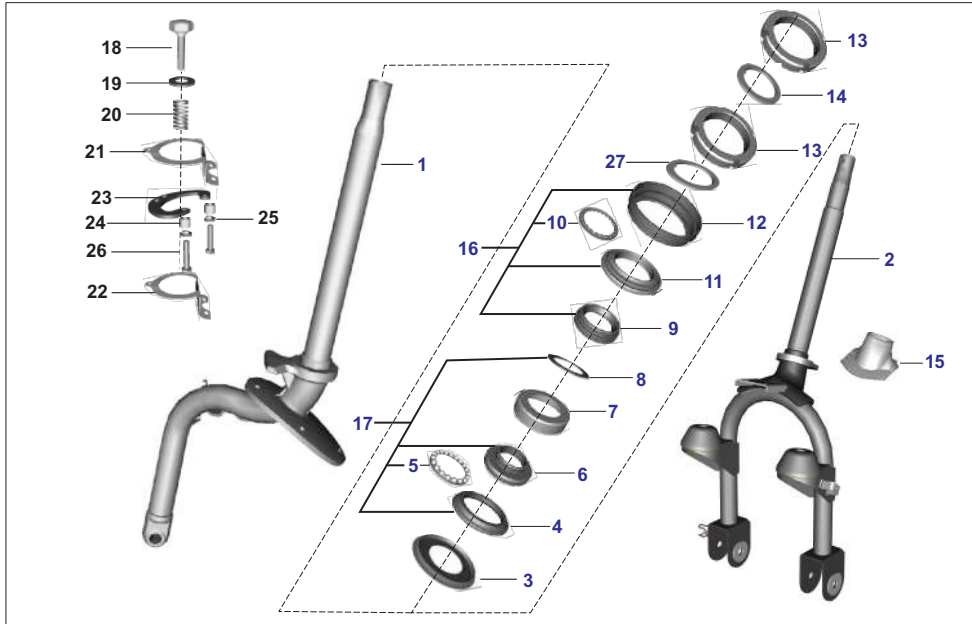
No.	Part No.	Description	BA	BH	BB	AL	Remarks
1	AL151236	Panel Ass FR 3wh Cargo	-	-	1	1	
2	AL151238	Panel assly RH	-	-	1	1	
3	AL151237	Panel assly LH	-	-	1	1	
4	36AL0033	Back plate assly FR	-	-	1	1	Kit-33 NS
5	36AL0038	Back plate assly RH	-	-	1	1	Kit-19
6	36AL0040	Back plate assly. LH	-	-	1	1	Kit-20
7	BB151064	Shoe clamp spring kit	-	-	3	3	inc-E,F
8	BB151062	Spring kit fr. LH	-	-	3	3	inc-A,B,D
9	BB151063	Spring kit RH	-	-	3	3	inc-A,C,D
10	AL151266	Flange back plate cargo -	-	-	1	1	
11	39042304	Bolt hexagon head	-	-	4	4	Alt-KADD1016
12	AL171053	Lock plate	-	-	2	2	
13	AL151194	Auto adjuster assly front	-	-	1	1	
14	AL151211	Auto adjuster assly LH	-	-	1	1	
14a	AL151212	Auto adjuster assly RH	-	-	1	1	
15	36AL0050	Front brake shoe kit maxima	-	-	-	1	Incl-G,H,E,F Kit-23
16	36AL0051	Rear rh brake shoe kit maxima	-	-	-	1	Incl-G,H,E,F Kit-24
17	36AL0052	Rear lh brake shoe kit maxima	-	-	-	1	Incl-G,H,E,F Kit-25
18	36AL0030	Wheel cylinder major kit	-	-	3	3	Kit-15
19	36AL0029	Wheel cylinder minor kit	-	-	3	3	Kit-14
20	BF131904	Plug protection	-	-	2	2	

BA - RE  
BH - MAXIMA Z  
BB - MAXIMA XWIDE  
AL - CARGO



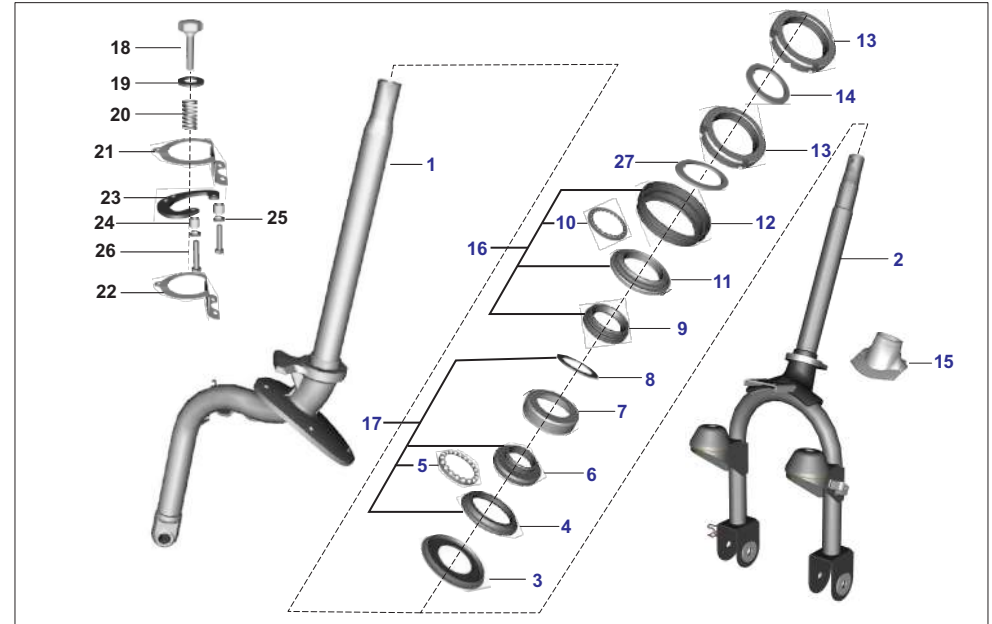
No.	Part No.	Description	BA	BH	BB	AL	Remarks
21	AL151231	Assy wheel cylinder	-	-	3	3	
22	AL151205	Bolt wheel cylinder Mtg.	-	-	2	2	
23	BF131905	Washer spring-NS	-	-	2	2	Alt-36BA4014
24	AL151235	Assembly brake panel with flange	-	-	1	1	Incl-1&10

BA - RE  
BH - MAXIMA Z  
BB - MAXIMA XWIDE  
AL - CARGO



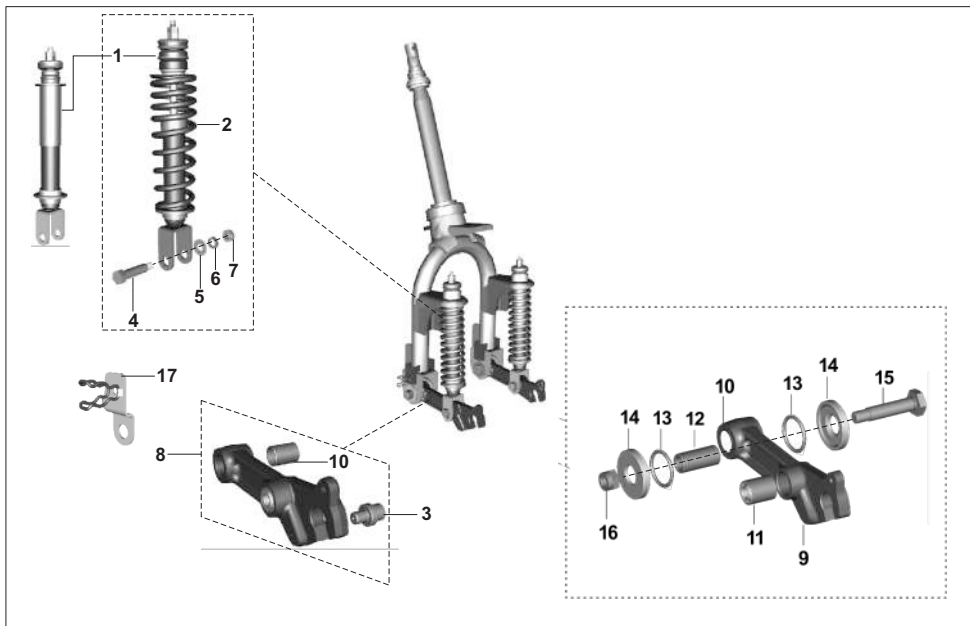
No.	Part No.	Description	BA	BH	BB	AL	Remarks
1	AA181039	Column assembly steering	1	-	-	-	
2	AZ151026	Fork assembly	-	1	-	-	
2	BB181012	Fork assembly	-	-	1	1	
3	AA181023	Cover dust lower	1	-	-	-	
3	BH151007	Dust cover bottom	-	1	-	-	
3	AL181006	Cover - dust - bottom	-	-	1	1	
4	BH151097	Race inner lower	1	1	-	-	
4	BB181040	Bearing race lower	-	-	1	1	
5	AB181012	Steel ball with cage lower	1	1	-	-	
5	BB181037	Ball with cage-solid oil	-	-	1	1	
6	BH151096	Race outer lower	1	1	-	-	
6	BB181039	Bearing race lower outer	-	-	1	1	
7	BH151008	Dust cover top	1	1	-	-	
7	AL181005	Cover - dust - top	-	-	1	1	
8	BH151009	Spacer fork front	1	1	-	-	
8	BB181010	Spacer fork front	-	-	1	1	
9	BH151095	Race outer upper	1	1	-	-	
9	BB181036	Race bearing upper-outer	-	-	1	1	
10	BH151093	Cage - ball	1	1	-	-	
10	BB181035	Ball with cage-solid oil	-	-	1	1	
11	AA181059	Race inner upper	1	-	-	-	
11	BH151092	Race inner upper	-	1	-	-	
11	BB181034	Race bearing upper-inner	-	-	1	1	

BA - RE  
 BH - MAXIMA Z  
 BB - MAXIMA XWIDE  
 AL - CARGO



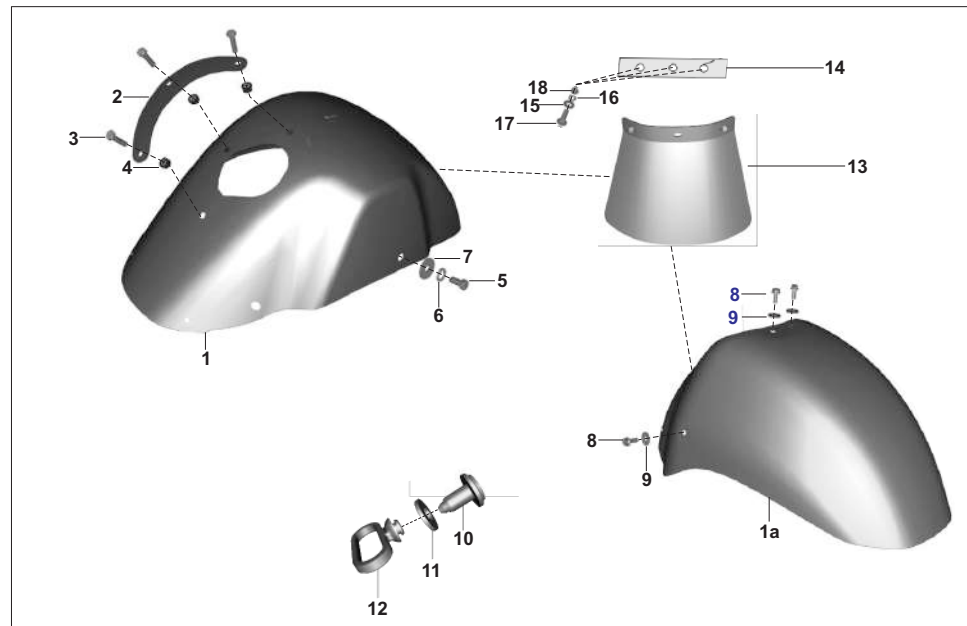
No.	Part No.	Description	BA	BH	BB	AL	Remarks
12	AA181058	Cover bearing upper	1	-	-	-	
12	BH151094	Cover bearing upper	-	1	-	-	
12	24161443	Dust cover	-	-	1	1	
13	24181047	Lock nut	2	2	2	2	
14	AB181020	Spacer washer bearing	1	1	1	1	
15	BH111056	Bellow	-	1	-	-	
15	BB161107	Bellow	-	-	1	1	
16	36BH0052	Bearing race kit upper Z & Comp.	1	1	-	-	
16	36AL0022	Kit steering cone upper Maxima	-	-	1	1	
17	36BH0053	Bearing race kit lower Z & Comp.	1	1	-	-	
17	36AL0005	Kit lower st. cone lower Maxima	-	-	1	1	
18	21180307	Knob	1	1	1	1	
19	LDB00019	Washer plain	1	1	1	1	
20	21180308	Spring	1	1	1	1	
21	BH151065	Steering plate upper	1	1	1	1	
22	BH151066	Steering plate lower	1	1	1	1	
23	22181058	Steering lock plate assly	1	1	1	1	
24	24181161	Spacer dampening plate	2	2	-	-	
24	BB151052	Spacer	-	-	2	2	
25	KDDA0509	Washer sp thn	2	2	2	2	
26	KAAD0520	Bolt	2	2	-	-	
27	LDH00012	Washer conical	4	-	-	-	

BA - RE  
 BH - MAXIMA Z  
 BB - MAXIMA XWIDE  
 AL - CARGO



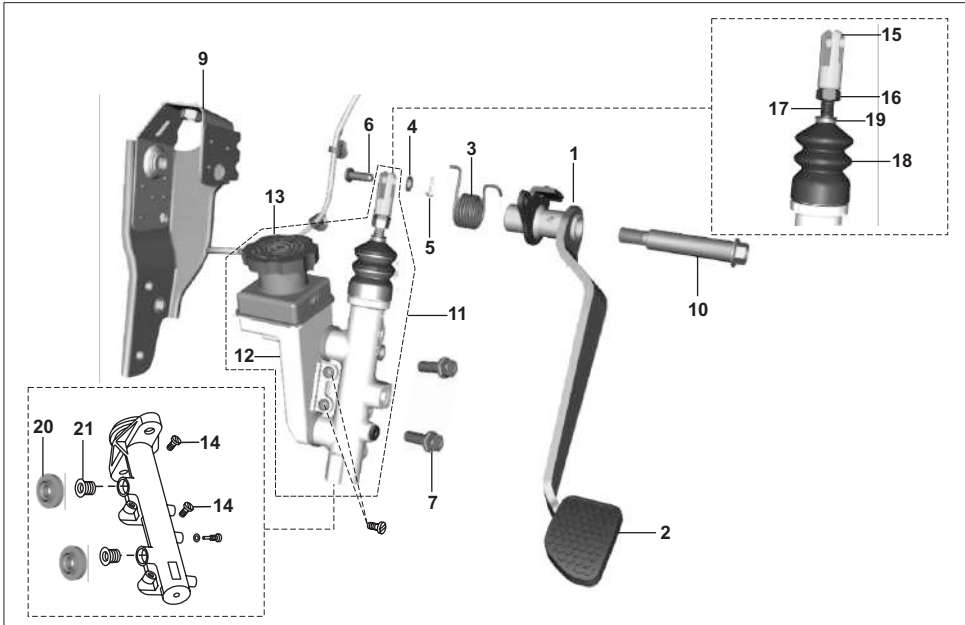
No.	Part No.	Description	BA	BH	BB	AL	Remarks
1	BH121004	Shock absorber front	-	2	-	-	
1	AL171139	Shock absorber front	-	-	2	2	
1	AL171151	Shockabsorber front - LL	-	-	2	-	
2	BH121005	Spring Fr. suspension	-	2	-	-	
2	AL171045	Spring Fr. suspension	-	-	2	2	
2	BB171032	Spring front susp - LL	-	-	2	-	
3	AL171058	Locking Pin	-	2	2	2	
4	39251604	Shoulder bolt	-	2	2	2	
5	KDBA1022	Washer_plain	-	2	2	2	
6	KDDB1018	Washer spring thin	-	2	2	2	
7	LCA00010	Nut hex thik	-	2	2	2	
8	AL171093	Link-RH assembly	-	1	1	1	
9	AL171091	Link-LH assembly	-	1	1	1	
10	AL171095	Bearing sleeve-Igus bush	-	2	2	2	
11	AB171016	Bush	-	2	2	2	
12	AL171081	Bush link pivot	-	2	2	2	
13	LJA00025	O Ring	4	4	4	4	
14	AF170008	Cap link front	-	4	4	4	
15	AL171051	Bolt For Link pivot	-	2	2	2	Link LH & RH
16	39093915	Hex nyloc nut	-	2	2	2	Link LH & RH
17	BH151089	Bracket assembly hose brake	-	1	1	1	

BA - RE  
BH - MAXIMA Z  
BB - MAXIMA XWIDE  
AL - CARGO



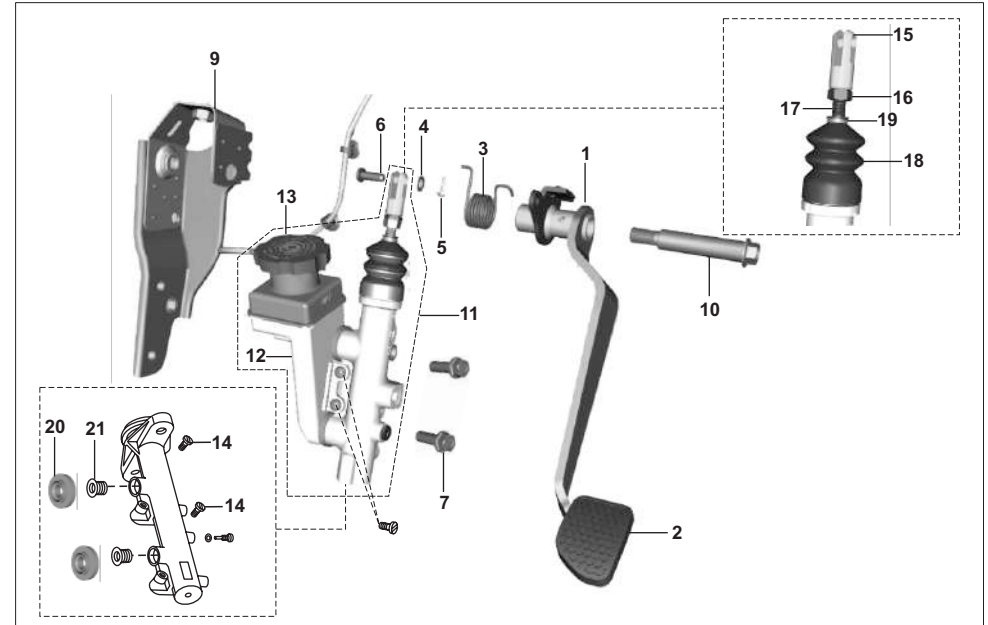
No.	Part No.	Description	BA	BH	BB	AL	Remarks
1	52AA0972	Mudguard front-AA161289	1	-	-	-	
1a	52BB0075	Front mudguard BB161099	-	1	1	1	
2	AB161182	Check plate front mudguard	1	-	-	-	
3	KAAG0625	Bolt	3	-	-	-	
4	KCGD0606	Nut hex flanged	3	-	-	-	
5	LAA00014	Bolt-M8	1	-	-	-	
6	KDDB0815	Washer sp thn	1	-	-	-	
7	39242411	Plain washer	1	-	-	-	
8	KADT0616	Bolt flanged-M6	-	4	4	4	
9	LDB00014	Washer plain	-	4	4	4	
10	BF185019	Clip plastic rivet	-	1	1	1	
11	DS161125	Cable Guide	-	1	1	1	
12	BH131817	Spacer Guide Hose	-	1	1	1	
13	24230185	Mudflap	1	-	-	-	
13	BB221015	Mudflap front	-	1	1	1	
14	24161176	Strip for front mudguard flap	1	1	1	1	
15	LDB00019	Washer plain	2	3	3	3	
16	KDDB0509	Washer sp thn	2	3	3	3	
17	KAAA0514	Bolt	2	2	2	2	
18	KCAA0504	Nut hex thick	2	2	2	2	

BA - RE  
BH - MAXIMA Z  
BB - MAXIMA XWIDE  
AL - CARGO



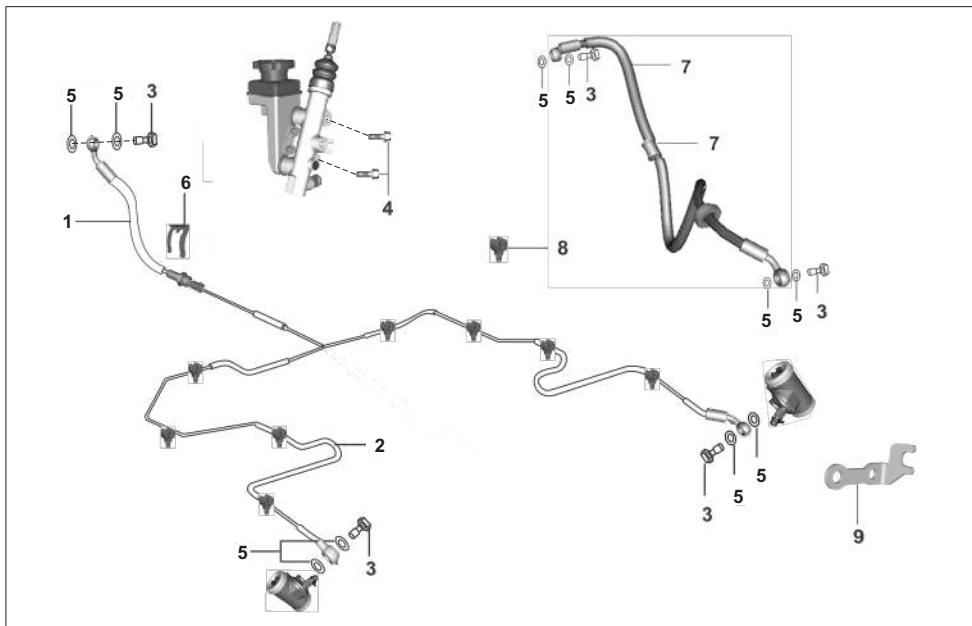
No.	Part No.	Description	BA	BH	BB	AL	Remarks
1	BH161019	Assly brake pedal with pad	1	1	1	1	
1	BB151075	Assly brake pedal with pad	-	-	-	-	
2	24151232	Pad brake pedal	1	1	1	1	
3	BH161027	Spring brake pedal retainer	1	1	1	1	
4	39019911	Plain washer	2	2	2	2	
5	KHAA2018	Pin cotter	1	1	1	1	
6	39170207	Pin - clevis with head	-	-	-	1	
7	KADD1030	Bolt Flanged	2	2	2	2	
8	39105515	Nut Hex Flanged	2	2	2	2	
9	BH161017	Assembly bkt brake pedal mtg	-	-	-	1	
10	LAD00136	Bolt flanged	-	-	-	1	
11	AH131866	Cylinder assly tandem master	1	1	1	1	
12	AA151112	Reservoir oil brake	1	1	1	1	
13	YAZ08001	Cap assy reservoir w lis	1	1	1	1	
14	24151093	Screw reservoir mtg.	2	2	2	2	
15	24151090	Fork push rod	1	1	1	1	
16	24151087	Push rod complete	1	1	1	1	
17	24151094	Hex. nut	1	1	1	1	
18	AB151070	Boot	1	1	1	1	
19	24151079	Ring lock boot tmc	1	1	1	1	

BA - RE  
 BH - MAXIMA Z  
 BB - MAXIMA XWIDE  
 AL - CARGO



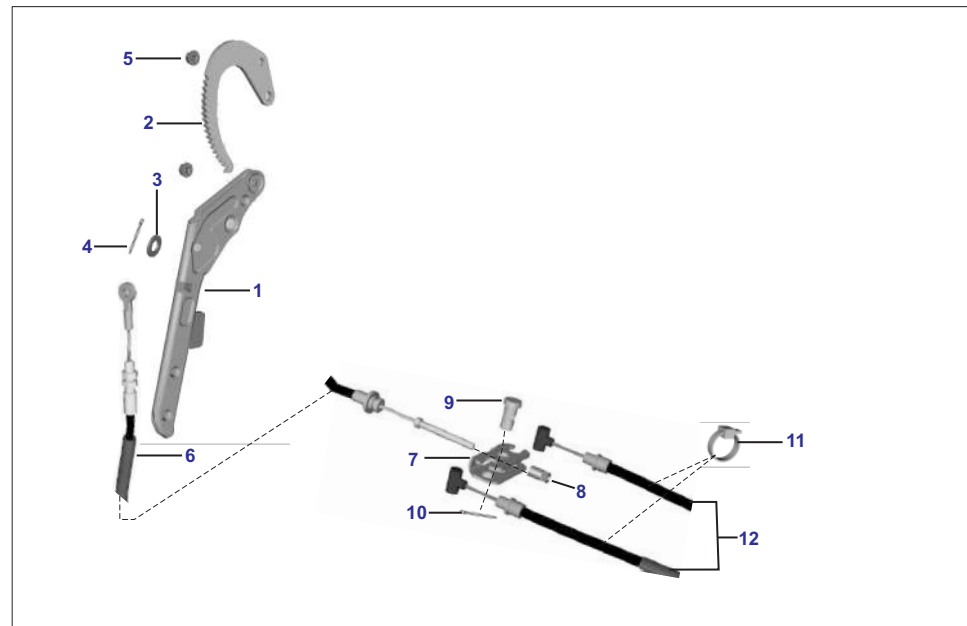
No.	Part No.	Description	BA	BH	BB	AL	Remarks
20	AL151269	Cap port feed	2	2	2	2	
21	24151092	Seal-oil supply port	2	2	2	2	
22	24151097	Major kit TMC	1	1	1	1	
23	24151098	Minor kit TMC	1	1	1	1	

BA - RE  
 BH - MAXIMA Z  
 BB - MAXIMA XWIDE  
 AL - CARGO



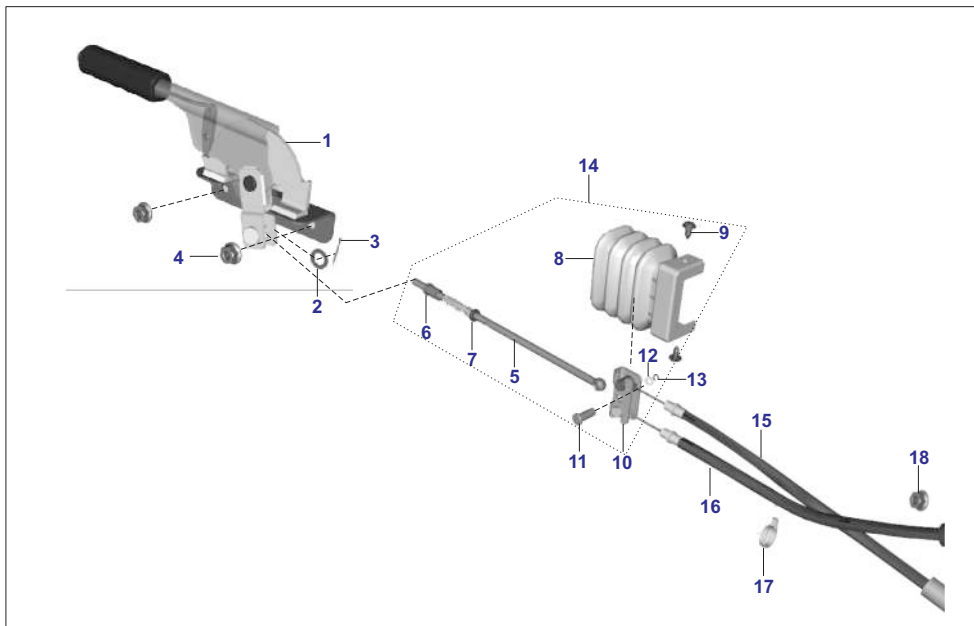
No.	Part No.	Description	BA	BH	BB	AL	Remarks
1	24151234	Hose Rear Circuit-1	1	1	-	-	
1	BB151073	Hose Rear Circuit-1	-	-	1	1	
2	AA151109	Pipe assembly brake rear	1	-	-	-	
2	BH131834	Pipe assembly brake rear	-	1	-	-	
2	BB151091	Pipe assembly brake rear	-	-	1	-	
2	AL151220	Assly Brk Pipe Rr.-2	-	-	-	1	
3	AB151049	Bolt - M10 X 1 :- Banjo, Brake	2	2	2	2	
4	KADD1030	Bolt-flange-tmc mounting	2	2	2	2	
5	21150422	Packing - Copper Washer	10	10	10	10	
6	EC131835	Clip hose	1	1	-	-	
7	AA151039	Hose Brake FR	1	-	-	-	
7	AH131845	Pipe assembly brake front	-	1	-	-	
7	BB1510 26	Hose Brake FR	-	-	1	1	
8	BG113804	Clamp brake pipe	6	6	6	6	
9	24151247	Bracket hose guide	1	-	-	-	

BA - RE  
 BH - MAXIMA Z  
 BB - MAXIMA XWIDE  
 AL - CARGO



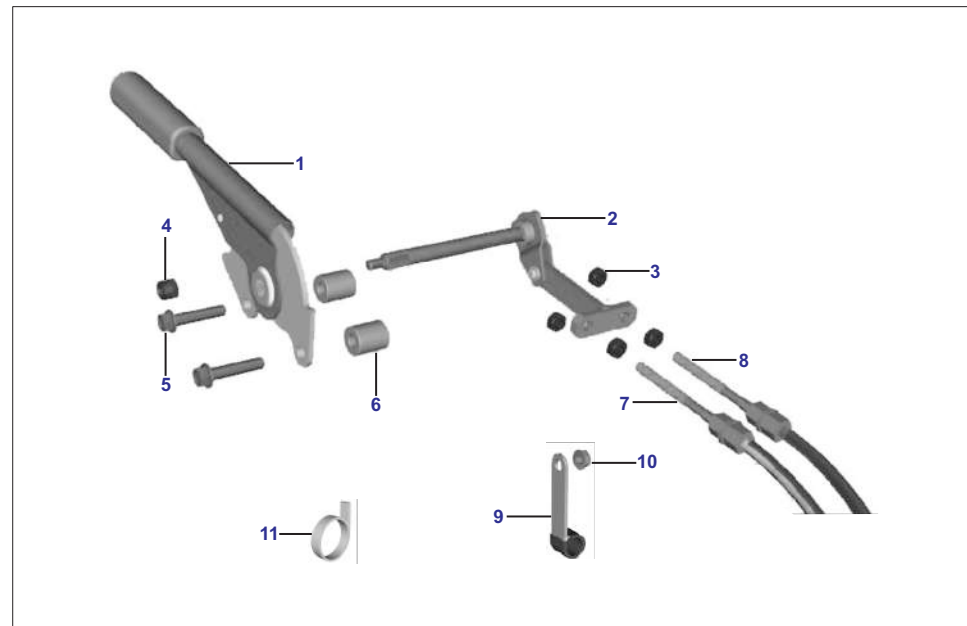
No.	Part No.	Description	BA	BH	BB	AL	Remarks
1	24151061	Lever assembly brake parking	1	-	-	-	
2	22150507	Ratchet	1	-	-	-	
3	AT131807	Collar	1	-	-	-	
4	KHAA2020	Pin cotter	1	-	-	-	
5	KCGA0808	Nut hex flanged	2	-	-	-	
6	BG131802	Cable assy hand brake front	1	-	-	-	
7	AT131820	Bracket equaliser	1	-	-	-	
8	24151238	Nut special m6 x 1 for hb cable	1	-	-	-	
9	24151068	Pin - rear cable guide	1	-	-	-	
10	KHAA2020	Pin cotter	1	-	-	-	
11	PA402204	Band(length 110mm)	2	-	-	-	
12	AA151052	Cable brake parking rear RH	2	-	-	-	

BA - RE  
 BH - MAXIMA Z  
 BB - MAXIMA XWIDE  
 AL - CARGO



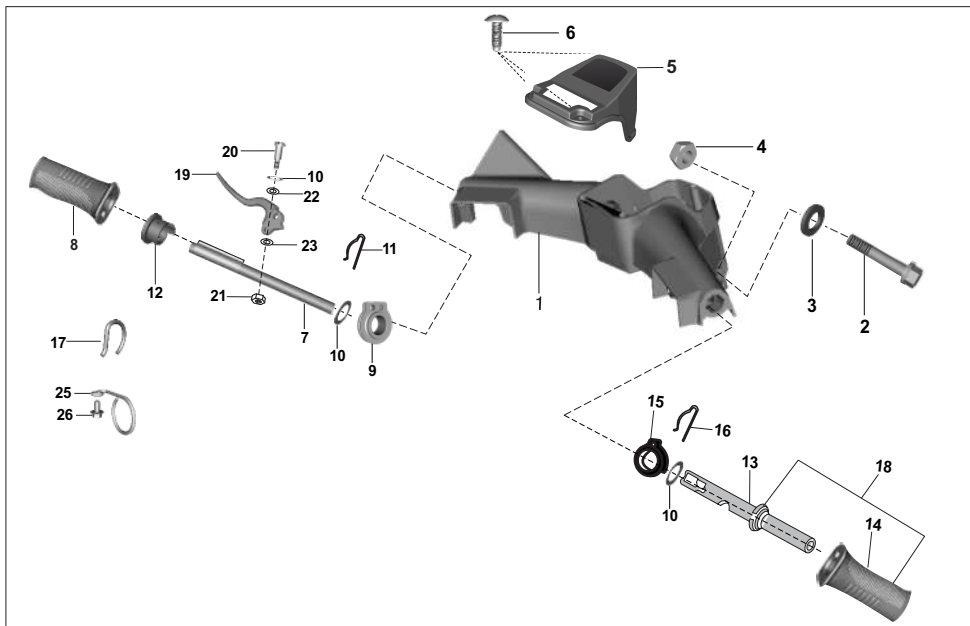
No.	Part No.	Description	BA	BH	BB	AL	Remarks
1	AZ131803	Assembly pkb lever with grip	-	1	-	-	
2	LDA00032	Washer plain	-	1	-	-	
3	KHAA2025	Pin cotter	-	1	-	-	
4	KCGA0808	Nut hex flanged	-	2	-	-	
5	AH131851	Rod brake front	-	1	-	-	
6	AZ131815	Nut special pkb	-	1	-	-	
7	KCBA0805	Nut hex thin	-	1	-	-	
8	AH131853	Cover equalizer	-	1	-	-	
9	BF185019	Clip plastic rivet	-	2	-	-	
10	AH131852	Bracket equalizer	-	1	-	-	
11	AH131861	Pin	-	1	-	-	
12	LDA00034	Washer plain	-	1	-	-	
13	KECA6008	Circlip type - E	-	1	-	-	
14	AH131850	Equalizer assembly	-	1	-	-	
15	AZ161229	Cable brake parking rear RH	-	1	-	-	
16	AH131859	Cable brake parking rear LH	-	1	-	-	
17	JD402217	Strap cable	-	2	-	-	
18	KCGA0606	Nut hex flanged	-	2	-	-	

BA - RE  
 BH - MAXIMA Z  
 BB - MAXIMA XWIDE  
 AL - CARGO



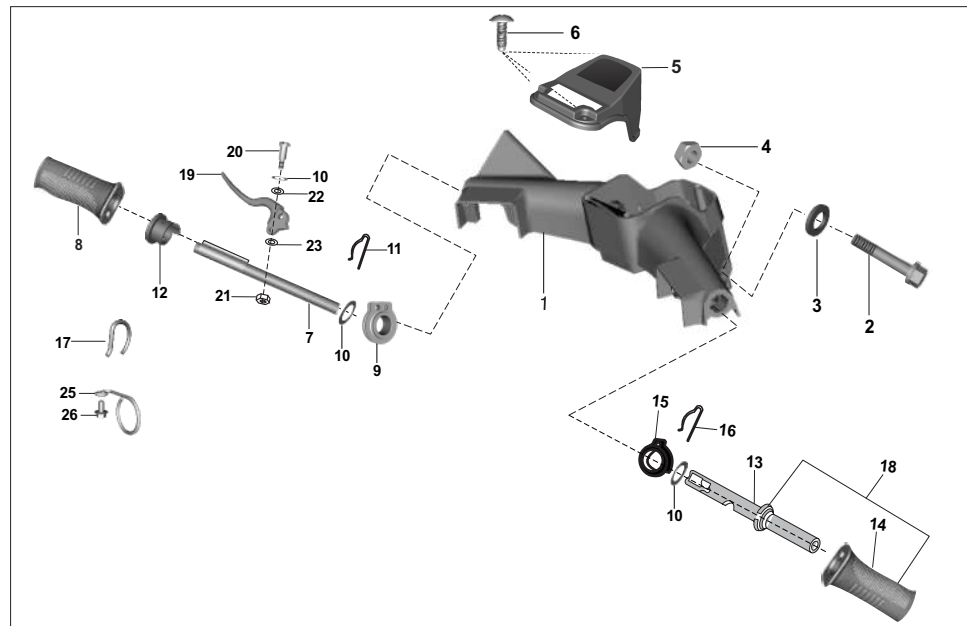
No.	Part No.	Description	BA	BH	BB	AL	Remarks
1	BB151087	Lever assembly brake parking	-	-	1	1	
2	BB151088	Puller assembly brake parking	-	-	1	1	
3	39069415	Hex lock nut-m8x1.25	-	-	4	4	
4	39069015	Nut - nyloc - M8	-	-	1	1	
5	KADD0840	Bolt flanged	-	-	2	2	
6	AL161828	Bush	-	-	2	2	
7	AN151003	Cable hand brake LH	-	-	1	-	
7	AL151222	Cable hand brake lh cargo	-	-	-	1	
8	AN151004	Cable hand brake RH	-	-	1	-	
8	AL151223	Cable brake parking RH	-	-	-	1	
9	BB191033	Clamp FL	-	-	2	2	
10	LCL00002	Nut flanged-M6	-	-	2	2	
11	JD402217	Band(L 150)	-	-	1	1	

BA - RE  
 BH - MAXIMA Z  
 BB - MAXIMA XWIDE  
 AL - CARGO



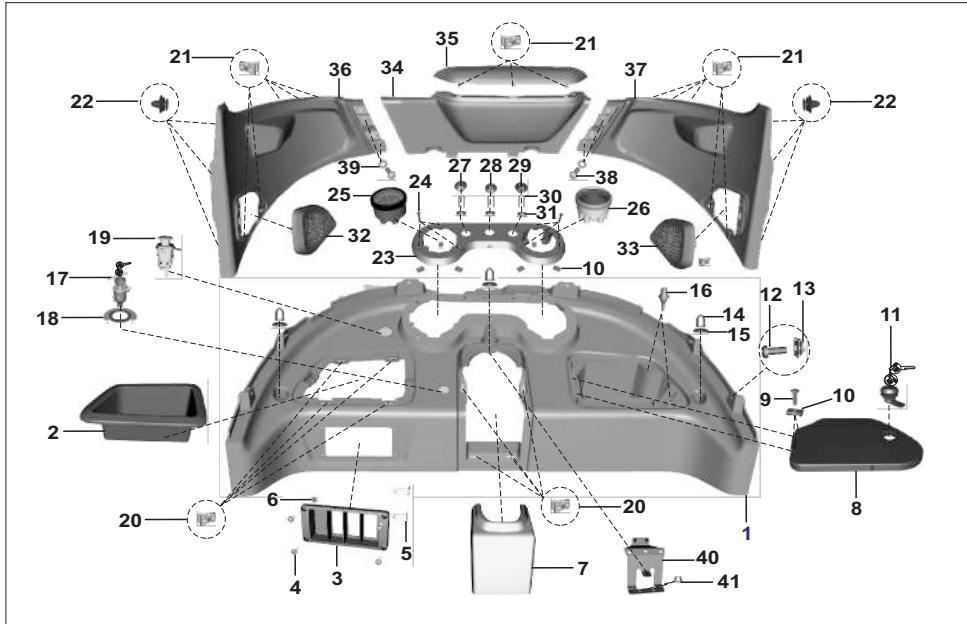
No.	Part No.	Description	BA	BH	BB	AL	Remarks
1	24151274	Handle bar body	1	1	1	1	
2	39137704	Hex. bolt with collar	1	1	1	1	
3	39020111	Plain washer	2	2	2	2	
4	LCA00010	Hex nut	1	1	1	1	
5	AP161047	Handle bar top cover	1	1	1	1	
6	KBUC0410	Screw Truss M4 X 0.7P	3	-	-	-	
6	LBU00063	Screw trus	-	3	3	3	
7	BA181021	Assly Gear Cntl Tube -HC	1	1	1	1	
8	06191089	Grip Hand gear control -HC	1	1	1	1	
9	24191184	Gear control pulley	1	1	1	1	
10	39094111	Washer plain	2	2	2	2	
11	24191185	Spring clip (Gear control tube)	1	1	1	1	
11	LHC00001	Spring clip	1	1	1	1	
12	BA181022	Indicator Ring Gear Handle Bar- HC	1	1	1	1	
13	24191098	Assly gas ctrl tube with grip	1	1	1	1	
14	06191089	Hand grip acc	1	1	1	1	
15	24191101	Pulley gas control	1	1	1	1	
16	CM191049	Spring clip (ACC tube)	1	1	1	1	
17	30121004	Ring snap	1	1	1	1	
18	24191187	Assembly gas ctrl tube with grip	1	1	1	1	
19	AA191032	Lever clutch	1	1	1	1	
20	24191105	Screw sp crs recessed	1	1	1	1	

BA - RE  
BH - MAXIMA Z  
BB - MAXIMA XWIDE  
AL - CARGO



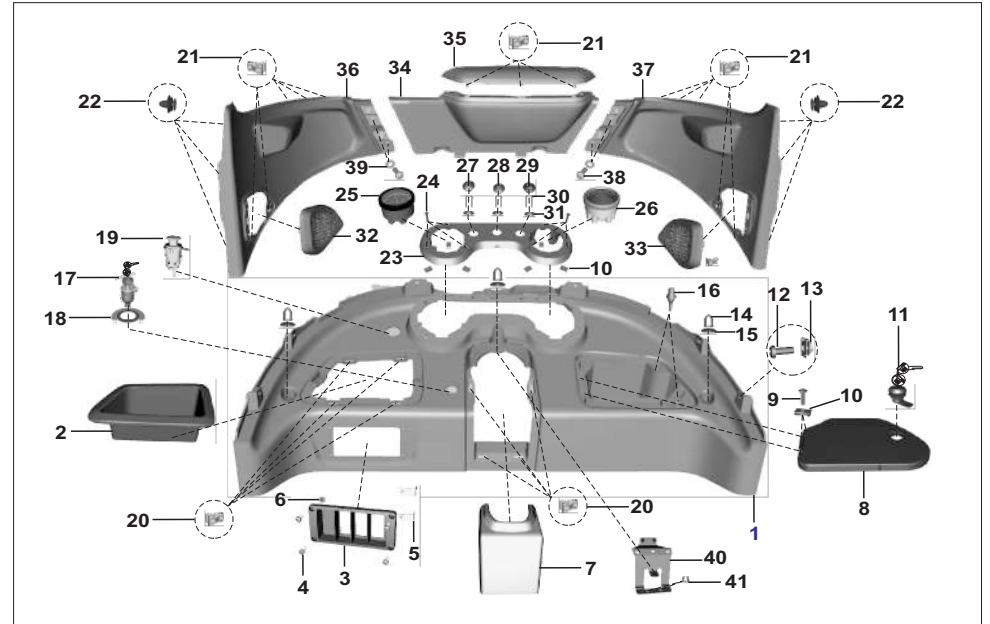
No.	Part No.	Description	BA	BH	BB	AL	Remarks
21	39032615	Nut nyloc m5x0.8	1	1	1	1	
22	03190204	Washer plain	1	1	1	1	
23	03190206	Washer plain	1	1	1	1	
24	01190205	Washer spring	1	1	1	1	
25	24181067	Guide for clutch cable	1	1	1	1	
26	KADA0510	Bolt flanged	1	1	1	1	

BA - RE  
BH - MAXIMA Z  
BB - MAXIMA XWIDE  
AL - CARGO



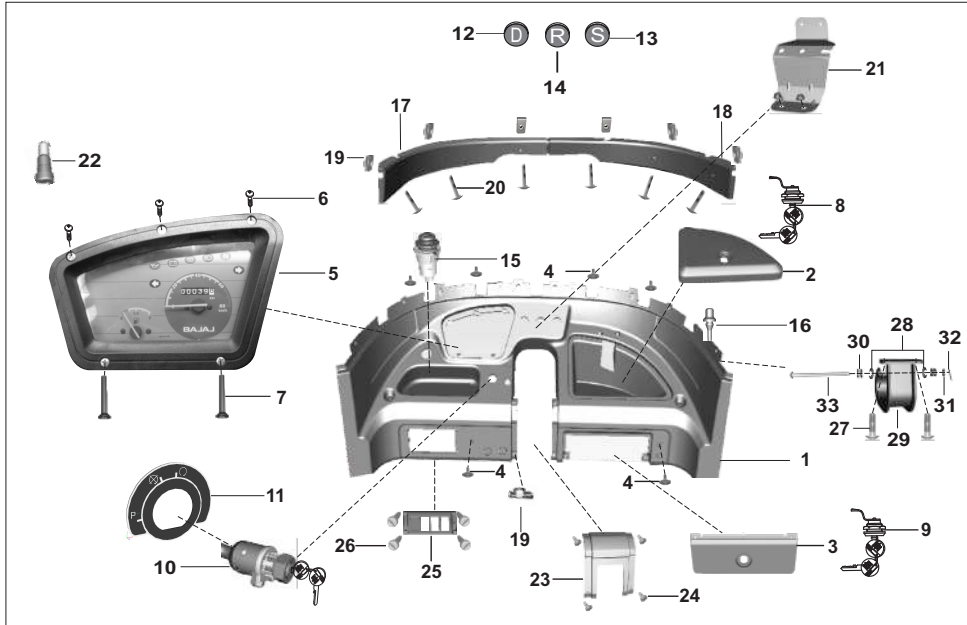
No.	Part No.	Description	BA	BH	BB	AL	Remarks
1	AA161446	Dashboard	1	1	-	-	
2	AA161481	Box assembly utility	1	1	-	-	
3	24161492	Cover for switches	1	1	-	-	
4	KBBC0514	Screw pan cross-m5X0.8	4	4	-	-	
5	AA161420	Bracket assembly	2	2	-	-	
6	KCGD0505	Nut hex flanged-m5X0.8	2	2	-	-	
7	AA161444	Cover middle	1	1	-	-	
8	AA161443	Lid toolbox	1	1	-	-	
9	KBUC0416	Screw truss	2	2	-	-	
10	CE181015	Nut clip	8	8	-	-	
11	AL161172	Lock lid/stereo lid- kit	2	2	-	-	
12	KBBA0514	Screw pan cross	6	6	-	-	
13	JG171031	Clip nut M5	2	2	-	-	
14	39170415	Domed cap nut M6	3	3	-	-	
15	LDB00015	Washer plain-ID	3	3	-	-	
16	24230198	Pad rubber	2	2	-	-	
17	36BA4013	Ignition switch w/o starter-	1	1	-	-	BA201173
18	BA231200	Plate parking-ignition	1	1	-	-	
19	AA201515	Socket charger	1	1	-	-	
20	BF182266	Metallic tower clip	8	8	-	-	
21	BF182011	Metallic tower clip fascia	13	13	-	-	
22	AH185012	Clip	6	6	-	-	

BA - RE  
BH - MAXIMA Z  
BB - MAXIMA XWIDE  
AL - CARGO



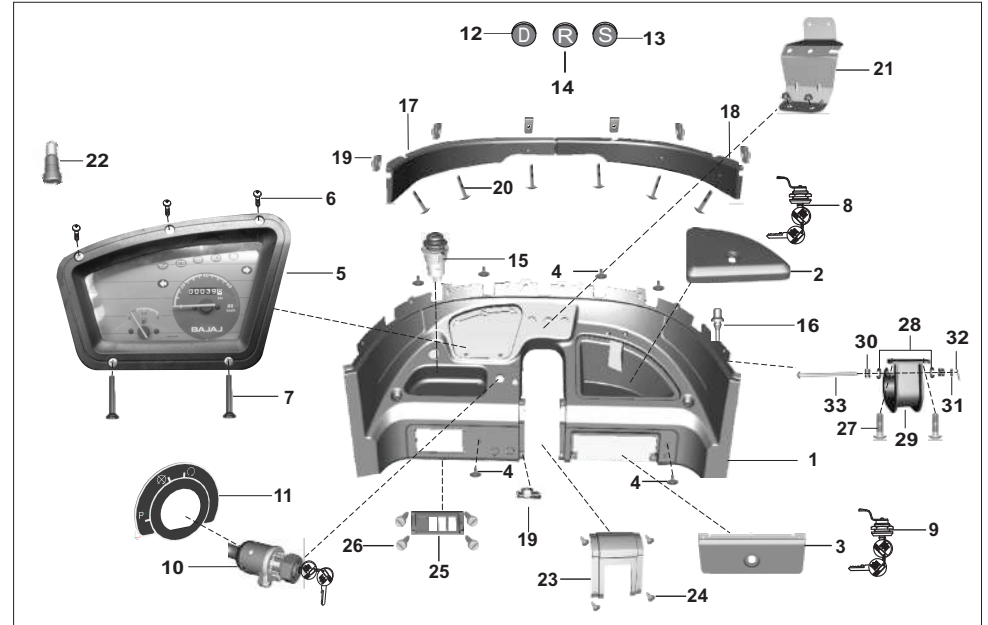
No.	Part No.	Description	BA	BH	BB	AL	Remarks
23	BA161202	Cover speedometer	1	1	-	-	
24	KBDC0425	Screw csk rd cros-M4	6	6	-	-	
25	BA201186	Speedometer with lamp	1	-	-	-	
25	AZ402403	Speedometer	-	1	-	-	
26	BA201239	Indicator pod RH	1	1	-	-	
27	AL191039	Knob-cable decomp. Fix end	1	1	-	-	
28	BH161225	Knob reverse	1	1	-	-	
29	BH161226	Knob - stop cable	1	1	-	-	
30	BH161221	Nut hexagon	3	3	-	-	
31	KDAA1222	Washer_plain_small	3	3	-	-	
32	AA161439	Cover speaker LH	1	1	-	-	
33	AA161440	Cover speaker RH	1	1	-	-	
34	AA161437	Trim middle	1	1	-	-	
35	AA161438	Trim middle upper	1	1	-	-	
36	AA161433	Trim upper LH	1	1	-	-	
37	AA161435	Trim upper RH	1	1	-	-	
38	KBBA0514	Screw pan cross	6	6	-	-	
39	KDBA0512	Washer_plain	6	6	-	-	
40	AA161225	Bracket control mounting	1	1	-	-	
41	KCGD0808	Nut hex flanged	2	2	-	-	

BA - RE  
BH - MAXIMA Z  
BB - MAXIMA XWIDE  
AL - CARGO



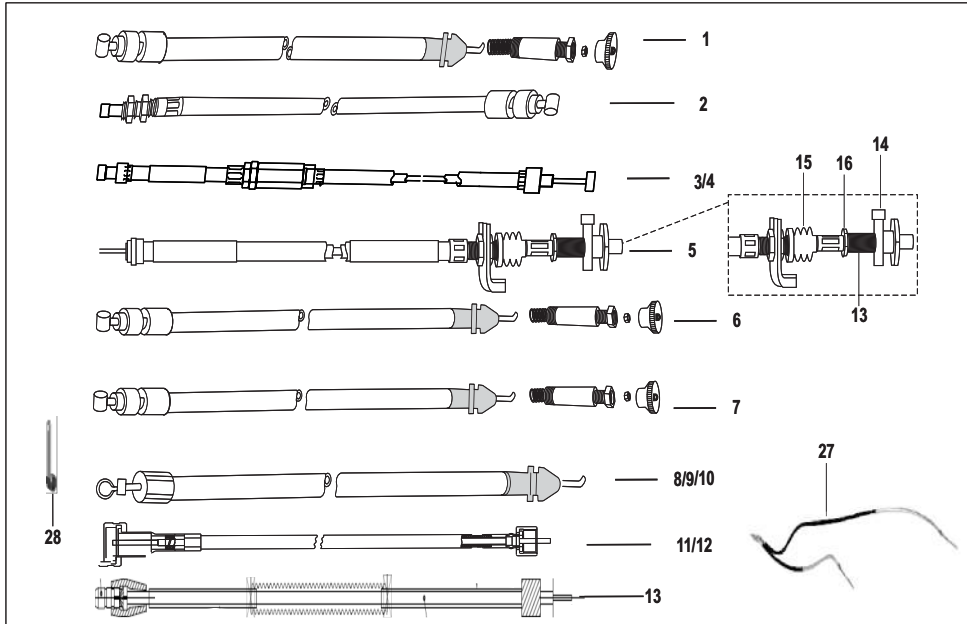
No.	Part No.	Description	BA	BH	BB	AL	Remarks
1	BB161124	Assembly dashboard complete fl	-	-	1	1	
1	BB161123	Dashboard plastic	-	-	1	1	
2	AL161382	Lid glove box	-	-	1	1	
3	AL161390	Assembly lid stereo	-	-	1	1	
4	LBU00051	Screw truss	-	-	6	6	
5	BB191062	Speedometer	-	-	1	1	
6	AL191028	Screw M4	-	-	3	3	
7	KBCD0430	Screw crs res csk m4	-	-	2	2	
8	36AL0015	Glove box lock with key kit	-	-	1	1	Kit-08
9	36AL0016	Stero box lock with key kit	-	-	1	1	Kit-12
10	36BA4013	Ignition switch w/o starter with key	-	-	1	1	
11	AL201078	Label parking off on	-	-	1	1	
12	AL191039	Knob-D	-	-	1	1	
13	BH161226	Knob S	-	-	1	1	
14	BH161225	Knob R	-	-	1	1	
15	AL201100	Mobile charger	-	-	1	1	
16	24230198	Pad - rubber	-	-	2	2	
17	BB161101	Trim upper large RH	-	-	1	1	
18	BB161100	Trim upper large LH	-	-	1	1	
19	35161060	Nut clip	-	-	10	10	
20	LBU00047	Screw pan cross M5x28	-	-	6	6	
21	BB161130	Bracket knob mounting	-	-	1	1	

BA - RE  
BH - MAXIMA Z  
BB - MAXIMA XWIDE  
AL - CARGO



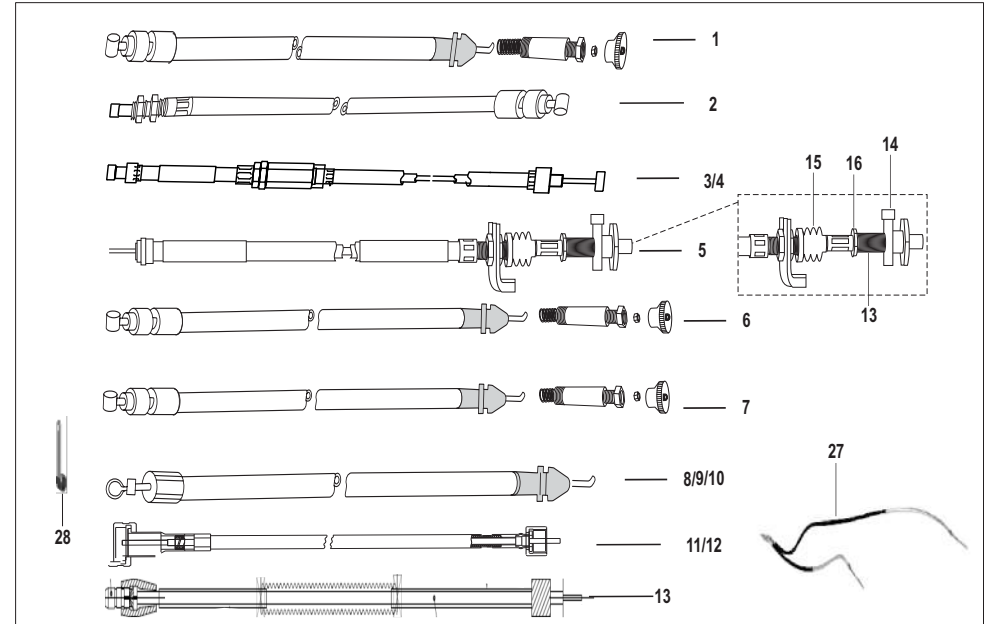
No.	Part No.	Description	BA	BH	BB	AL	Remarks
22	30201084	Lamp 12V 2W	-	-	9	9	
23	AL161381	Cover steering	-	-	1	1	
24	KBUF0516	Screw truss	-	-	6	6	
25	AN161086	Cover switch with 3 slots	-	-	1	1	
26	KBBA0514	Screw slotted cheese head	-	-	2	2	
27	KBRC3513	Screw tapping pan cros	-	-	2	2	
28	39096011	Washer curved spring	-	-	3	3	
29	AL161184	Hinge glove box LID	-	-	1	1	
30	AL161185	Clip glove box LID	-	-	2	2	
31	LDA00043	Washer	-	-	1	1	
32	KHAA1612	Pin split	-	-	1	1	
33	AL161186	Pin dashboard hinge	-	-	1	1	

BA - RE  
BH - MAXIMA Z  
BB - MAXIMA XWIDE  
AL - CARGO



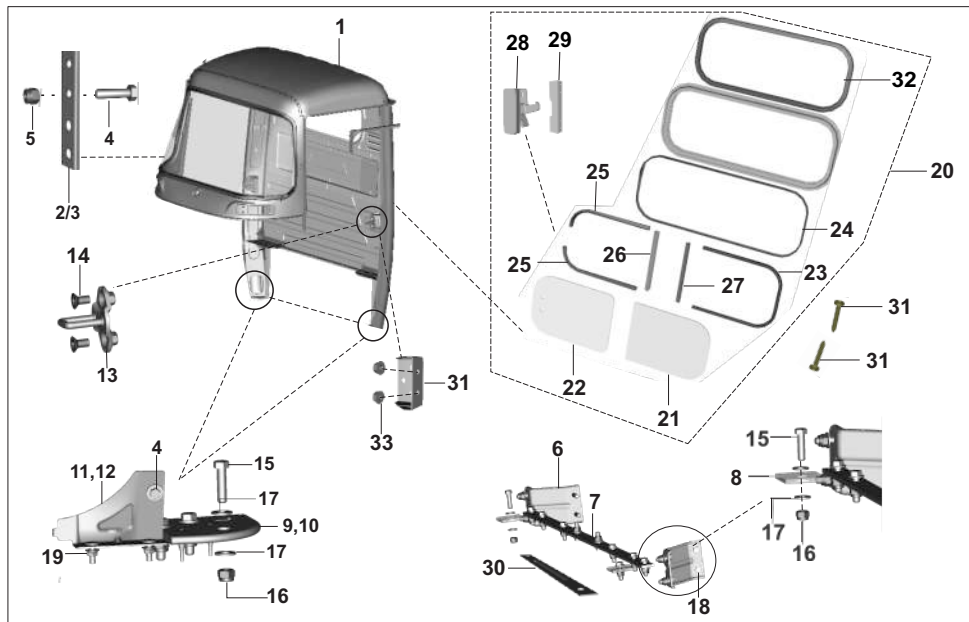
No.	Part No.	Description	BA	BH	BB	AL	Remarks
1	BA191090	Cable Assly Decomp.	1	-	-	-	
1	BH161232	Cable decompression	-	1	-	-	
1	BH161224	Cable decompression	-	-	1	-	
1	AL191065	Cable decomp cargo	-	-	-	1	
2	BA191084	Cable accelerator fixed end	1	-	-	-	
2	BB191038	Cable accelerator	-	1	-	-	
2	BH161234	Cable accelerator	-	-	1	-	
2	AL191083	Cable accelerator	-	-	-	1	
3	BB191054	Gear cable com. White	1	1	1	-	
3	BH161241	Gear cable com. White	1	1	1	-	Fr. 02.03.21
3	AL191077	Cable gear white	-	-	-	1	
4	BB191055	Gear cable comp-Black	1	1	1	-	
4	BH161242	Gear cable comp-Black	1	1	1	-	Fr. 02.03.21
4	AL191076	Cable gear black	-	-	-	1	
5	BA191092	Cable clutch complete	1	-	-	-	
5	BH161211	Cable clutch complete	-	1	-	-	
5	BB191051	Cable clutch	-	-	1	-	
5	AL191070	Cable hand clutch	-	-	-	1	
6	BA191097	Cable assembly eng stop	1	1	-	-	
6	BH161223	Cable assy comp eng stop	-	-	1	-	
6	AL191063	Cable assembly eng stop	-	-	-	1	
7	BA191093	Reverse cable	1	-	-	-	
7	BH161237	Cable reverse	-	1	-	-	
7	BH161216	Cable reverse	-	-	1	-	

BA - RE  
BH - MAXIMA Z  
BB - MAXIMA XWIDE  
AL - CARGO



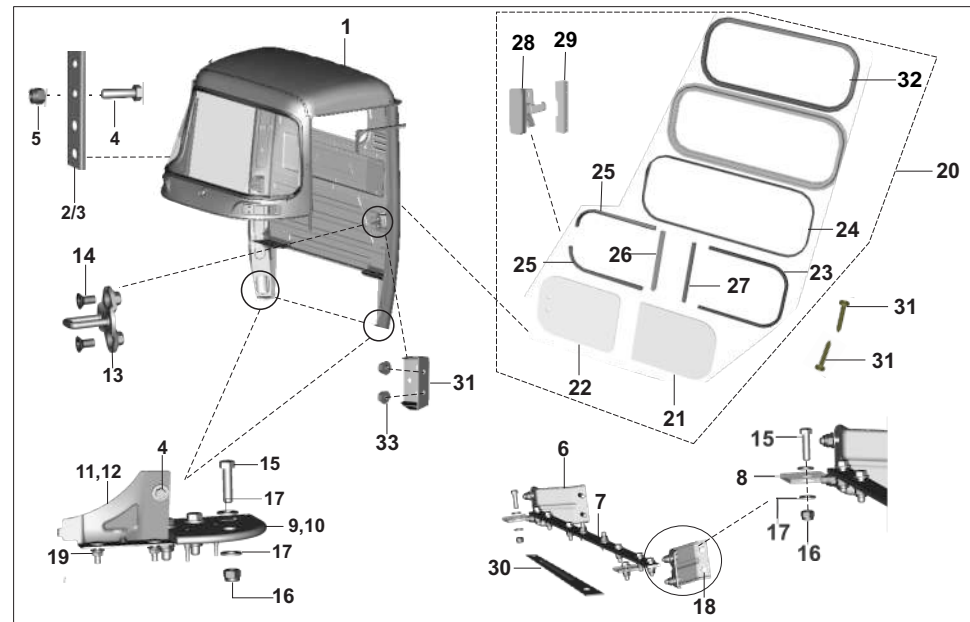
No.	Part No.	Description	BA	BH	BB	AL	Remarks
7	AL191060	Cable reverse complete	-	-	-	1	
8	BG131802	Cable assly - hand brake FR	1	-	-	-	
9	AH131859	Cable brake parking rear LH	-	1	-	-	
9	AN151003	Cable hand brake lh	-	-	1	-	
9	AL151222	Cable hand brake lh cargo	-	-	-	1	
10	AA151052	Cable assly H. brake rear RH	1	-	-	-	
10	AZ161229	Cable brake parking rear RH	-	1	-	-	
10	AN151004	Cable hand brake RH	-	-	1	-	
10	AL151223	Cable hand brake rh cargo	-	-	-	1	
11	BA191085	Cable assly speedometer	1	-	-	-	
11	BH161202	Cable speedometer	-	1	1	-	
11	AL191082	Cable assly speedometer	-	-	-	1	
12	BA191086	Cable Inner speedometer	1	-	-	-	
12	BH161203	Cable inner speedometer	-	1	1	-	
12	AL191081	Cable inner speedometer	-	-	-	1	
13	BA191032	Spring clutch adjusting	1	1	1	1	
14	BA191031	Nut sp clutch adjusting	1	1	1	1	
15	24191197	Boot rubber for clutch cable	1	1	1	1	
16	KCAA0605	Nut hex thick clutch cable	1	1	1	-	

BA - RE  
BH - MAXIMA Z  
BB - MAXIMA XWIDE  
AL - CARGO



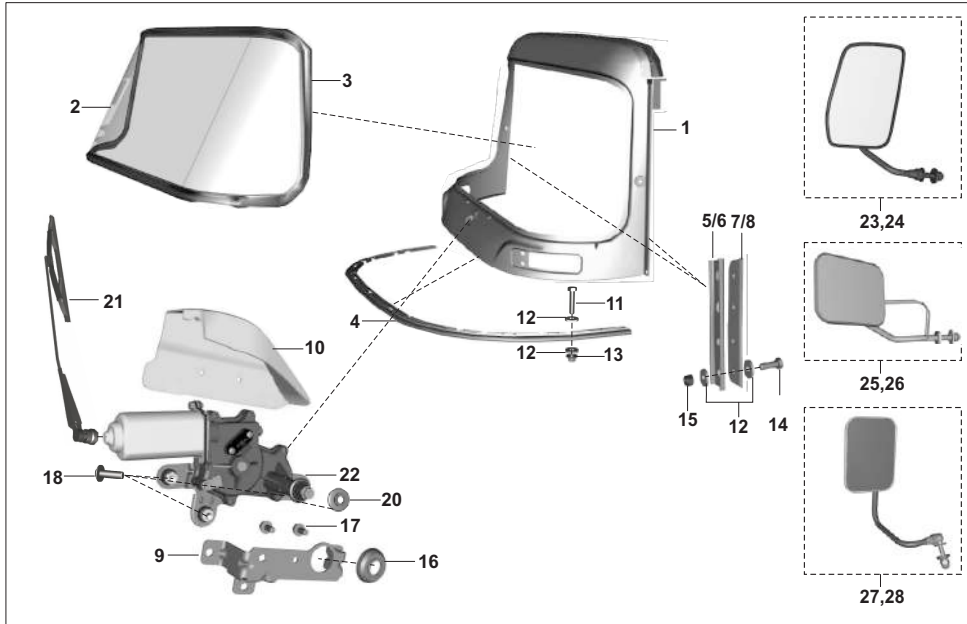
No.	Part No.	Description	BA	BH	BB	AL	Remarks
1	52AL0393	Assembly cabin top - AL241419	-	-	-	1	ED
2	AL241445	Joint plate L	-	-	-	1	
3	AL241446	Joint plate RH	-	-	-	1	
4	KAAA0518	Bolt	-	-	-	4	
5	KCHA0507	Nyloc nut	-	-	-	4	
6	AL161661	Panel connecting	-	-	-	2	
7	AL241578	Packing upper cabin	-	-	-	1	
8	AL241697	Packing cabin	-	-	-	2	
9	AL241577	Rubber packing LH	-	-	-	1	
10	AL241679	Rubber packing RH	-	-	-	1	
11	AL161705	Extension panel sill outer LH	-	-	-	1	
12	AL161706	Extension panel sill outer RH	-	-	-	1	
13	AL241344	Latch striker door	-	-	-	2	
14	KBCA0816	Screw csk - cross	-	-	-	4	
15	KAAA0830	Bolt	-	-	-	16	
16	KCHA0809	Nut nyloc	-	-	-	20	
17	KDBB0818	Washer plain	-	-	-	44	
18	KAAA0825	Bolt	-	-	-	8	
19	KCGA0505	Flange nut	-	-	-	4	
20	AL241795	Assembly back window	-	-	-	1	Alt-AL241873
21	AL241786	Glass fixed back window	-	-	-	1	NS
22	AL241787	Glass sliding back window	-	-	-	1	NS

BA - RE  
BH - MAXIMA Z  
BB - MAXIMA XWIDE  
AL - CARGO



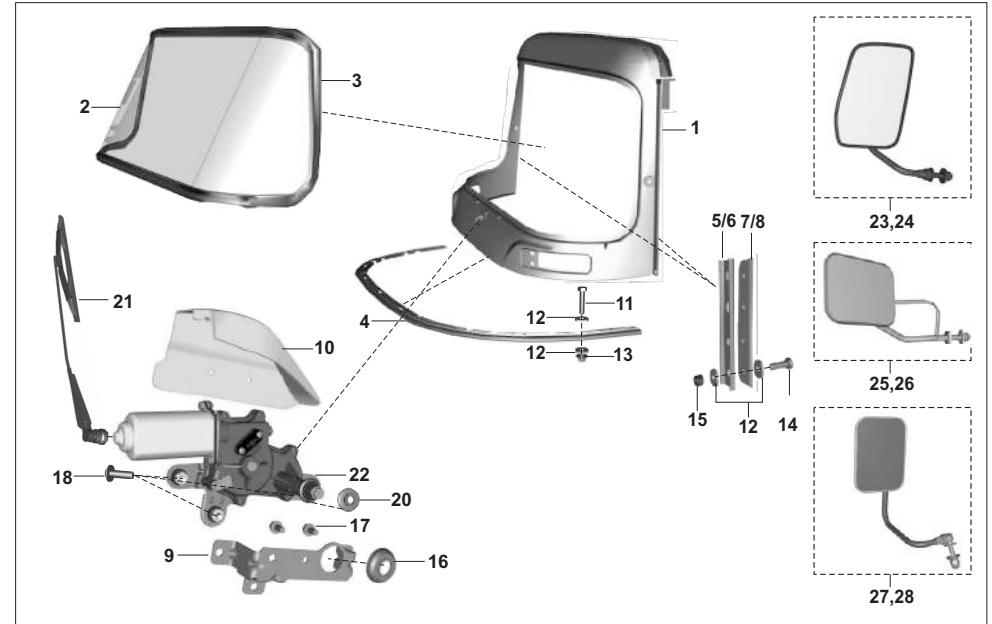
No.	Part No.	Description	BA	BH	BB	AL	Remarks
23	AL 241788	Beading fixed glass back	-	-	-	1	NS
24	AL241789	Beading sliding glass back	-	-	-	1	NS
25	AL241790	Beading frame back window	-	-	-	2	NS
26	AL241791	Channel dividing back window	-	-	-	1	NS
27	AL241792	Beading channel back window	-	-	-	1	NS
28	AL241811	Assly latch-sliding glass window	-	-	-	1	
29	AL241817	Catch plate - sliding glass latch	-	-	-	1	
30	AL161744	Plate nut cabin MTG	-	-	-	4	
31	AL241761	Bracket striker MTG	-	-	-	4	
32	AL241796	Beading fixed glass	-	-	-	2	
33	KCGF0808	Nut hex flanged	-	-	-	4	

BA - RE  
BH - MAXIMA Z  
BB - MAXIMA XWIDE  
AL - CARGO



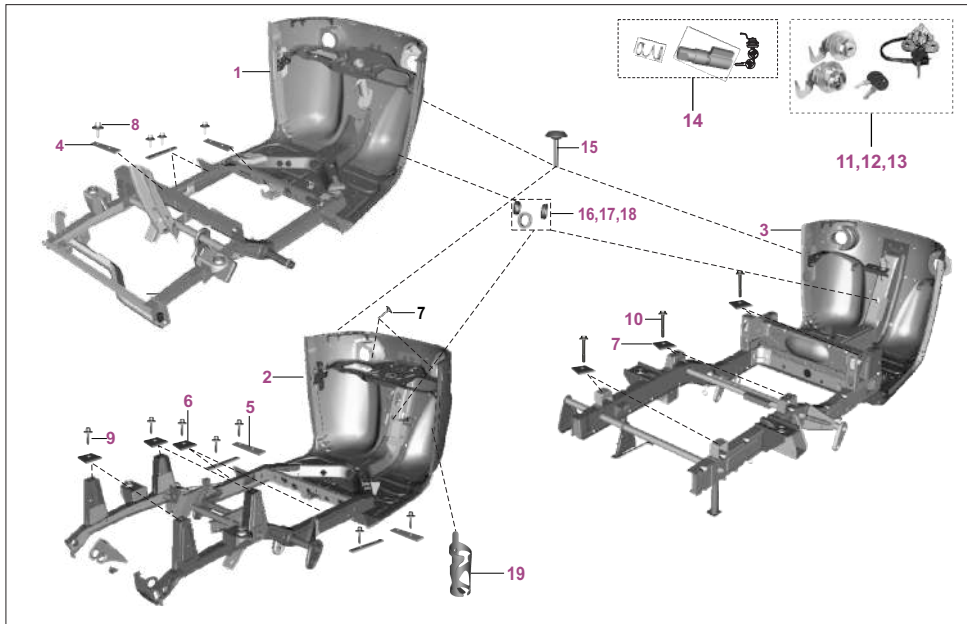
No.	Part No.	Description	BA	BH	BB	AL	Remarks
1	52BH0419	Frame assembly windshield	1	1	-	-	Aa231521
1	52240645	Frame assembly windshield-	-	-	1	-	
2	BH184000	Glass green windshield one piece	1	1	1	1	
3	AA231239	Beading one piece w/s glass	1	1	1	1	
4	24231641	Packing for shield & windshield	1	1	1	1	
5	24231615	Joint plate LH	1	1	1	-	
6	24231616	Joint plate RH	1	1	1	-	
7	AF161296	Bracket LH	1	1	1	-	
8	AF161297	Bracket RH	1	1	1	-	
9	24231625	Bracket wiper motor mounting	1	1	1	1	
10	AA231223	Cover wiper motor	-	-	1	1	
11	KAAA0525	Bolt	11	11	11	11	
12	39025811	Plain washer	32	32	32	32	
13	KCGA0505	Nut hex flanged	11	11	11	11	
14	KCEA0504	Nut domed cap single piece	8	8	8	-	
15	39032615	Flanged nut	8	8	8	8	
16	BH111071	Cap for wiper motor	1	1	1	1	
17	KADA0612	Bolt flanged	2	2	2	2	
18	LAC00008	Bolt socket - special head M6X1	3	3	3	3	
19	KCEC0504	Nut domed cap single piece	-	-	2	2	
20	24201525	Grommet wiper motor big	1	1		1	

BA - RE  
BH - MAXIMA Z  
BB - MAXIMA XWIDE  
AL - CARGO



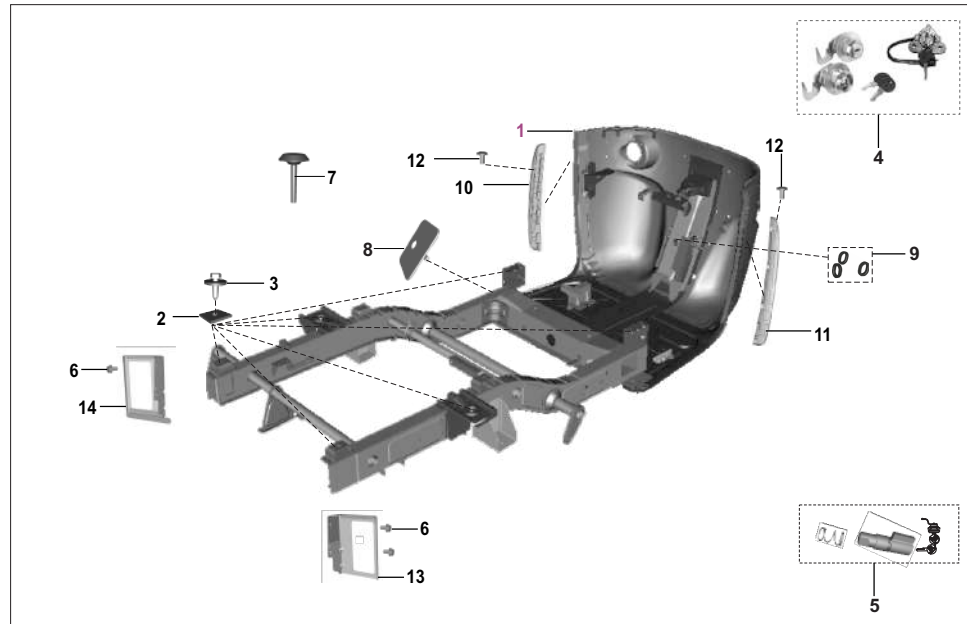
No.	Part No.	Description	BA	BH	BB	AL	Remarks
21	AL241023	Wiper assly	1	1	1	1	
22	AA201263	Wiper Motor	1	1	1	1	
23	AA221043	MIRROR RH- NEW	1	-	-	-	
24	AA221042	MIRROR LH- NEW	1	-	-	-	
25	BB221018	Mirror RH	-	1	-	1	
26	BB221017	Mirror LH	-	1	-	1	
27	AT184602	Mirror assembly-LH	-	-	1	-	
28	AT184601	Mirror assembly-RH	-	-	1	-	

BA - RE  
BH - MAXIMA Z  
BB - MAXIMA XWIDE  
AL - CARGO



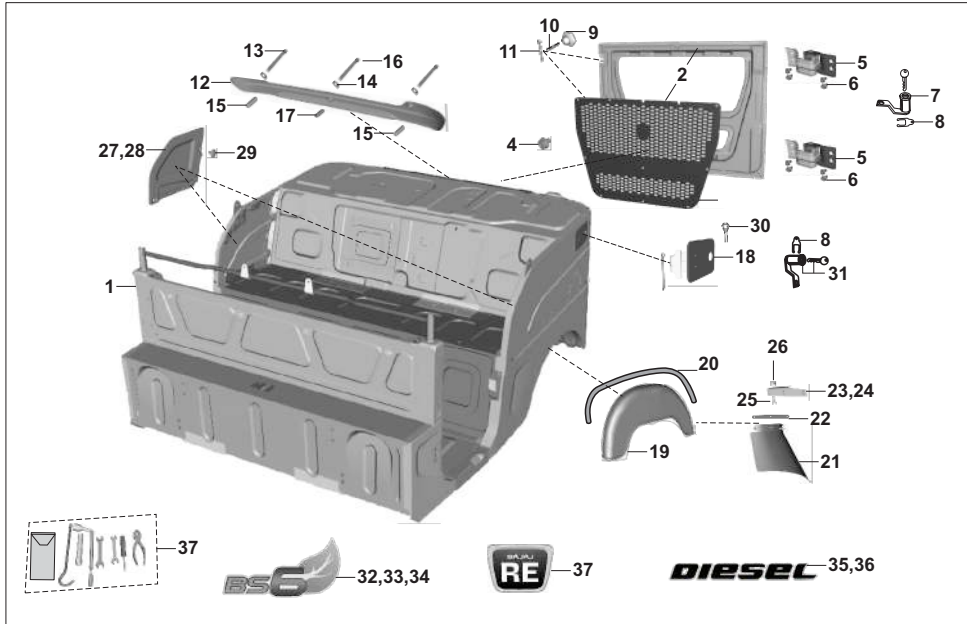
No.	Part No.	Description	BA	BH	BB	AL	Remarks
1	52BA0891	Assembly chassis bare	1	-	-	-	
2	52BH0417	Assembly chassis bare	-	1	-	-	
3	52AL0871	Assembly chassis bare	-	-	-	1	
4	24231726	Packing for body	8	-	-	-	
5	24231336	Packing for body	-	3	-	-	
6	AL161392	Packing	-	6	-	-	
7	AL241769	Packing ballata	-	-	-	6	
8	AA231245	Bolt combination	8	-	-	-	
9	BH211077	Bolt hex with flange M8 X 1.25	-	10	-	-	
10	AL241784	Bolt combination tray	-	-	-	6	
11	BA181023	Set lock	1	-	-	-	
12	BH232605	Lock set	-	1	-	-	
13	AL181046	Set lock	-	-	-	1	
14	36244042	Lock assly steering with key kit	1	1	-	-	
15	BH111116	Grommet headlamp mounting bkt	4	4	-	-	
16	AZ161009	Grommet	3	-	-	-	
17	24165230	Grommet upper part	3	3	-	-	
18	24165169	Grommet for upper part	-	-	-	3	
19	24161446	Holder water bottle	-	1	-	-	

BA - RE  
 BH - MAXIMA Z  
 BB - MAXIMA XWIDE  
 AL - CARGO



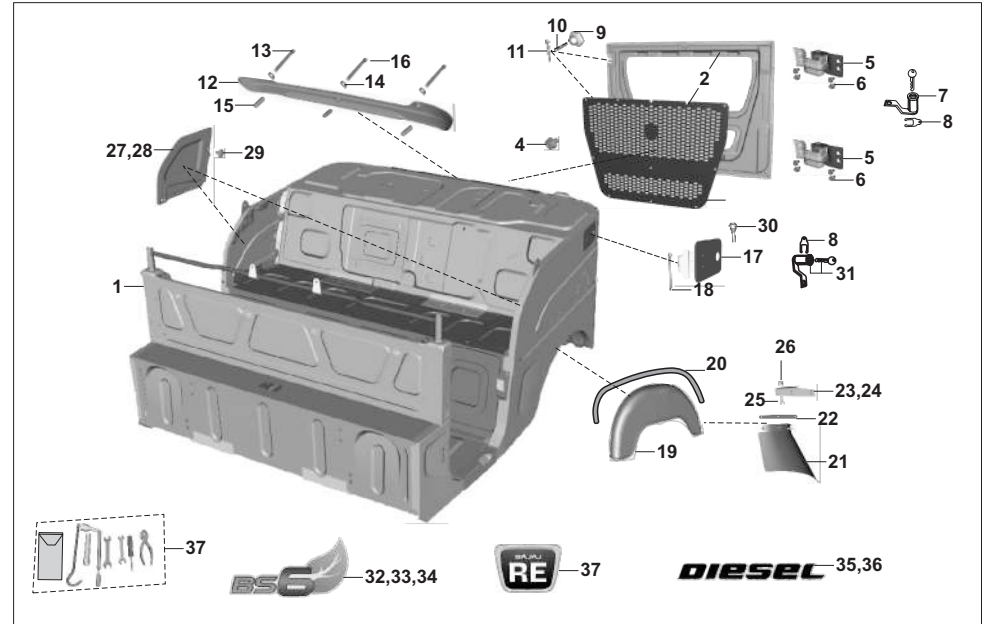
No.	Part No.	Description	BA	BH	BB	AL	Remarks
1	52BB0666	Assembly chassis bare	-	-	1	-	
2	AL161069	Packing-chassis and tray frame	-	-	6	-	
3	AA231245	Bolt combination	-	-	8	-	
4	BB181038	Set lock	-	-	1	-	
5	36BB0029	Lock assly steering with key kit	-	-	1	-	
6	KADA0814	Bolt flanged	-	-	4	4	
7	BH111116	Grommet headlamp mounting bkt	-	-	4	-	
8	BB161048	Cover lockable member	-	-	1	-	
9	24165169	Grommet for upper part	-	-	3	-	
10	52AT0091	Ascia front btm LH green	-	-	1	-	
10	52AT0085	Fascia front btm LH yellow	-	-	1	-	
10	52AT0087	Fascia front btm LH black	-	-	1	-	
10	52AT0089	Fascia front btm LH white	-	-	1	-	
10	52AT0093	Fascia front btm LH green	-	-	1	-	
10	52AT0095	Front bottom LH red	-	-	1	-	
11	52AT0092	Fascia front btm RH green	-	-	1	-	
11	52AT0086	Fascia front btm RH yellow	-	-	1	-	
11	52AT0088	Fascia front btm RH black	-	-	1	-	
11	52AT0090	Fascia front btm RH white	-	-	1	-	
11	52AT0094	Fascia front btm RH green	-	-	1	-	
11	52AT0096	Front bottom RH red	-	-	1	-	
12	KBUA0510	Screw truss- WB	-	-	1	-	
13	AT111137	Bracket lamp tail LH- WB	-	-	1	1	
14	AT111138	Bracket assembly lamp tail RH	-	-	1	1	

BA - RE  
 BH - MAXIMA Z  
 BB - MAXIMA XWIDE  
 AL - CARGO



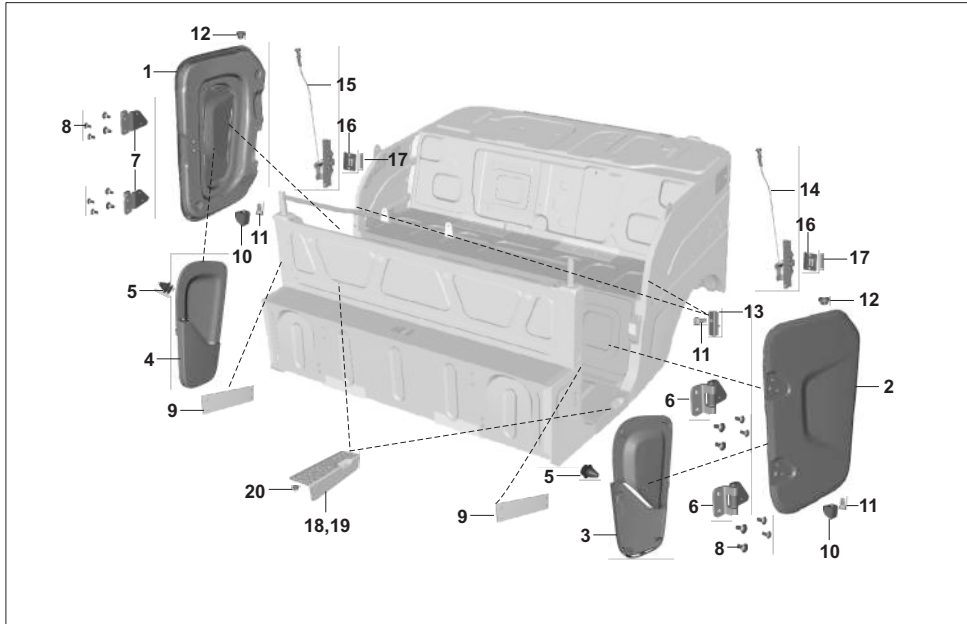
No.	Part No.	Description	BA	BH	BB	AL	Remarks
1	52BA0892	Assembly body	1	-	-	-	
2	52AF0580	Door assembly rear-Af231569	1	-	-	-	Alt-52AF0621
4	KADF0608	Bolt flanged	11	-	-	-	
5	AF231573	Hinge door rear	2	-	-	-	
6	KADF0612	Bolt flanged	8	-	-	-	
7	36244024	Lock for rear door- kit no	1	-	-	-	
8	1160717	Lock clip	2	-	-	-	
9	24231245	Knob for rear door	2	-	-	-	
10	1140116	Bolt clamping	2	-	-	-	
11	KHAA3228	Pin cotter	2	-	-	-	
12	52AH0296	Bumper rear	1	-	-	-	Ah113812
13	KDAB1018	Washer_plain_small	3	-	-	-	
14	KADD08A5	Bolt flanged-M8	2	-	-	-	
15	BA161206	Spacer	2	-	-	-	
16	KAAG0875	Bolt	1	-	-	-	
17	24165273	Sleeve bumper mtg mid	1	-	-	-	
18	52AA1557	Door filling fuel	1	-	-	-	Aa231514
19	52210040	Mudguard assembly rear 25231062	1	-	-	-	
20	25231064	Beading for mudguard	1	-	-	-	
21	24230185	Mudflap rear	2	-	-	-	
22	24231157	Stripe re mudguard flap	2	-	-	-	
23	24231090	Angle right hand rear mud flap	1	-	-	-	

BA - RE  
 BH - MAXIMA Z  
 BB - MAXIMA XWIDE  
 AL - CARGO



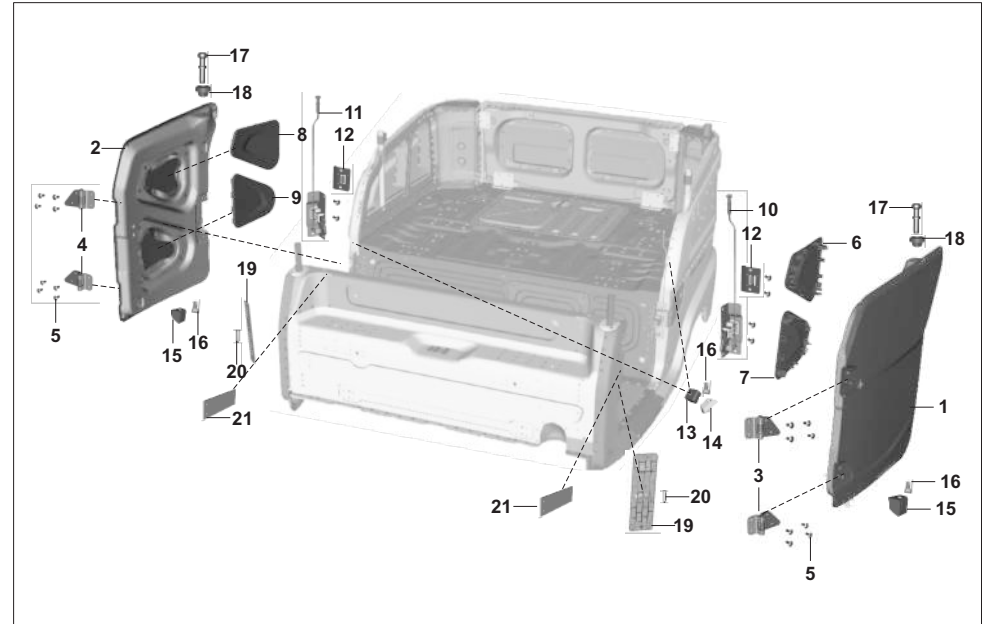
No.	Part No.	Description	BA	BH	BB	AL	Remarks
24	24231091	Angle left hand rear mud flap	1	-	-	-	
25	KAAA0514	Bolt	10	-	-	-	
26	KCGA0505	Nut hex flanged	4	-	-	-	
27	AF231754	Cover panel body LH	1	-	-	-	
28	AF231755	Cover panel body RH	1	-	-	-	
29	BB231644	Clip cover body	6	-	-	-	
30	24230176	Knob complete for door	1	-	-	-	
31	36244044	Lock fuel filling door with key	1	-	-	-	
32	AA231437	Label BS6 RH	1	-	-	-	
33	AF231499	Label BS6 FRONT	1	-	-	-	
34	AF231500	Label BS6 LH	1	-	-	-	
35	BA231196	side label diesel fr.02.03.2019	1	-	-	-	
36	BA231197	rear label diesel fr.02.03.2019	1	-	-	-	
37	BA220006	Tool kit complete	1	-	-	-	
38	AA231435	Emblem bajaj RE	1	-	-	-	

BA - RE  
 BH - MAXIMA Z  
 BB - MAXIMA XWIDE  
 AL - CARGO



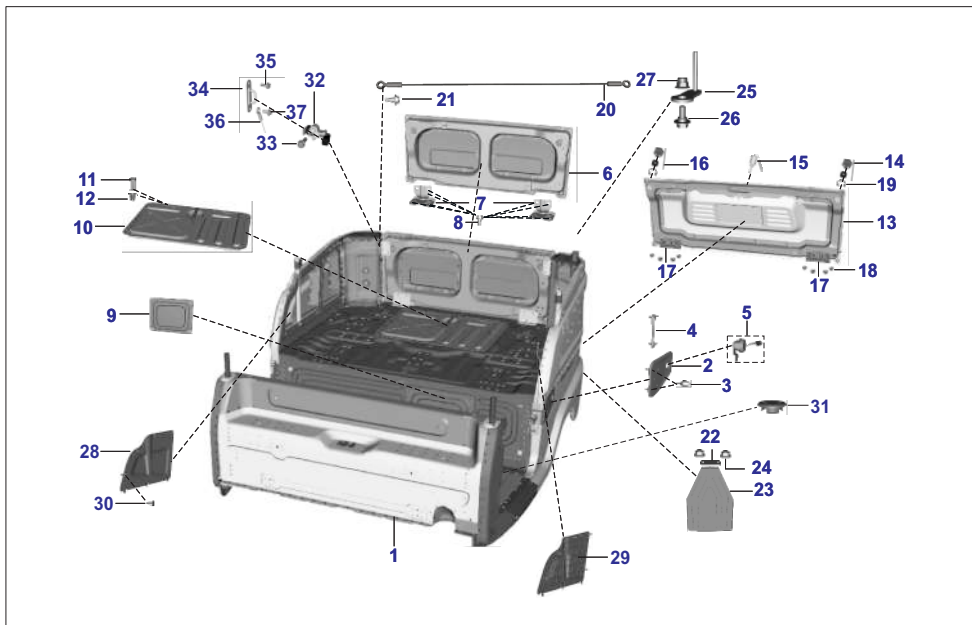
No.	Part No.	Description	BA	BH	BB	AL	Remarks
1	52AF0546	Door assembly RH-AF231689	1	-	-	-	Alt-52AH0349
2	52AF0547	Door assembly LH-Af231688	1	-	-	-	Alt-52AH0351
3	AF231756	Trim door inner LH	1	-	-	-	
4	AF231757	Trim door inner RH	1	-	-	-	
5	AH185007	Clip	10	-	-	-	
6	AZ241401	Assembly hinge side door LH	2	-	-	-	
7	AZ241402	Assembly hinge side door RH	2	-	-	-	
8	KBUC0614	Screw truss	40	-	-	-	
9	AL241662	Strip door limiting cargo	2	-	-	-	
10	AZ241032	Damper side door lwr	2	-	-	-	
11	KBBA0616	Screw pan cross	4	-	-	-	
12	AZ241039	Guide knob mtg side door	2	-	-	-	
13	AF231708	Damper	2	-	-	-	
14	AF231702	Latch door LH	1	-	-	-	
15	AF231703	Latch door RH	1	-	-	-	
16	AF231775	Plate striker	2	-	-	-	
17	JF181324	Foam belly pan	2	-	-	-	
18	AF231650	Plate scuff LH	1	-	-	-	
19	AF231742	Plate scuff RH	1	-	-	-	
20	KCGA0505	Nut hex flanged	4	-	-	-	

BA - RE  
BH - MAXIMA Z  
BB - MAXIMA XWIDE  
AL - CARGO



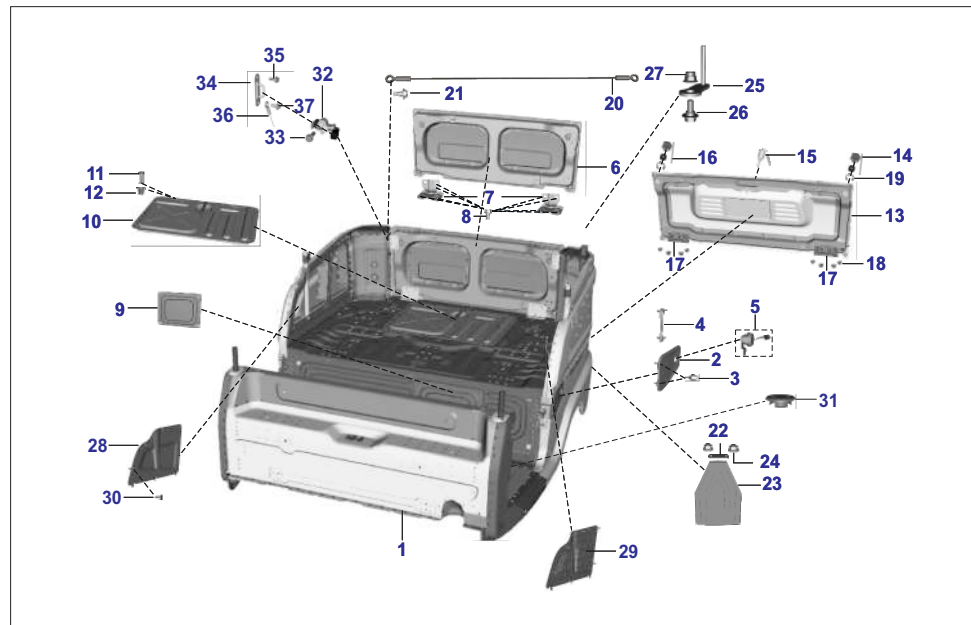
No.	Part No.	Description	BA	BH	BB	AL	Remarks
1	52AZ0176	Assbly side door LH	-	1	-	-	
2	52AZ0177	Assly side door RH	-	1	-	-	
3	AZ241401	Assly hinge side door LH	-	2	-	-	
4	AZ241402	Assly hinge side door RH	-	2	-	-	
5	KBUC0614	Screw truss	-	40	-	-	
6	AZ181004	Trim door top-LH	-	1	-	-	
7	AZ181005	Trim door bottom-LH	-	1	-	-	
8	AZ181006	Trim door top-RH	-	1	-	-	
9	AZ181007	Trim door bottom-RH	-	1	-	-	
10	AZ242002	Latch assly side door LH	-	1	-	-	
11	AZ242003	Latch assly side door RH	-	1	-	-	
12	AZ242004	Plate striker latch	-	2	-	-	
13	AZ241031	Damper side door upr ug	-	2	-	-	
14	AZ241029	Damper body side upr	-	2	-	-	
15	AZ241032	Damper side door lwr	-	2	-	-	
16	KBBA0616	Screw pan cross	-	6	-	-	
17	AL241395	Knob door lock	-	2	-	-	
18	AZ241039	Guide knob mtg side door ug	-	2	-	-	
19	AZ181204	Cover trim	-	2	-	-	
20	BF241152	Clip	-	8	-	-	
21	AL241662	Strip door limiting cargo	-	2	-	-	

BA - RE  
BH - MAXIMA Z  
BB - MAXIMA XWIDE  
AL - CARGO



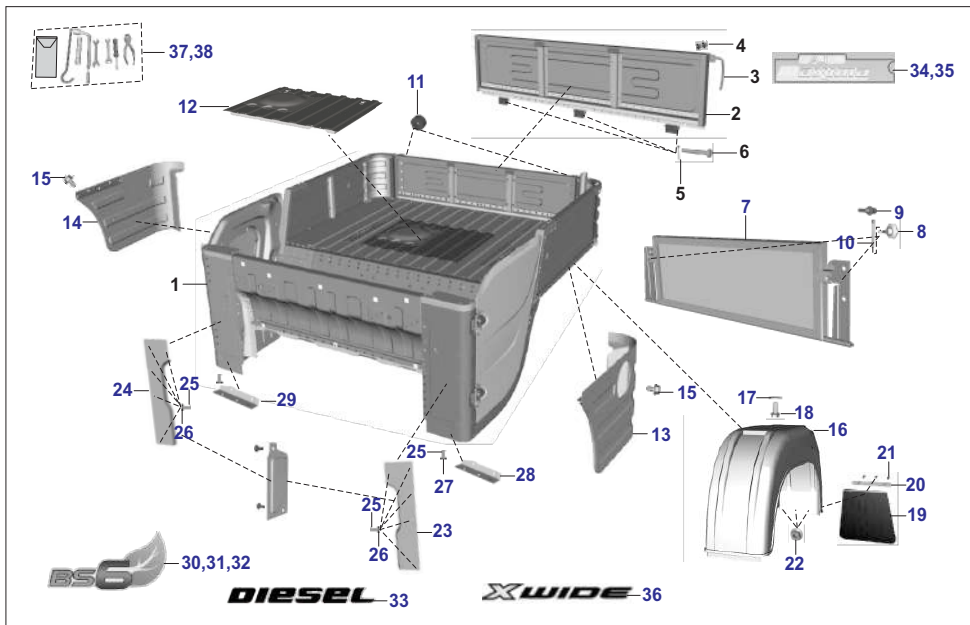
No.	Part No.	Description	BA	BH	BB	AL	Remarks
1	52AZ0432	Body assembly-door	-	1	-	-	AZ211042
2	52AZ0178	Door assembly fuel filling	-	1	-	-	
3	6221028	Shockabsorber pad	-	2	-	-	
4	AZ241009	Assly hinge door fuel fil	-	1	-	-	
5	36AZ0051	Door fuel filling lock with key	-	1	-	-	
6	52AZ0180	Door rear upper	-	1	-	-	
7	AZ247000	Assly hinge RR upper door	-	2	-	-	
8	KADF0816	Bolt flanged	-	22	-	-	
9	52AZ0174	Cover battery access	-	1	-	-	
10	52BH0210	Door engine access	-	1	-	-	
11	KBUC0516	Screw	-	2	-	-	
12	AL161509	Grommet screw eng door	-	2	-	-	
13	52BH0209	Door rear engine access	-	1	-	-	
14	BH211165	Knob rear door lower	-	2	-	-	
15	BH211163	Rubber damper rear door upper	-	2	-	-	
16	BH211158	Rubber damper rear door lower	-	1	-	-	
17	AZ244017	Assly hinge eac	-	2	-	-	
18	KCGC0606	Nut hinge- rear door eac	-	8	-	-	
19	KECA0415	Circlip-type-e-	-	2	-	-	
20	AZ244026	Cable door holding	-	2	-	-	
21	BH211057	Bolt shoulder	-	4	-	-	

BA - RE  
 BH - MAXIMA Z  
 BB - MAXIMA XWIDE  
 AL - CARGO



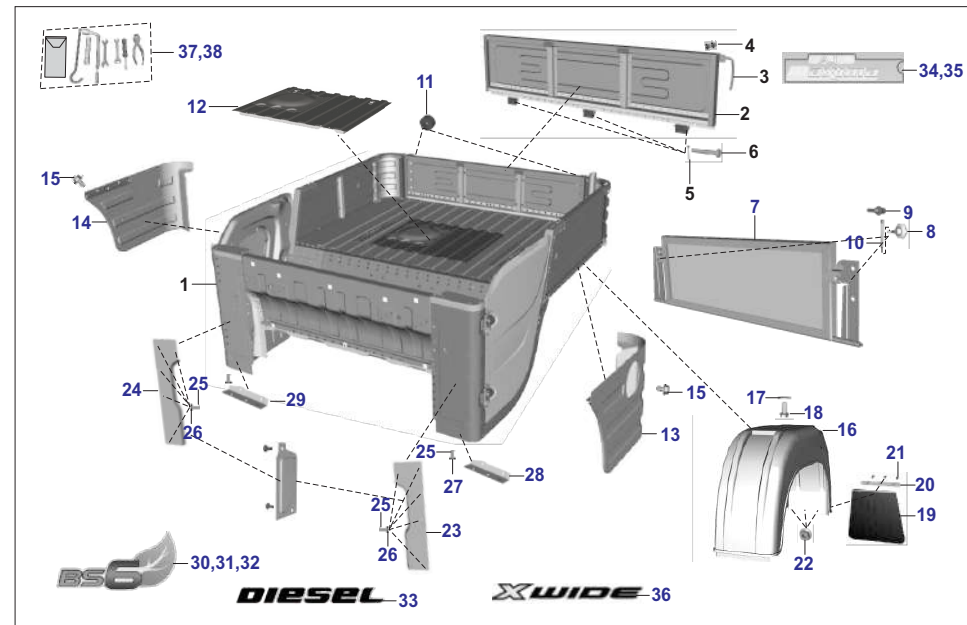
No.	Part No.	Description	BA	BH	BB	AL	Remarks
22	BH181402	Plate for mudflap	-	2	-	-	
23	AZ181401	Mud flap	-	2	-	-	
24	DS151094	Flanged nut	-	4	-	-	
25	BH211201	Assly plate link frame body	-	1	-	-	
26	GF161156	Bolt step-m6x1-olive	-	1	-	-	
27	KCKA0609	Nut nyloc flanged	-	1	-	-	
28	AZ182402	Trim pad pass body RH- Z	-	1	-	-	
29	AZ182401	Trim pad pass body LH- Z	-	1	-	-	
30	BF241152	Rivet plastic door edge beading - Z	-	10	-	-	
31	AZ182403	Cap spare wheel mtg cutout	-	1	-	-	
32	BH241800	Latch door rear upper	-	2	-	-	
33	LAD00064	Bolt flanged	-	2	-	-	
34	BH211051	Bracket hook upper door	-	2	-	-	
35	KADF0616	Bolt flanged	-	2	-	-	
36	AZ244026	Cable door holding	-	2	-	-	
37	BH211057	Bolt shoulder	-	4	-	-	

BA - RE  
 BH - MAXIMA Z  
 BB - MAXIMA XWIDE  
 AL - CARGO



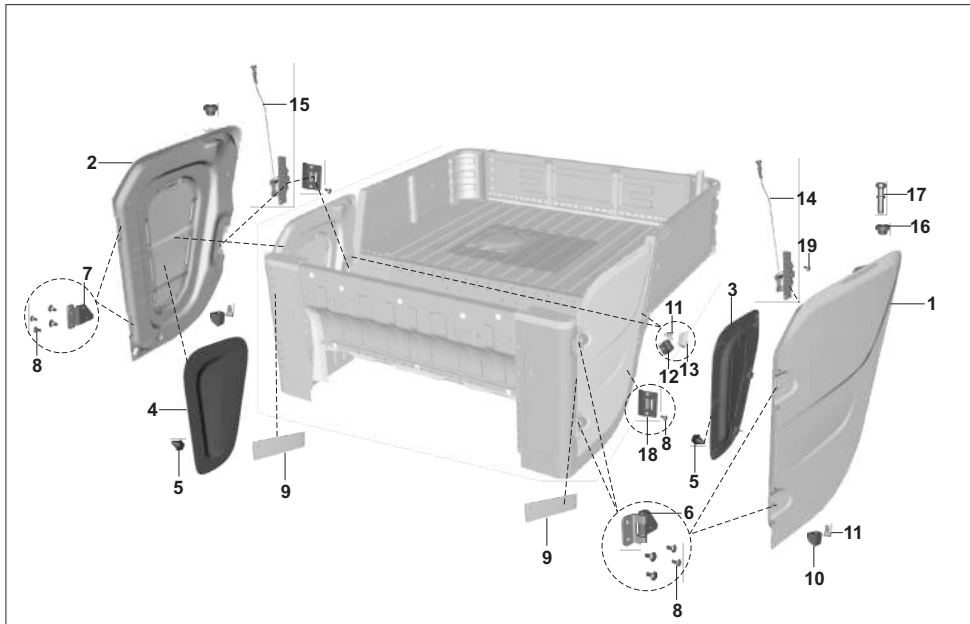
No.	Part No.	Description	BA	BH	BB	AL	Remarks
1	52AT0293	Body assembly-door	-	-	1	-	AT211484
2	52BB0361	Door rear upper -WB	-	-	1	-	
3	AL241277	Handle assembly LH	-	-	1	-	
3	AL241278	Handle assembly RH	-	-	1	-	
4	39029615	Hexagon nut	-	-	4	-	
5	KHAA3225	Pin cotter	-	-	3	-	
6	LHE00005	Pin -dia. 8XL 85	-	-	3	-	
7	BB161171	Assembly guard rear	-	-	1	1	
8	24231245	Knob rear door lower	-	-	2	2	
9	24230198	Pad rubber	-	-	2	2	
10	KHAA3228	Pin cotter	-	-	2	2	
11	AL241767	Rubber stopper tray rear door	-	-	2	2	
12	52BB0362	Door engine access -AT211407	-	-	1	-	
13	52AT0139	Cover rear LH- BB231369 ED	-	-	1	-	
14	52AT0140	Cover rear RH- BB231370 ED	-	-	1	-	
15	KADA0510	Bolt flanged-WB	-	-	14	14	
16	AL161377	Rear mudguard	-	-	2	2	
17	LDB00014	Washer plain	-	-	8	8	
18	KADF0618	Bolt-flanged-small-WB	-	-	8	8	
19	AL161226	Mud flap For rear mudguard	-	-	2	2	
20	AL161229	Strip for mud flap	-	-	2	2	
21	KAAA0514	Bolt	-	-	6	6	

BA - RE  
 BH - MAXIMA Z  
 BB - MAXIMA XWIDE  
 AL - CARGO



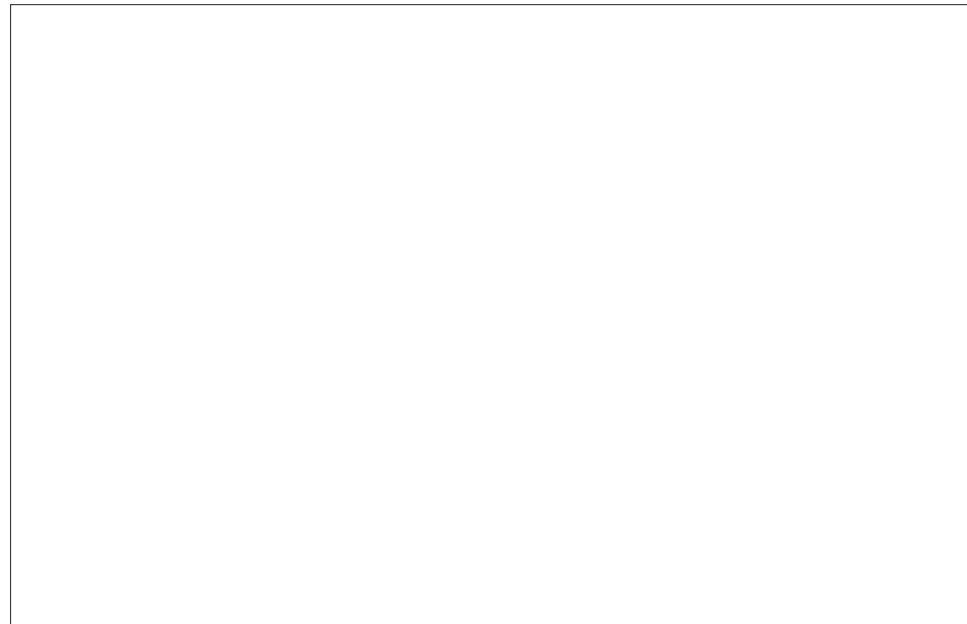
No.	Part No.	Description	BA	BH	BB	AL	Remarks
22	KCGA0505	Nut	-	-	6	6	
23	52AT0135	Cover panel bolttable body LH-	-	-	1	-	At211281
24	52AT0136	Cover panel bolttable body RH-	-	-	1	-	At211282
25	KBUA0614	Screw truss	-	-	21	-	
26	LDB00023	Washer plain	-	-	15	-	
27	KDBB1022	Washer_plain	-	-	6	-	
28	52BB0367	Cover pillar B LH	-	-	1	-	
29	52BB0373	Cover pillar B RH	-	-	1	-	
30	AT233009	Decal BS6 LH	-	-	1	-	
31	AT233011	Decal BS6 RH	-	-	1	-	
32	AT233010	Decal BS6 REAR	-	-	1	-	
33	BA220003	Emblem diesel	-	-	1	1	
34	BB231659	Label bajaj maxima hd white	-	-	1	1	
35	BB231658	Label bajaj maxima hd black	-	-	1	1	
36	BB231712	Label x wide white	-	-	1	-	
37	BB221005	Toolkit complete	-	-	1	-	
38	BB221008	Toolkit complete	-	-	-	1	

BA - RE  
 BH - MAXIMA Z  
 BB - MAXIMA XWIDE  
 AL - CARGO



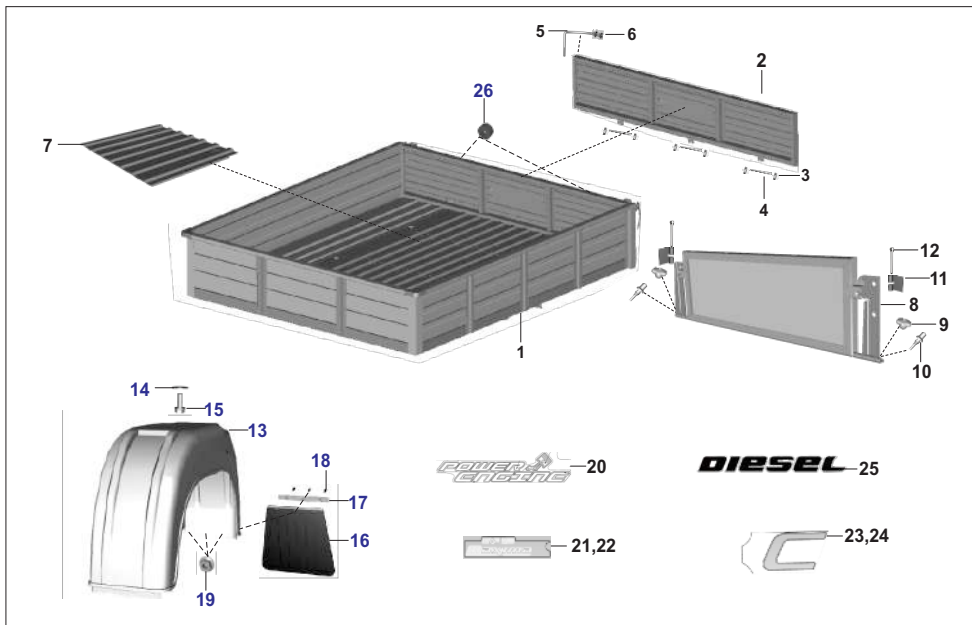
No.	Part No.	Description	BA	BH	BB	AL	Remarks
1	52AT0295	Door assembly RH	-	-	1	-	AT241004
2	52AT0296	Door assembly LH	-	-	1	-	AT241003
3	AT182402	Trim door LH	-	-	1	-	
4	AT182403	Trim door RH	-	-	1	-	
5	AH185007	Clip	-	-	10	-	
6	AZ241401	Assembly hinge side door LH	-	-	2	-	
7	AZ241402	Assembly hinge side door RH	-	-	2	-	
8	KBUC0614	Screw truss	-	-	40	-	
9	AL241662	Strip door limiting	-	-	2	-	
10	AZ241032	Damper side door lwr	-	-	2	-	
11	KBBA0616	Screw pan cross	-	-	6	-	
12	AZ241029	Damper body side upr	-	-	2	-	
13	AT241021	Damper	-	-	2	-	
14	AT242000	Latch door LH	-	-	1	-	
15	AT242001	Latch door RH	-	-	1	-	
16	AZ241039	Guide knob mtg side door	-	-	2	-	
17	AL241395	Knob door lock	-	-	2	-	
18	AZ242004	Plate striker	-	-	2	-	
19	KBUC0620	Screw truss	-	-	4	-	

BA - RE  
 BH - MAXIMA Z  
 BB - MAXIMA XWIDE  
 AL - CARGO



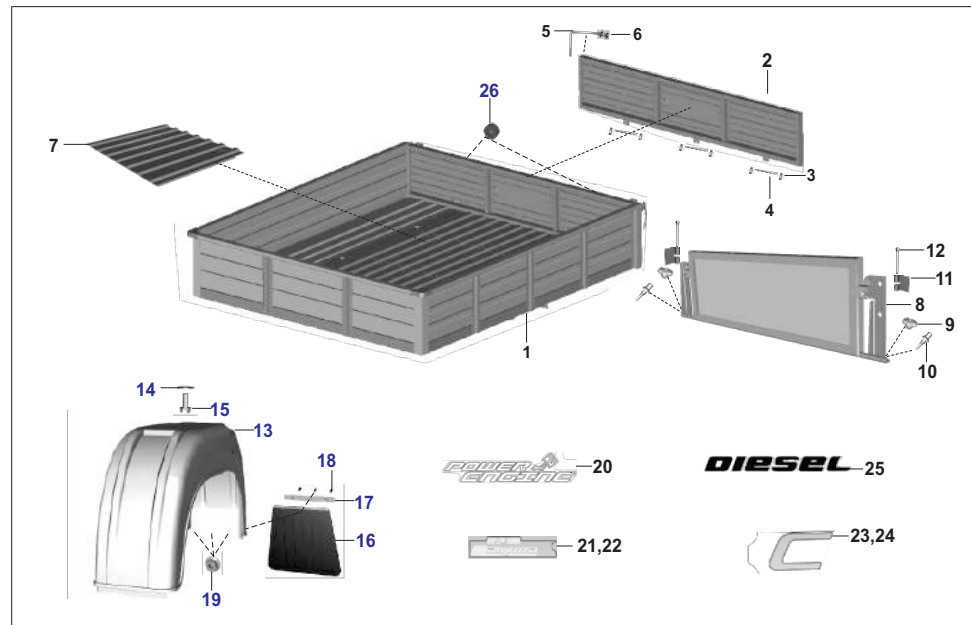
No.	Part No.	Description	BA	BH	BB	AL	Remarks

BA - RE  
 BH - MAXIMA Z  
 BB - MAXIMA XWIDE  
 AL - CARGO



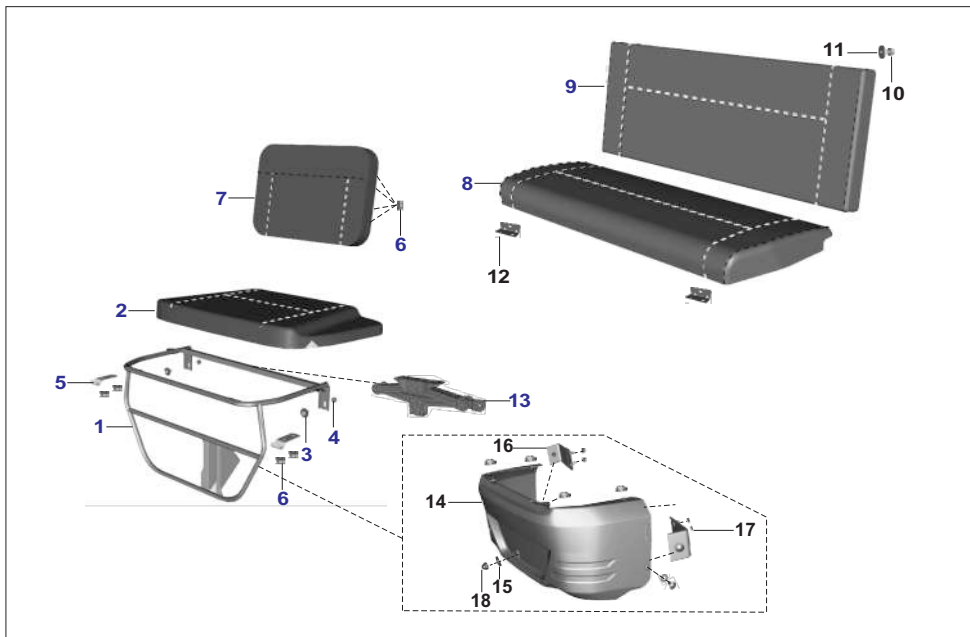
No.	Part No.	Description	BA	BH	BB	AL	Remarks
1	52AL0390	Assly tray load body complete	-	-	-	1	
2	52AL0396	Assly panel rear door	-	-	-	1	
3	39272711	Washer-plain	-	-	-	6	
4	AL241405	Hinge pin	-	-	-	3	
5	AL241277	Handle assembly LH	-	-	-	2	
6	39029615	Hexagon nut	-	-	-	4	
7	52AL0391	Assly engine access cover	-	-	-	1	
8	BB161171	Assembly guard rear	-	-	-	1	
9	24231245	Knob rear door lower	-	-	-	2	
10	24230198	Pad rubber	-	-	-	2	
11	BB161204	Bracket tie rod	-	-	-	2	
12	KHAA3228	Pin cotter	-	-	-	2	
13	AL161377	Rear mudguard	-	-	-	2	
14	LDB00014	Washer plain	-	-	-	8	
15	KADF0622	Bolt flanged	-	-	-	8	
16	AL161226	Mud flap For rear mudguard	-	-	-	2	
17	AL161229	Strip for mud flap	-	-	-	2	
18	KAAA0514	Bolt	-	-	-	6	
19	KCGA0505	Nut	-	-	-	6	
20	AL221038	Label power engine	-	-	-	1	

BA - RE  
BH - MAXIMA Z  
BB - MAXIMA XWIDE  
AL - CARGO



No.	Part No.	Description	BA	BH	BB	AL	Remarks
21	BB231659	Label bajaj maxima hd white	-	-	-	1	
22	BB231658	Label bajaj maxima hd black	-	-	-	1	
23	AL230011	Label c-maxima c white	-	-	-	1	
24	AL230010	Label c-maxima c black	-	-	-	1	
25	BA220003	Emblem diesel	-	-	-	1	
26	AL241767	Rubber stopper tray rear door	-	-	-	2	

BA - RE  
BH - MAXIMA Z  
BB - MAXIMA XWIDE  
AL - CARGO

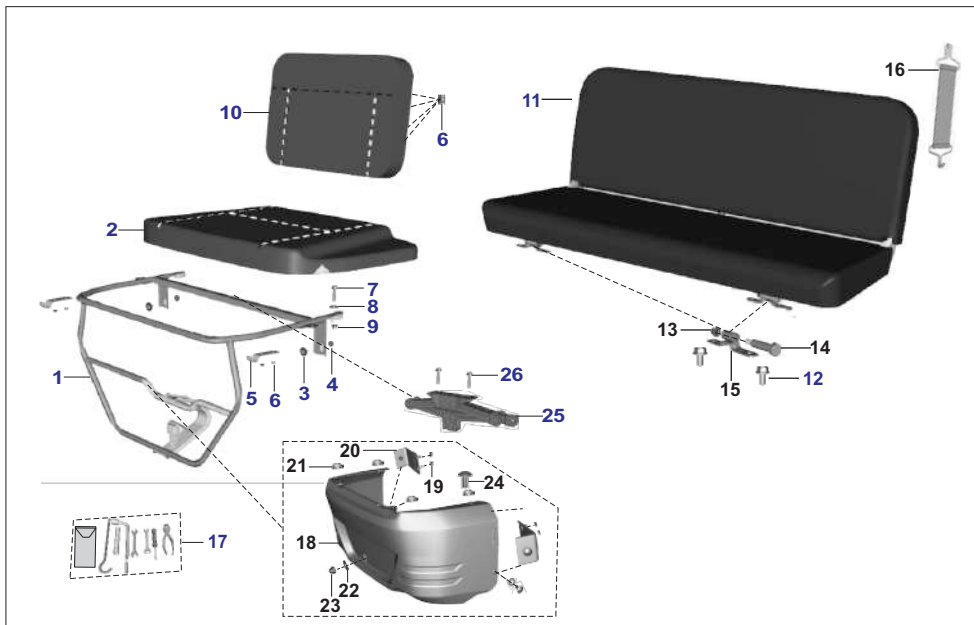


No.	Part No.	Description	BA	BH	BB	AL	Remarks
1	24211028	Frame assembly seat driver	1	-	-	-	
2	AZ191022	Seat assembly driver	1	-	-	-	
3	24211026	Bolt combination	2	-	-	-	
4	KCGA0808	Nut	2	-	-	-	
5	BH191032	Bracket seat base mtg	2	-	-	-	
6	KCGA0505	Nut hex flanged	8	-	-	-	
7	AZ191024	Backrest assembly driver	1	-	-	-	
8	AA231279	Seat assembly passenger	1	-	-	-	
9	BA231230	Backrest assembly passenger	1	-	-	-	
10	KCGA0606	Nut hex flanged	5	-	-	-	
11	24161485	Washer plain	3	-	-	-	
12	24231705	Bracket seat mounting passenger	2	-	-	-	
13	24221047	Jack assembly complete	1	-	-	-	
14	24211037	Enclosure - driver seat	1	-	-	-	
15	KDBB0818	Washer plain	1	-	-	-	
16	24231806	Bracket enclosure side mtg	2	-	-	-	
17	KCGC0606	Nut hex flanged	4	-	-	-	
18	KCEA0605	Nut dome cap single	1	-	-	-	

BA - RE  
 BH - MAXIMA Z  
 BB - MAXIMA XWIDE  
 AL - CARGO

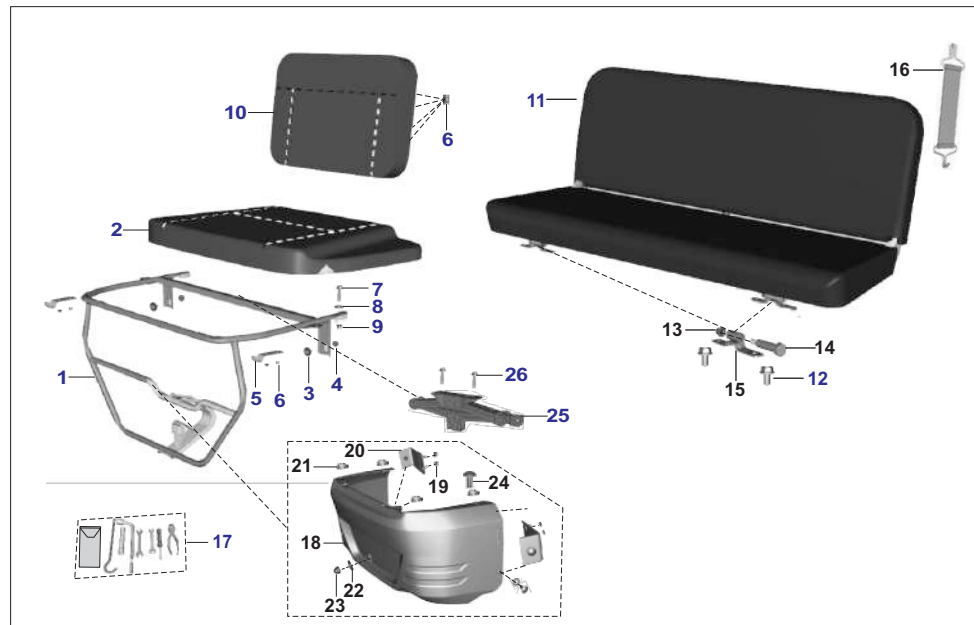
No.	Part No.	Description	BA	BH	BB	AL	Remarks

BA - RE  
 BH - MAXIMA Z  
 BB - MAXIMA XWIDE  
 AL - CARGO



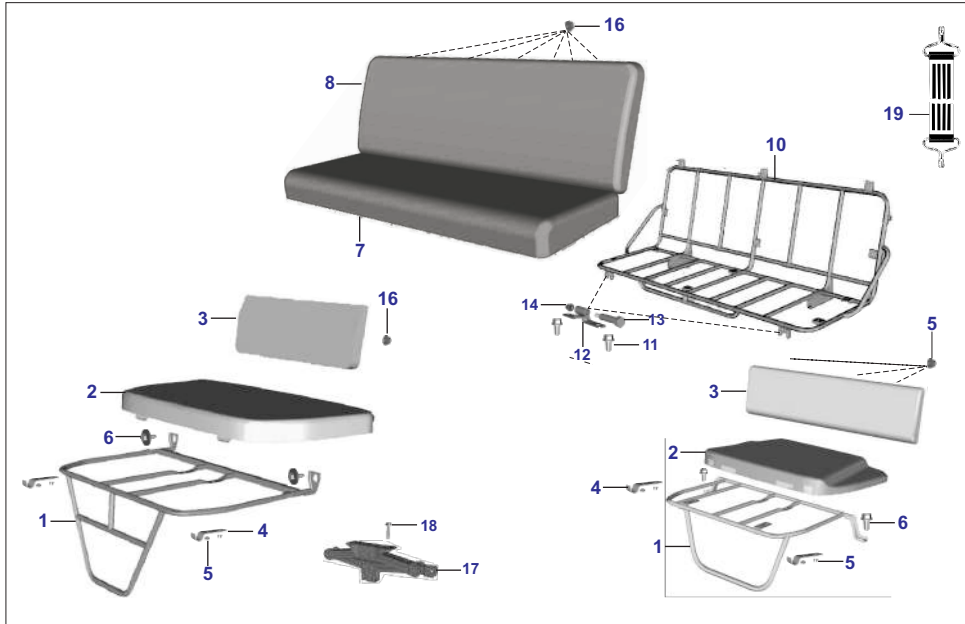
No.	Part No.	Description	BA	BH	BB	AL	Remarks
1	BH191075	Assembly frame driver seat	-	1	-	-	
2	AZ191022	Seat assembly driver	-	1	-	-	
3	24211026	Bolt combination	-	2	-	-	
4	KCGA0808	Nut alt	-	2	-	-	
5	BH191032	Bracket seat base mtg	-	2	-	-	
6	KCGA0505	Nut hex flanged	-	8	-	-	
7	KADA0630	Bolt flanged	-	2	-	-	
8	LDB00015	Washer plain	-	2	-	-	
9	KCGA0606	Nut hex flanged	-	2	-	-	
10	AZ191024	Backrest assembly driver	-	1	-	-	
11	BH191061	Assembly passenger seat	-	1	-	-	
12	KADA0816	Bolt flanged	-	4	-	-	
13	KCKC0811	Nut nyloc flange	-	2	-	-	
14	LAA00033	Bolt -M8	-	2	-	-	
15	BH191077	Bracket assembly hinge mounting	-	2	-	-	
16	BB231269	Strap assy passenger seat clamp	-	2	-	-	
17	AZ231005	Toolkit	-	1	-	-	
18	24211037	Enclosure - driver seat	-	1	-	-	
19	KCGC0606	Nut hex flanged	-	4	-	-	
20	24231806	Bracket enclosure side mtg	-	2	-	-	
21	5161256	Clip nut-M6	-	4	-	-	
22	KDBB0818	Washer plain	-	3	-	-	

BA - RE  
 BH - MAXIMA Z  
 BB - MAXIMA XWIDE  
 AL - CARGO



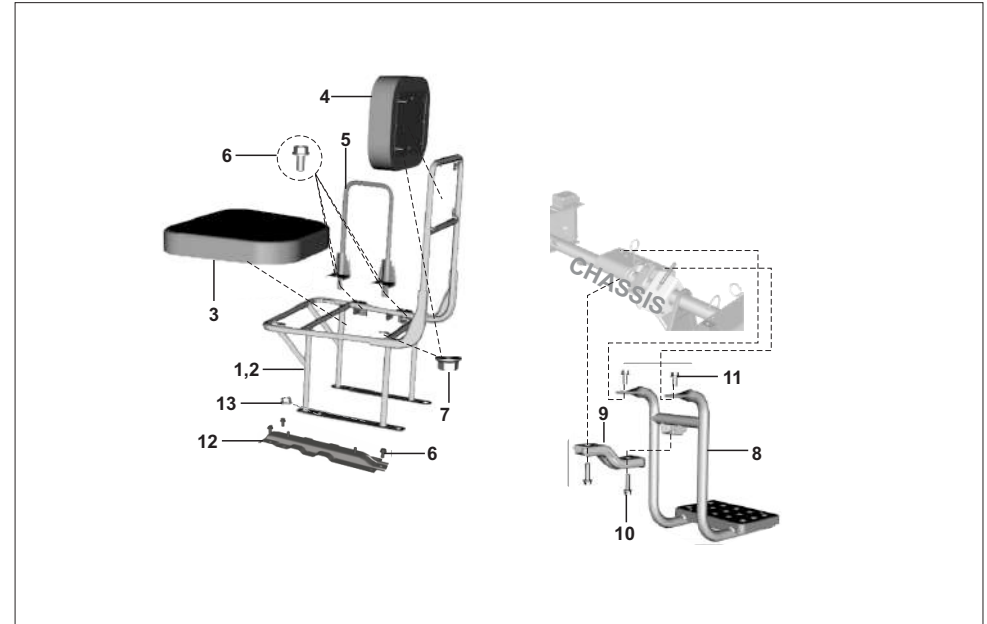
No.	Part No.	Description	BA	BH	BB	AL	Remarks
23	KCEA0605	Nut dome cap single piece-m6 x 1	-	1	-	-	
24	KBUC0614	Screw truss	-	6	-	-	
25	BB221004	Jack assy.	-	1	-	-	
26	KADD0630	Bolt jack	-	2	-	-	

BA - RE  
 BH - MAXIMA Z  
 BB - MAXIMA XWIDE  
 AL - CARGO



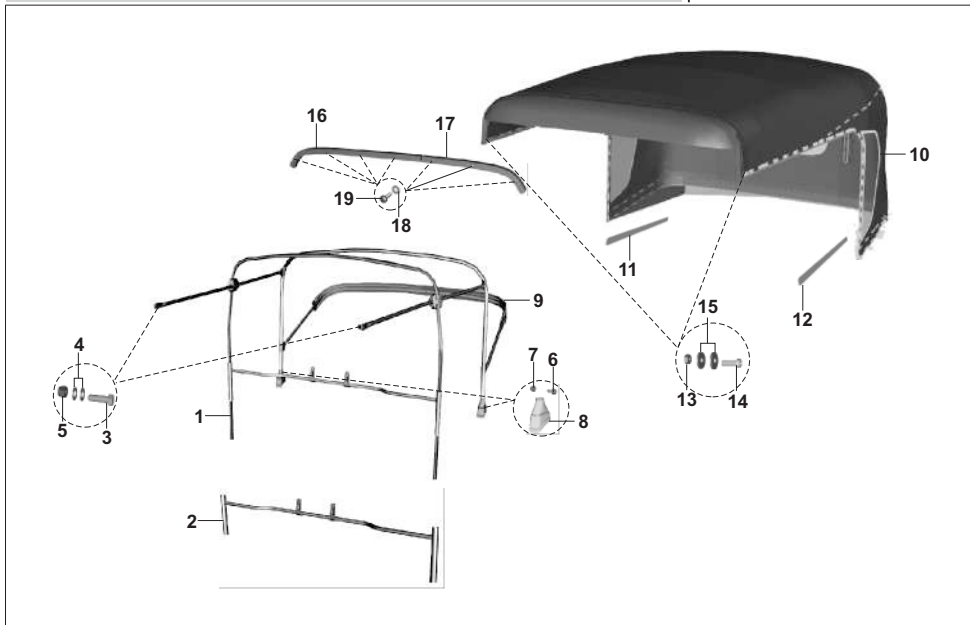
No.	Part No.	Description	BA	BH	BB	AL	Remarks
1	AT191009	Frame driver seat	-	-	1	-	
1	AL230018	Frame seat driver	-	-	-	1	
2	AT191052	Seat assmby driver	-	-	1	1	
3	AT191053	Backrest assembly driver	-	-	1	-	
3	AL230020	Backrest driver	-	-	-	1	
4	BH191032	Bracket seat base mtg	-	-	2	2	
5	KCGA0505	Nut hex flanged	-	-	8	8	
6	24211026	Bolt combination	-	-	2	-	
6	KAAA0830	Bolt	-	-	-	2	
7	AT191016	Seat assembly passenger	-	-	1	-	
7	AT191024	Seat assembly passenger	-	-	1	-	
8	AT191012	Backrest assembly-passenger	-	-	1	-	
9	KCGF0606	Nut hex flanged	-	-	12	-	
10	AT191020	Frame passenger seat tubular	-	-	1	-	
11	KADF0816	Bolt flanged	-	-	4	-	
12	AT191022	Bracket assembly-hinge	-	-	2	-	
13	LAA00033	Bolt -M8	-	-	2	-	
14	KCKC0811	Nut nyloc flange	-	-	2	-	
15	BB231268	Damper	-	-	2	-	
16	KCFA0504	Nut domed cap two piece-M5X0.8	-	-	4	-	
17	BB221004	Jack assembly complete	-	-	1	1	
18	KADD0612	Bolt flanged	-	-	2	2	
19	BB231269	Strap assy passenger seat clamp	-	-	2	-	

BA - RE  
 BH - MAXIMA Z  
 BB - MAXIMA XWIDE  
 AL - CARGO



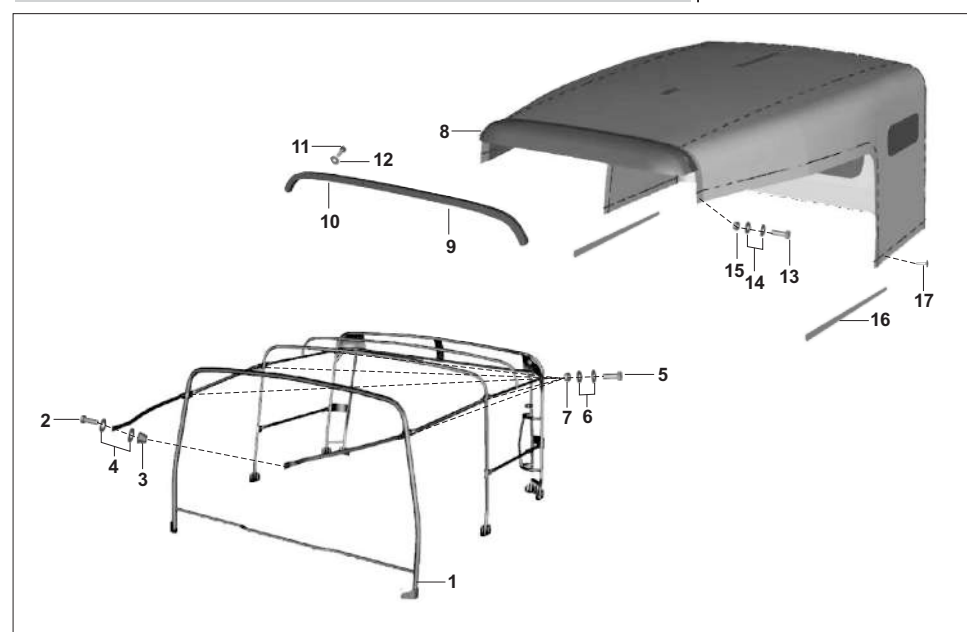
No.	Part No.	Description	BA	BH	BB	AL	Remarks
1	AT191048	Frame assly seat passenger RH II	-	-	1	-	D+5
2	AT191042	Frame assly seat passenger LH II	-	-	1	-	D+5
3	AT191040	Seat assembly passenger II	-	-	2	-	D+5
4	AT191041	Backrest assembly passenger II	-	-	2	-	D+5
5	AT191049	Support frame seat passenger II	-	-	2	-	D+5
6	KADA0816	Bolt flanged	-	-	8	-	D+5
7	KCGC0505	Nut hex flanged	-	-	16	-	D+5
8	BB161372	Step assembly rear	-	-	1	-	D+5
9	BB161381	Bracket assembly	-	-	1	-	D+5
10	KADD1035	Bolt flanged	-	-	2	-	D+5
11	KADD1020	Bolt flanged	-	-	2	-	D+5
12	AT211012	Member seat	-	-	4	-	D+5
13	KCGA0808	Nut hex flanged	-	-	8	-	D+5

BA - RE  
 BH - MAXIMA Z  
 BB - MAXIMA XWIDE  
 AL - CARGO



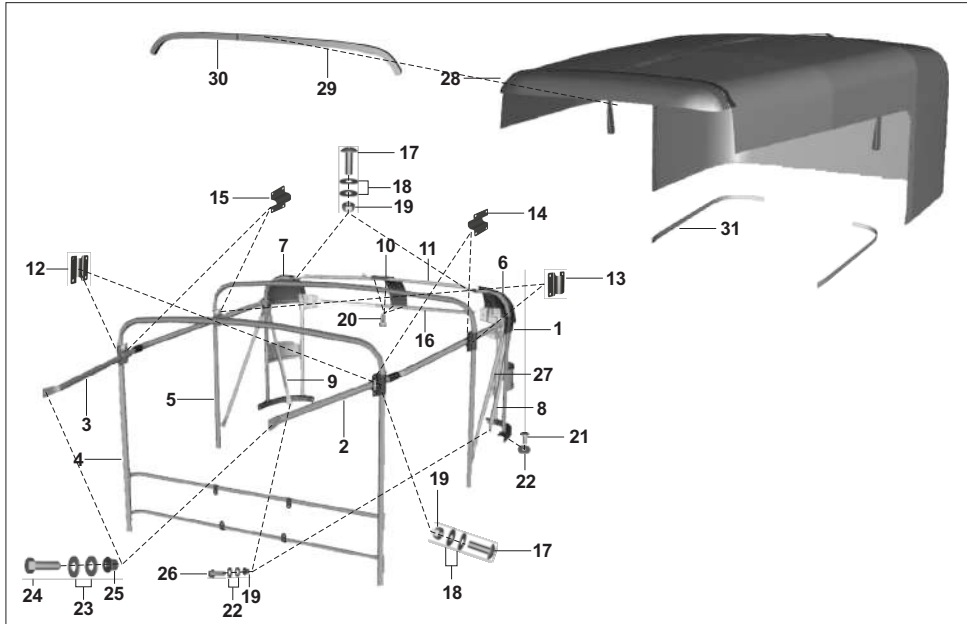
No.	Part No.	Description	BA	BH	BB	AL	Remarks
1	AF231657	Frame assembly hood	1	-	-	-	
2	AF231720	Tube assembly support backrest	1	-	-	-	
3	KAAA0825	Bolt	2	-	-	-	
4	KDAA0816	Washer_plain_small	4	-	-	-	
5	KCHA0809	Nut nyloc	2	-	-	-	
6	KADD0818	Bolt flanged	2	-	-	-	
7	KCGD0808	Nut hex flanged	2	-	-	-	
8	AA231544	Boot	2	-	-	-	
9	24231750	Frame hood rear	1	-	-	-	
10	BA231239	Hood assembly black	1	-	-	-	
10	BA231238	Hood assembly mushroom	1	-	-	-	
10	BA231237	Hood assembly yellow	1	-	-	-	
10	BA231236	Hood assembly green	1	-	-	-	
11	24231867	Strip hood	1	-	-	-	
12	24231866	Strip hood	1	-	-	-	
13	KCAA0403	Nut hex thick	2	-	-	-	
14	KBBA0412	Screw pan cross	2	-	-	-	
15	39045411	Plain washer	4	-	-	-	
16	24231772	Assembly stick hood I	1	-	-	-	
17	24231775	Assembly stick hood II	1	-	-	-	
18	KDBF0512	Washer plain	7	-	-	-	
19	KBRA4819	Screw tapping pan cross	7	-	-	-	

BA - RE  
BH - MAXIMA Z  
BB - MAXIMA XWIDE  
AL - CARGO



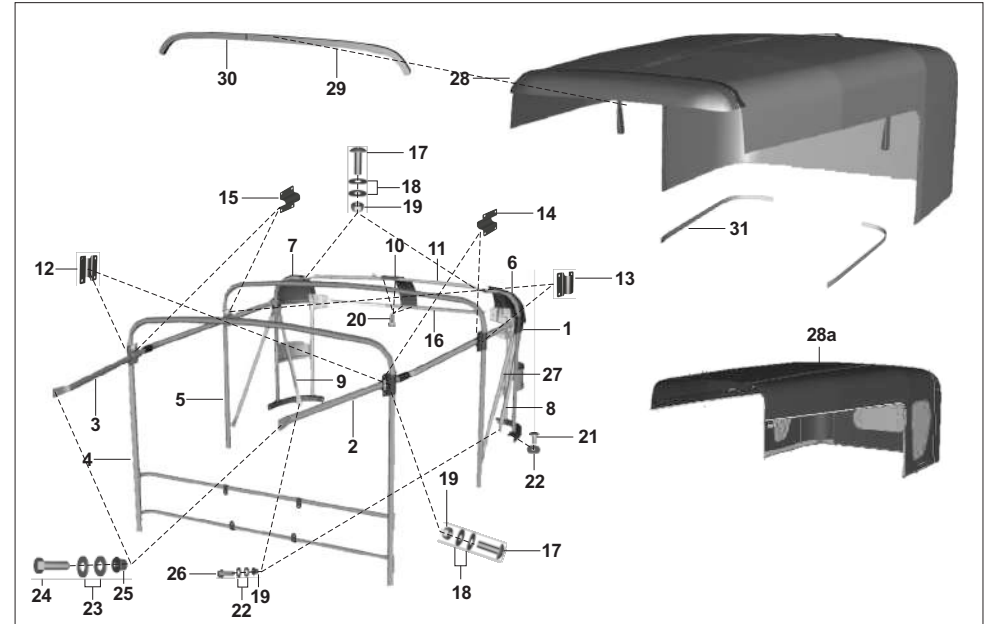
No.	Part No.	Description	BA	BH	BB	AL	Remarks
1	AT211371	Frame assembly hood	-	-	1	-	
2	KAAA0825	Bolt	-	-	2	-	
3	KCKA0811	Nut nyloc flanged	-	-	2	-	
4	KDBB1022	Washer_plain	-	-	4	-	
5	KAAD0618	Bolt	-	-	14	-	
6	LDB00023	PLain washer	-	-	28	-	
7	39135315	Nut nyloc M6X1	-	-	14	-	
8	AT186001	Assembly hood	-	-	1	-	
8	AT213062	Hood assembly white	-	-	1	-	
8	AT213060	Hood assembly yellow	-	-	1	-	
8	AT213061	Hood assembly green	-	-	1	-	
9	24231772	Assembly stick hood I FL	-	-	1	-	
10	24231775	Assembly stick hood II FL	-	-	1	-	
11	KBRA4819	Screw tapping pan cross	-	-	7	-	
12	KDBF0512	Washer plain	-	-	7	-	
13	KBBA0412	Screw pan cross	-	-	2	-	
14	39045411	Plain washer	-	-	4	-	
15	KCAA0403	Nut hex thick	-	-	2	-	
16	AT186003	Strip hood	-	-	2	-	
17	24231630	Screw self drill	-	-	14	-	

BA - RE  
BH - MAXIMA Z  
BB - MAXIMA XWIDE  
AL - CARGO



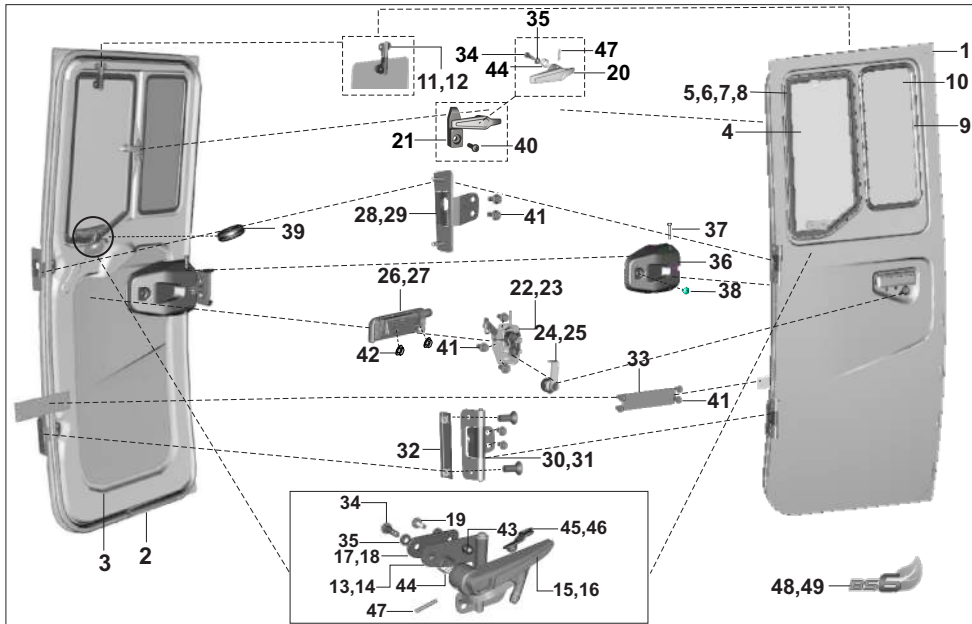
No.	Part No.	Description	BA	BH	BB	AL	Remarks
1	AZ211093	Assembly hood frame - Z	-	1	-	-	
2	AZ211094	Assembly hood pipe side LH	-	1	-	-	
3	AZ211098	Assembly hood pipe side RH	-	1	-	-	
4	AZ211359	Pillar assembly B	-	1	-	-	
5	AZ213122	Pillar assembly C	-	1	-	-	
6	AZ213050	Assembly d pillar LH	-	1	-	-	
7	AZ213051	Assembly d pillar RH	-	1	-	-	
8	AZ213025	Pipe support d pillar LH	-	1	-	-	
9	AZ213026	Pipe support d pillar RH	-	1	-	-	
10	AZ213027	Bracket d pillar mid supp	-	1	-	-	
11	AZ213031	Pipe middle d pillar	-	1	-	-	
12	AZ213047	Bracket b plr supp side outer	-	2	-	-	
13	AZ213028	Bracket c plr supp side outer	-	2	-	-	
14	AZ213045	Bracket hood con inner LH	-	2	-	-	
15	AZ213046	Bracket hood con inner RH	-	2	-	-	
16	AZ213054	Assembly pipe middle d pillar	-	1	-	-	
17	KBUA0620	Screw truss	-	10	-	-	
18	39023911	Plain washer	-	42	-	-	
19	39135315	Nut nyloc M6X1	-	26	-	-	
20	KBRA4819	Screw tapping pan cross	-	4	-	-	
21	KBUA0614	Screw truss	-	16	-	-	
22	39021111	Washer plain	-	12	-	-	

BA - RE  
BH - MAXIMA Z  
BB - MAXIMA XWIDE  
AL - CARGO



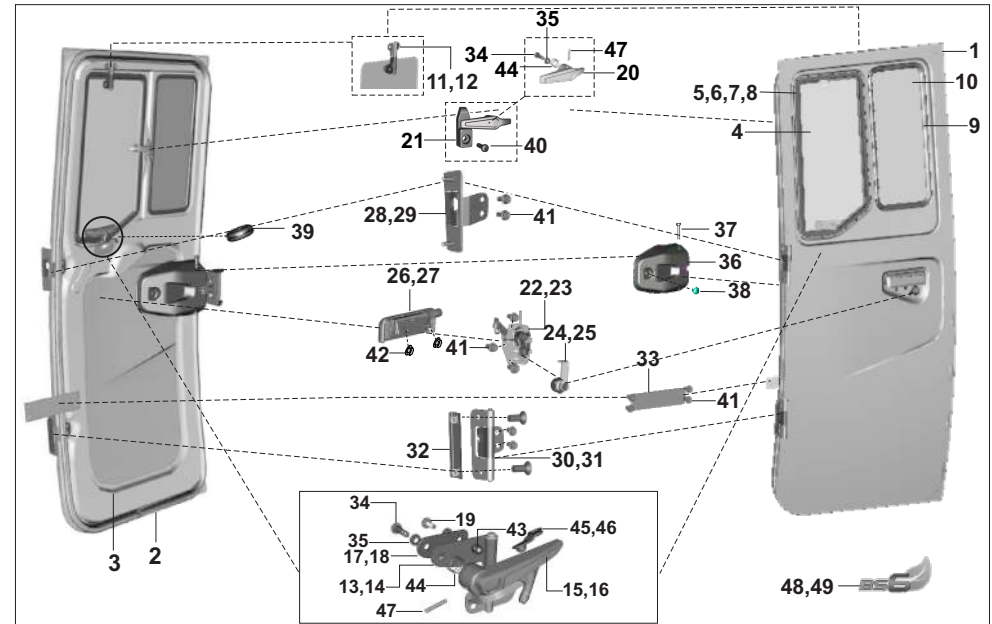
No.	Part No.	Description	BA	BH	BB	AL	Remarks
23	KDBB1022	Washer_plain	-	4	-	-	
24	KAAA0825	Bolt	-	2	-	-	
25	KCKA0811	Nut nyloc flanged	-	2	-	-	
26	39195804	Bolt flange M6X18	-	2	-	-	
27	AZ211188	Pipe cross c to d pillar	-	2	-	-	
28	AZ186001	Hood complete	-	1	-	-	
28	AY213003	Hood complete	-	1	-	-	with transparent side window
28	52BH0443	Hood complete	-	1	-	-	with transparent side window
28	AY186000	Hood assembly mushroom Z	-	1	-	-	
28	52BH0446	Hood assembly mushroom Z	-	1	-	-	with transparent side window
28	AZ213126	Hood assembly yellow Z	-	1	-	-	
28	52BH0445	Hood assembly yellow Z	-	1	-	-	with transparent side window
29	24231772	Stick assembly - hood	-	1	-	-	
30	24231775	Stick assembly - hood	-	1	-	-	
31	24231871	Strip hood fixing	-	2	-	-	

BA - RE  
BH - MAXIMA Z  
BB - MAXIMA XWIDE  
AL - CARGO



No.	Part No.	Description	BA	BH	BB	AL	Remarks
1	52AL0392	Assly door RH AI24159	-	-	-	1	
2	52AL0395	Assly door LH AI241597	-	-	-	1	
3	AL241442	Beading door	-	-	-	2	
4	AL241693	Glass swivel	-	-	-	2	
5	AL241690	Beading front RH sw glass	-	-	-	1	
6	AL241689	Beading front LH sw glass	-	-	-	1	
7	AL241692	Beading rear RH sw glass	-	-	-	1	
8	AL241691	Beading rear LH sw glass	-	-	-	1	
9	AL241696	Glass fixed cargo	-	-	-	2	
10	AL241695	Beading fixed glass	-	-	-	2	
11	AL241482	Assly hinge upperRH-glass sw	-	-	-	1	
12	AL241455	Assly hinge upper LH -glass sw	-	-	-	1	
13	AL241474	Hinge assy lower RH-glass sw	-	-	-	1	
14	AL241456	Assly hinge lower LH-glass sw	-	-	-	1	
15	AL241465	Handle RH-glass swivel	-	-	-	1	
16	AL241457	Handle LH for glass swivel	-	-	-	1	
17	AL241477	Spacer for hinge assly lower	-	-	-	2	
18	AL241478	Spacer for hinge assly upper	-	-	-	2	
19	39190701	Mushroom head screw	-	-	-	4	
20	AL241774	Lever glass lock	-	-	-	1	
21	AL241775	Lock glass	-	-	-	2	
22	AL241701	Latch mechanism RH	-	-	-	1	
23	AL241700	Latch mechanism LH	-	-	-	1	
24	36AL0055	Lock RH for door with key	-	-	-	1	AL181043 Kit-27
25	36AL0054	Lock LH for door with key	-	-	-	1	AL181042 Kit-26

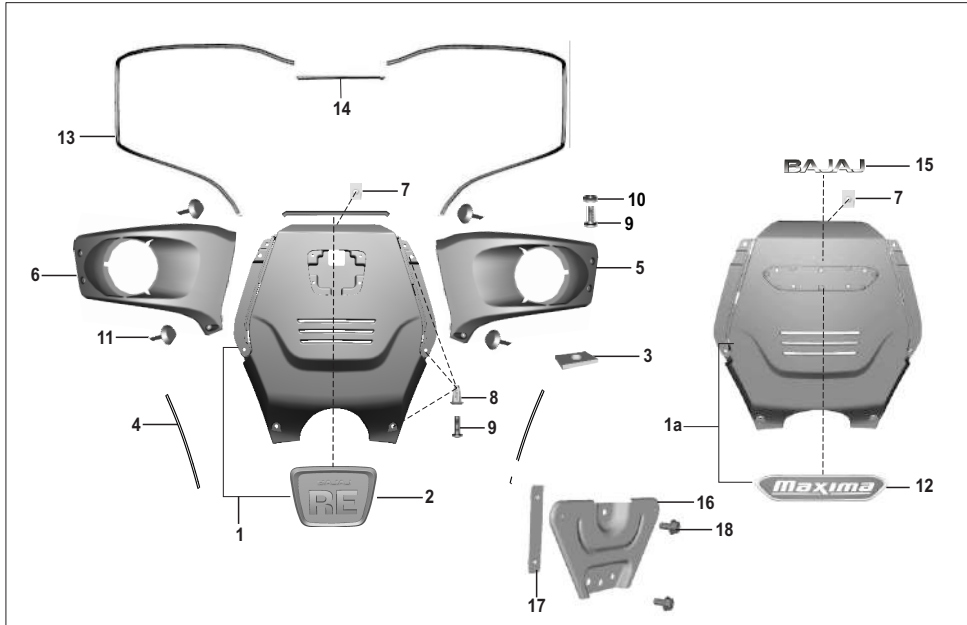
BA - RE  
BH - MAXIMA Z  
BB - MAXIMA XWIDE  
AL - CARGO



No.	Part No.	Description	BA	BH	BB	AL	Remarks
26	AL241221	Handle assly RH-door lock	-	-	-	1	
27	AL241220	Handle assly LH-door lock	-	-	-	1	
28	AL241609	Assly hinge upper RH	-	-	-	1	
29	AL241603	Assly hinge upper LH	-	-	-	1	
30	AL241614	Assly hinge lower RH	-	-	-	1	
31	AL241606	Assly hinge lower LH	-	-	-	1	
32	AL161662	Plate for hinge re 3wh cargo	-	-	-	2	
33	AL241662	Strip door limiting cargo	-	-	-	2	
34	AL241479	Pin step for handle	-	-	-	2	
35	AL241480	Spacer with collar glass mtg	-	-	-	4	
36	AL241475	Cover door latch for re 900	-	-	-	2	
37	AL241395	Knob door lock	-	-	-	2	
38	AL241481	Screw stepped M6X1X11	-	-	-	6	
39	LLA00002	Grommet -id 6	-	-	-	2	
40	KBBC0516	Screw pan cross	-	-	-	2	
41	KADA0612	Bolt flanged	-	-	-	22	
42	KCGF0606	Nut - hexagon with flange m6	-	-	-	4	39158115
43	KCEC0504	Nut domed cap single piece	-	-	-	2	
44	AL241189	Spring glass lock	-	-	-	2	
45	AL241804	Grmt sw gl locking handle RH	-	-	-	1	
46	AL241803	Grmt sw gl locking handle LH	-	-	-	1	
47	39157006	Sleeve - spring dowel	-	-	-	2	
48	AL230022	Decal BS6 LH	-	-	-	1	
49	AL230021	Decal BS6 RH	-	-	-	1	

BA - RE  
BH - MAXIMA Z  
BB - MAXIMA XWIDE  
AL - CARGO

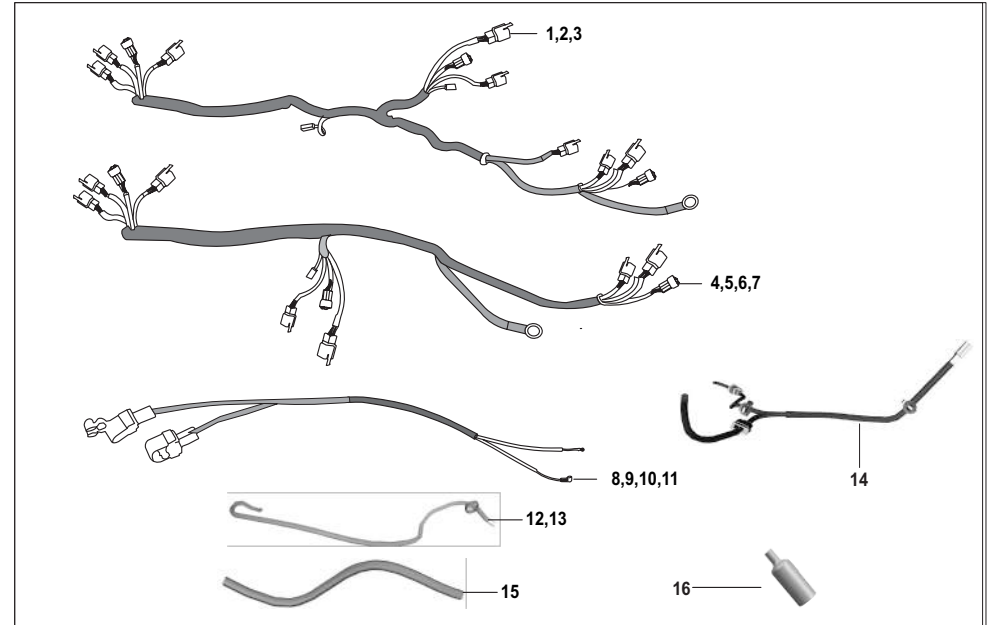
PLATE NO. 82 : STEERING & HEAD LAMP COVER



No.	Part No.	Description	BA	BH	BB	AL	Remarks
1	24165116	Assembly steering cover	1	-	-	-	
1	AZ185010	Assembly cover steering	-	1	1	1	
2	BG233002	Emblem bajaj re for scudo	1	-	-	-	
3	24165214	Grommet Steering Cover	1	1	1	1	
4	AA161270	Beading st. Cover lower	2	2	2	2	
5	AA161190	Housing headlamp LH	1	1	-	-	
5	BB161096	Housing headlamp LH	-	-	1	1	
6	AA161191	Housing headlamp RH	1	1	-	-	
6	BB161097	Housing headlamp RH	-	-	1	1	
7	24165214	Grommet steering cover refl	1	1	1	1	
8	AL161236	Plug For blinker housing	10	10	10	10	
9	39177102	Screw-tapping 5 X 16	10	10	10	10	
10	39045411	Washer - plain	1	1	1	1	
12	AZ233009	Emblem maxima	-	1	1	1	
11	BH111088	Grommet shield headlamp bkt	-	-	-	4	
13	AA161268	Beading housing h.l.	2	2	2	2	
14	AA161269	Beading st.cover upper	1	1	1	1	
15	AZ233008	Emblem bajaj	-	1	1	1	
16	AA231456	Bracket plate number1	1	1	1	1	
17	AA991022	Plate assembly	1	1	1	1	
18	KADD0612	Bolt flanged	2	2	2	2	

BA - RE  
BH - MAXIMA Z  
BB - MAXIMA XWIDE  
AL - CARGO

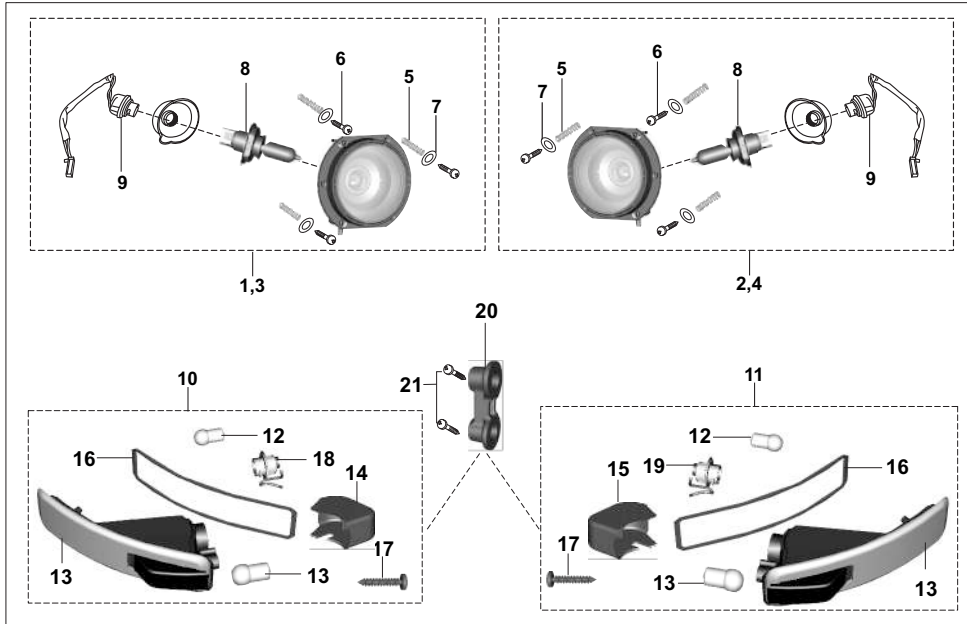
PLATE NO. 83 : WIRING HARNESS



No.	Part No.	Description	BA	BH	BB	AL	Remarks
1	BA201232	Harness wiring front	1	-	-	-	
2	BH402246	Harness wiring front	-	1	-	-	
3	BH402255	Harness wiring front	-	1	-	-	
2	BB201148	Harness wiring front	-	-	1	1	Fr. 15.06.22 up to 25.09.20
3	BB201172	Harness wiring front	-	-	1	1	fr 17.09.20
3	BB201184	Harness wiring front	-	-	1	1	fr 22.02.22
4	BA201233	Harness wiring rear	1	-	-	-	fr. 18.06.19
5	BH402247	Harness wiring rear	-	1	-	-	fr. 17.06.19
5	BH402260	Harness wiring rear	-	1	-	-	fr. 03.03.22
6	BB201149	Harness wiring rear	-	-	1	1	fr. 14.06.19
6	BB201173	Harness wiring rear	-	-	1	1	fr. 17.09.20
6	BB201169	Harness wiring rear	-	-	1	-	fr. 30.05.22
7	AL201153	Harness wiring rear	-	-	-	1	fr. 14.06.19
7	AL201162	Harness wiring rear	-	-	-	1	fr 21.09.20
7	AL201161	Harness wiring rear	-	-	-	1	fr 30.05.22
8	BA201234	Cable battery	1	-	-	-	
9	BH402248	Cable battery	-	1	-	-	
9	BH402241	Cable battery	-	1	-	-	Fr.03.03.22
10	Bb201165	Cable battery	-	-	1	-	
11	AI201156	Cable battery	-	-	-	1	
12	BH402253	Cable earth	-	1	-	-	
13	BB201167	Cable earth	-	-	1	1	
14	BA201235	Harness wiring body	1	-	-	-	
15	BH403600	Cable sensor temperature	1	1	1	1	
16	JN402207	Harness Rubber Boot	1	1	1	-	

BA - RE  
BH - MAXIMA Z  
BB - MAXIMA XWIDE  
AL - CARGO

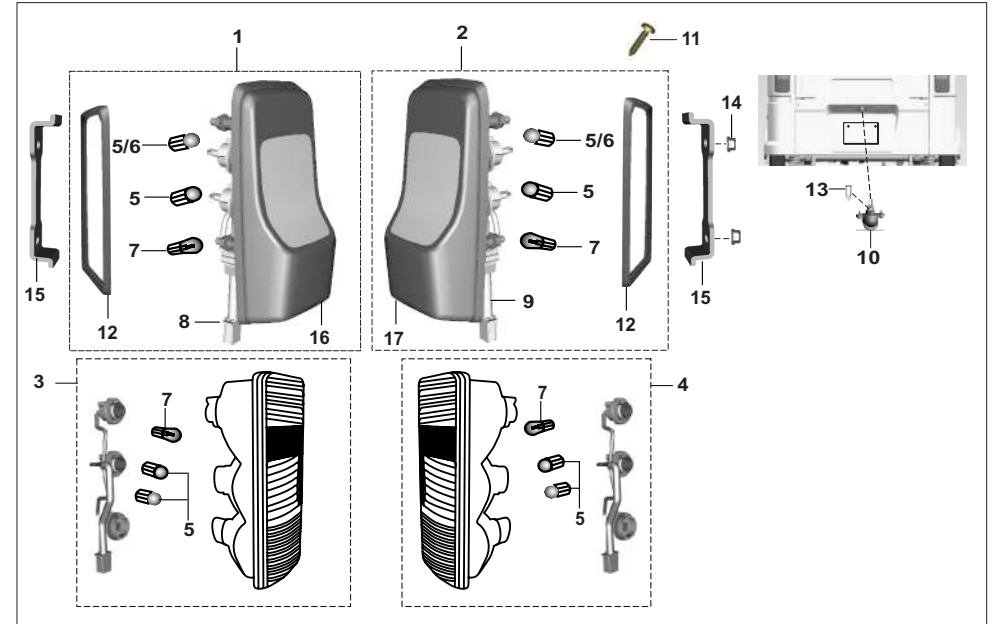
PLATE NO. 84 : HEAD LIGHT & INDICATOR



No.	Part No.	Description	BA	BH	BB	AL	Remarks
1	AL201119	H/I assly LH	1	1	-	-	
2	AL201120	H/I assly RH	1	1	-	-	
3	BB201078	Light assly head LH with lamp	-	-	1	1	
4	BB201079	Light assly head RH with lamp	-	-	1	1	
5	BB201070	Spring head lamp mounting	6	6	6	6	
6	AA201264	Screw pan cross M5x40	6	6	6	6	
7	39025811	Plain washer	6	6	6	6	
8	CL201023	Lamp 12v-35/35w-hs1	2	2	2	2	
9	AA201262	Rubber cap headlamp	2	2	2	2	
10	24201487	Ind assly. Front LH/ lamp	1	1	1	1	
11	24201488	Ind assly. Front RH/ lamp	1	1	1	1	
12	JD401032	Bulb 12v 5w e-marked	2	2	2	2	
13	18201044	Lamp :- 12V - 10W - R 10W	2	2	2	2	
14	24201485	Cover side indicator FR LH	1	1	1	1	
15	24201486	Cover side indicator FR RH	1	1	1	1	
16	24201484	Gasket front side indicator refl	1	1	1	1	
17	KBRC3519	Screw tapping pan cro- WB	2	2	2	2	
18	24201502	Cable fr indi with holder LH	1	1	1	1	
19	24201503	Cable fr indi with holder RH	1	1	1	1	
20	24201523	Holder front indicator assly	2	2	2	2	
21	KBRC3516	Screw tapping pan cross	4	4	4	4	
22	24201504	Assembly lens & reflector fr ind	2	2	2	2	

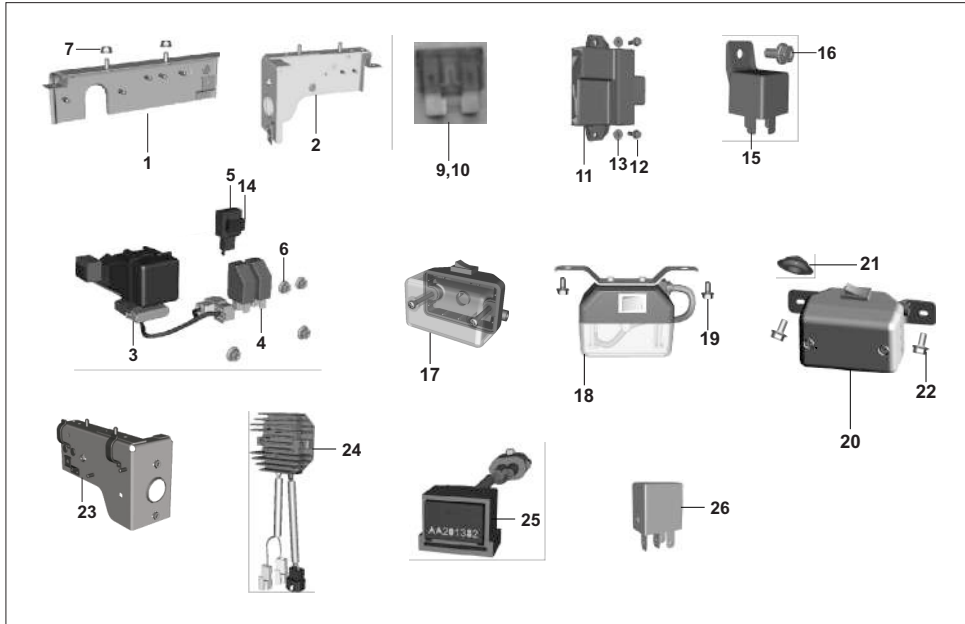
BA - RE  
BH - MAXIMA Z  
BB - MAXIMA XWIDE  
AL - CARGO

PLATE NO. 85 : TAIL LIGHT



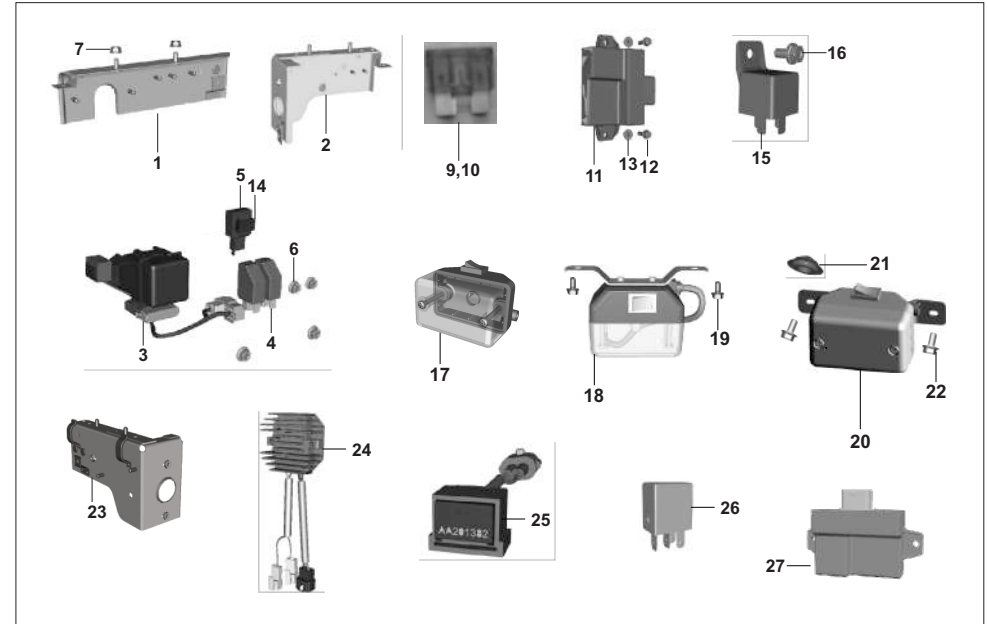
No.	Part No.	Description	BA	BH	BB	AL	Remarks
1	BB201104	Lamp assly tail-LH fr.03.11.16	1	-	1	1	
2	BB201105	Lamp assly tail-RH fr.03.11.16	1	-	1	1	
3	AZ401001	Assembly taillamp lh UG	-	1	-	-	
4	AZ401002	Assembly taillamp RH UG	-	1	-	-	
5	18201044	Lamp :- 12V - 10W	4	4	4	4	
6	GH201012	Llamp:-12v-10w (colour:-amber)	2	2	2	2	
7	20201029	Lamp 12V 21/5W	2	2	2	2	
8	BB201109	Cable taillamp with holder LH	1	-	1	1	
9	BB201110	Cable taillamp with holder RH	1	-	1	1	
10	BH401016	Lamp plate number	-	1	-	-	
11	KBRA4219	Screw tapping pan cross (glass)	4	-	4	4	
12	24201476	Gasket tail light assembly refl	2	-	1	1	
14	KCGD0606	Nut hex flanged	4	4	4	4	
15	AA201090	Bracket mounting tail light	2	-	2	2	
16	24201477	Lens tail light LH refl	1	-	1	1	
17	24201499	Lens tail light RH refl	1	-	1	1	

BA - RE  
BH - MAXIMA Z  
BB - MAXIMA XWIDE  
AL - CARGO



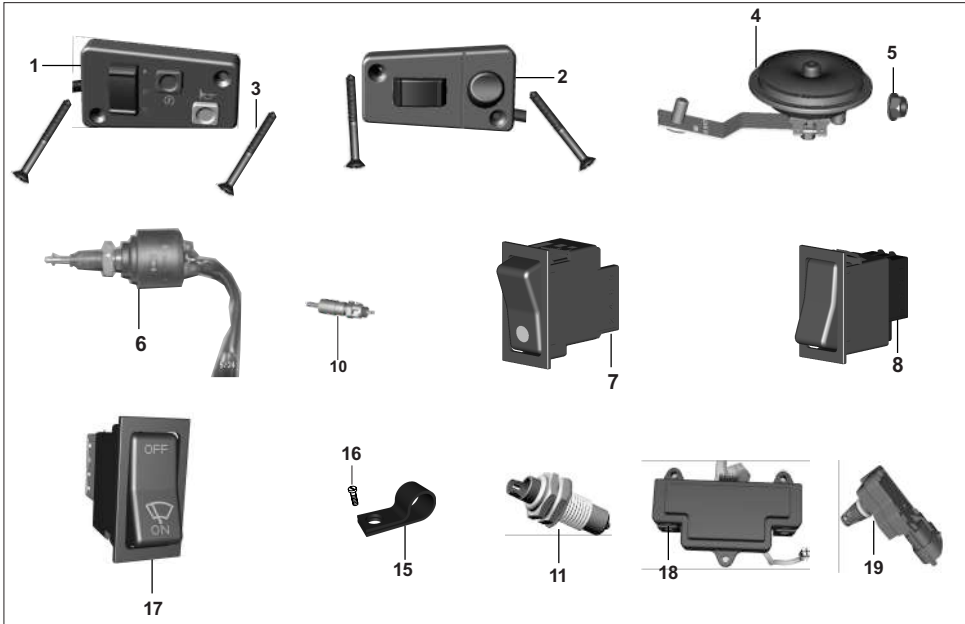
No.	Part No.	Description	BA	BH	BB	AL	Remarks	
1	BH111217	Plate assembly electrical front	1	1	-	-	NS	
2	BB161368	Plate assembly electrical front	-	-	1	1		
3	BB201161	Box assembly fuse	1	1	1	1		
4	AL201012	Relay head light	2	2	2	2		
6	AB201076	Relay flasher (hazard)	1	1	1	1		
7	KCGA0505	Nut hex flanged	4	4	4	4		
8	KCGD0606	Nut hex flanged	2	2	2	2		
9	AK201012	Fuse blade type 10 amp	6	6	6	6		
10	DG201084	Fuse :- 30 amps (blade type)	1	1	1	1		
11	BA111077	ECU EMS assembly	1	-	-	-		
11	BH351400	ECU EMS assembly	-	1	-	-		
11	BH351404	ECU EMS assembly	-	1	-	-		Fr. 02.11.21
11	BB112010	ECU EMS assembly	-	-	1	-		Fr. 03.10.21
11	BB112015	ECU EMS assembly	-	-	1	-		Fr. 03.11.21
11	AL111009	ECU EMS assembly	-	-	-	1		
11	AL111015	ECU EMS assembly	-	-	-	1		
12	KADA0616	Bolt flanged	2	2	-	-		
13	JW171015	Collar	2	2	2	2		
14	31201029	Holder for relay	1	1	1	1		
15	BA201017	Starter relay	1	1	1	1		
16	KADA0612	Bolt flanged	2	2	2	2		
17	AA201305	Lamp engine cabin- Refresh	1	-	-	-		
18	AL201039	Lamp (light) assembly - cabin	-	1	1	1		
19	KADA0510	Bolt flanged	2	2	2	2		

BA - RE  
BH - MAXIMA Z  
BB - MAXIMA XWIDE  
AL - CARGO



No.	Part No.	Description	BA	BH	BB	AL	Remarks
20	AP201058	Cabin light assembly	1	1	1	1	NS
21	BH111092	Grommet wiring harness fl	1	1	1	1	
22	24201515	Bulb 12v,10w,capless-cab	1	1	1	1	
23	BB161252	Assembly Plate Electrical Rear	-	-	1	1	
24	BB201156	Regulator	1	1	1	1	
25	AA201382	Unit transil	1	1	1	1	
26	JL403001	Relay	2	2	2	2	
27	BH201150	Unit Control	1	1	1	1	

BA - RE  
BH - MAXIMA Z  
BB - MAXIMA XWIDE  
AL - CARGO



No.	Part No.	Description	BA	BH	BB	AL	Remarks
1	BH401401	Switch control RH HC	1	1	1	1	
2	AL201060	Switch control LH HC	1	1	1	1	
3	AL201062	Slotted ch. Hd. Screw	4	4	4	4	
4	AA201239	Horn dc 12v with transil diode	1	1	1	1	
5	39229515	Nut - flange :- M8	1	1	1	1	
6	AF201094	Brake switch	1	1	1	1	
7	AL201031	Switch for stereo connection	1	1	1	1	
8	AB201077	Switch hazard warning	1	1	1	1	
9	BA201082	Oil pressure switch	1	1	1	1	
10	BH401400	Reverse switch	1	1	1	1	
11	AP111023	Neutral switch	1	1	1	1	
12	CM201054	Lamp 12v 2w	4	4	-	-	
15	AL201070	Clip p for new control switch	2	2	2	2	
16	39263101	Screw pan head M5	2	2	2	2	
17	AA201088	Wiper switch	1	1	1	1	
18	BH402608	Indicator tell-tale	1	1	1	1	
19	JP351801	Sensor pressure	1	1	1	1	

BA - RE  
 BH - MAXIMA Z  
 BB - MAXIMA XWIDE  
 AL - CARGO

No.	Part No.	Description	BA	BH	BB	AL	Remarks

BA - RE  
 BH - MAXIMA Z  
 BB - MAXIMA XWIDE  
 AL - CARGO

**KIT LIST**



Sr. No.	Kit Part No.	Kit Description	Consisting of Following Parts		
			Part No.	Description	Qty./Kit
1	36BB0067	Kit c'case piston assly	BB103322	Piston assembly	1
			BB103433	Assembly crankcase	1
2	36BB0068	Kit c'case piston assly	BB103322	Piston assembly	1
			BH541001	Assembly crankcase	1
3	36BB0012	Piston ring set std	BB101096	Ring -piston 1	1
			BB101097	Ring -piston 2	1
			BB101098	Ring assy oil	1
			BB101099	Ring oil	1
			BB101100	Expander oil ring	1
4	36BA4027	Kit Piston Pin BA102061	BA102061	Pin - piston	1
			BA102062	Circlip - piston pin	2
5	36BA4044	Kit cylinder liner piston assly	BB103372	Liner crankcase	1
			BB103322	Assembly piston comp	1
6	36BA4027	Kit piston pin gudgeon fl diesel	BA102061	Pin - piston	1
			BA102062	Circlip - piston pin	2
7	36BB0069	Kit-valve - diesel	BA102014	Valve inlet	1
			BB101090	Seal -valve stem	2
			BB103456	Valve exhaust	1
8	36AL0014	Lock fuel tank cap w/o key			
9	36BB0033	Lock battery with key Kit	BB201018	Lock battery	1
			24181020	Key set - 1000 combination	1
10	36BA4043	Kit slider block with pin	BA133057	Pin-hard chrome	2
			BA133064	Slider block with cross holes	8
11	36BA4035	Kit Buffer rubber( dura block)	36BA4036	Kit Grease	1
			BA133061	Clamp low profile	2
			BA133062	Rubber buffer-sbo 60 OZ	4
12	36BH0036	Kit Boot	BB133110	BOOT (K tek)	1
			BH551415	Boot Clamp Large	1
			BH551417	Boot Clamp Small	1
			BH551423	Grease	1
13	36BH0037	Kit Boot & retainer	BB133110	Boot (K tek)	1
			BH551415	Boot clamp large	1
			BH551417	Boot clamp small	1
			BH551423	Grease	1
			BH551413	Retainer Sheet	1
			Bh551414	Boot insert	1
14	36BH0008	Kit OBJ	BH551408	Obj tulip	1
			BH551415	Boot clamp large	1
			BH551417	Boot clamp small	1
			BH551423	Grease	1

BA - RE  
BH - MAXIMA Z  
BB - MAXIMA XWIDE  
AL - CARGO

**KIT LIST**



Sr. No.	Kit Part No.	Kit Description	Consisting of Following Parts		
			Part No.	Description	Qty./Kit
15	36BH0009	Kit OBJ	BB133077	Obj tulip	1
			BH551415	Boot clamp large	1
			BH551417	Boot clamp small	1
			BH551423	Grease	1
16	36BH0010	Kit OBJ & tripod	BH551408	Obj tulip	1
			BH551415	Boot clamp large	1
			BH551417	Boot clamp small	1
			BH551423	Grease	1
			BH551412	Finished roller	3
			BH551411	Tripod finished	1
			BH551410	Circlip	1
			BH551410	Circlip	1
17	36BH0011	Kit OBJ & tripod	BB133077	Obj tulip	1
			BH551415	Boot clamp large	1
			BH551417	Boot clamp small	1
			BH551423	Grease	1
			BH551412	Finished roller	3
			BH551411	Tripod finished	1
18	36BH0030	Kit IBJ	BH551426	Ibj tulip	1
			BH551415	Boot clamp large	1
			BH551417	Boot clamp small	1
			BH551423	Grease	1
19	36BH0031	Kit IBJ & tripod	BH551426	Ibj tulip	1
			BH551415	Boot clamp large	1
			BH551417	Boot clamp small	1
			BH551423	Grease	1
			BH551412	Finished roller	3
			BH551411	Tripod finished	1
20	36BH0039	Kit Barshaft LH	BH551418	Barshaft LH	1
			BH551410	Circlip	2
			BH551415	Boot clamp large	2
			BH551417	Boot clamp small	2
21	36AL0042	Kit Barshaft LH	BB133110	Boot	2
			AL133005	Bar Shaft Lh	1
			BH551410	Circlip	2
			BH551415	Boot Clamp Large	2
			BH551417	Boot Clamp Small	2
22	36BH0040	Kit Barshaft RH	BH551419	Barshaft RH	1
			BH551410	Circlip	2
			BH551415	Boot clamp large	2

BA - RE  
BH - MAXIMA Z  
BB - MAXIMA XWIDE  
AL - CARGO

**KIT LIST**



Sr. No.	Kit Part No.	Kit Description	Consisting of Following Parts		
			Part No.	Description	Qty./Kit
			BH551417	Boot clamp small	2
			BB133110	Boot	2
23	36AL0043	Kit Barshaft RH	AL133006	Bar Shaft Lh	1
			BH551410	Circlip	2
			BH551415	Boot Clamp Large	2
			BH551417	Boot Clamp Small	2
			BB133110	Boot Cv Shaft	2
24	36BH0019	Kit roller (3 nos)	BH551412	Finished Roller	3
25	36244069	Kit rear wh. bearing	59200012	Bearing - needle (sl 35 2	1
			1100342	Bearing - ball	1
			22171007	Seal - oil	1
			24171024	Seal - oil :- 48 dia.	1
			39118215	Nut	1
			24171066	Clip - spring	1
			BG141253	Rubber buffer	2
			BG141252	Rubber buffer	2
			36001052	Grease lethon rr3 -10gm	1
26	36BH0035	Kit rear wh. bearing	BF131723	Seal 41x60x7	1
			BF131722	Bearing 30x55x13	1
			59200012	Bearing - needle (sl 35 2	1
			22171007	Seal - oil	1
27	36BB0040	Kit rear wh. bearing	BB151034	Seal FL	1
			BB151031	Bearing hub FL	1
			KEBB6825	Circlip internal	1
			61031112	3 Ply duplex box 85 x 65	1
			61020032	Air bubble bag bubble siz	1
			71100495	MRP label 62.5x24mm hot s	1
28	36AA4144	BRAKE SHOE SPRING KIT Fr.- RE	24151138	Spring shoe clamping	1
			YAZ08018	Pivot pin - shoe	1
			YAZ08013	Shoe assembly brake - ask	2
29	36AZ0080	BRAKE SHOE KIT Fr.- Z	AL151201	Spring shoe clamping	2
			AL151202	Pin shoe pivot	2
			YAZ08014	Brake shoe assly leading z bs6	1
			YAZ08015	Brake shoe assly trailing fr z bs6	1
30	36AZ0076	BRAKE SHOE WITH HBL LH KIT-Z	AL151201	Spring shoe clamping	2
			AL151202	Pin shoe pivot	2
			YAZ08014	Brake shoe assly leading z bs6	1
			YAZ08016	Brake shoe assly trail. Rr lh z	1
31	36AZ0078	BRAKE SHOE WITH HBL RH KIT-Z	AL151201	Spring shoe clamping	2
			AL151202	Pin shoe pivot	2
			YAZ08014	Brake shoe assly leading z bs6	1
			YAZ08017	Brake shoe assly trail. Rr rh z	1

BA - RE  
BH - MAXIMA Z  
BB - MAXIMA XWIDE  
AL - CARGO

**KIT LIST**



Sr. No.	Kit Part No.	Kit Description	Consisting of Following Parts		
			Part No.	Description	Qty./Kit
32	36AA4145	Brake shoe clamp spring kit	24151138	Spring shoe clamping	2
			YAZ08018	Pivot pin - shoe	2
33	36AH0004	Spring kit RH	YAZ08021	Shoe return spring low. Z bs6	1
			YAZ08022	Main spring brake shoe z bs6	1
			AL151198	Spring strut holding rh	1
34	36AH0003	Spring kit FR/LH	YAZ08021	Shoe return spring low. Z bs6	1
			YAZ08022	Main spring brake shoe z bs6	1
			AL151197	Spring strut holding lh	1
35	36AA4143	Wheel cylinder major kit RE FR	AB151052	Bleeder screw cap	1
			AB151079	Bleeder screw	1
			24151106	Protection boot	2
			24151105	Rebound spring	1
			24151116	Piston lip seal	2
			24151166	Slotted piston	2
36	36AH0011	Wheel cylinder minor KIT Z	24151106	Protection cap	2
			24151105	Rebound spring	1
			24151116	Piston lip seal	2
37	36BA4015	Wheel cylinder mtg kit fr.- RE			
38	36AH0010	Wheel cylinder mtg kit -Fr.-Z	YAZ08023	Allen bolt, wh/cyl mtg z	2
			YAZ08025	Hose guide bracket z bs6	1
39	36BA4014	Wheel cylinder mtg kit rr	AL151054	W/cyl mounting screw	2
			BF131905	Spring washer	2
40	36AL0033	Back plate assly FR-AL151239	AL151239	Back Plate Assly Front Cargo	1
41	36AL0038	Back platel assly RH-BB151262	-----	Back Plate Assly Re Lh Cargo	1
42	36AL0040	Back plate assly. LH BB151261	-----	Back Plate Assly Re Rh Cargo	1
43	36AL0050	Front brake shoe kit maxima	AL151240	Assembly brake shoe leading	1
			AL151241	Assembly brake shoe trailing	1
			AL151202	Pin shoe pivot	2
			AL151201	Spring shoe clamping	2
44	36AL0051	Rear rh brake shoe kit maxima	AL151240	Assembly brake shoe leading	1
			AL151260	Shoe assy trailing w hbl RH	1
			AL151202	Pin shoe pivot	2
			AL151201	Spring shoe clamping	2
45	36AL0052	Rear lh brake shoe kit maxima	AL151240	Assembly brake shoe leading	1
			AL151259	Shoe assy trailing w hbl LH	1
			AL151202	Pin shoe pivot	2
			AL151201	Spring shoe clamping	2
46	36AL0030	Wheel cylinder major kit	Ab 151052	Bleeder Screw Cap	1
			Ab 151079	Bleeder Screw	1
			-----	Protection Boot	2
			24151104	Piston Lip Seal	2
			24151105	Rebonding Spring	1

BA - RE  
BH - MAXIMA Z  
BB - MAXIMA XWIDE  
AL - CARGO

### KIT LIST



Sr. No.	Kit Part No.	Kit Description	Consisting of Following Parts		
			Part No.	Description	Qty./Kit
			24151165	Slotted Piston Rear	2
47	36AL0029	Wheel cylinder minor kit	-----	Protection Boot	2
			24151105	Rebonding Spring	1
			24151104	Piston Lip Seal	2
48	36BH0052	Bearing race kit upper Z & Comp.	36JL0181	Limaplex grease 10gm pouch	1
			BH151092	Race inner upper	1
			BH151093	Cage - ball	1
			BH151094	Cover bearing upper	1
			BH151095	Race outer upper	1
49	36AL0022	Kit steering cone upper Maxima	24181047	Nut lock ring	2
			AB181020	Washer - spacer :- top be	1
			AL181009	Balls with cage - upper	1
			24181046	Race upper bearing	1
			24161443	Cover dust top	1
			36001052	Grease lethon RR3 -10GM	1
			AB181019	Bearing race - upper :- O	1
50	36BH0053	Bearing race kit lower Z & Comp.	36JL0181	Limaplex grease 10gm pouch	
			AB181012	CAGE ASSEMBLY LOWER	1
			BH151009	SPACER FORK FRONT FL	1
			BH151096	RACE OUTER LOWER	1
			BH151097	RACE INNER LOWER	1
51	36AL0005	Kit lower steering cone lower Maxima	AL181005	Cover - dust :- top	1
			AL181006	Cover - dust :- bottom	1
			AL181007	Balls with cage	1
			AL181004	Bearing race - lower :- I	1
			AL181003	Bearing race - lower :- O	1
			36001052	Grease lethon RR3 -10GM	1
			BB181010	Spacer fork front RE445L	1
52	36BA4013	Ignition switch w/o starter-BA201173	BA201173	Ignition switch w/o starter	1
			24181020	Key set 1000 combination	1
53	36AL0015	Glove box lock with key kit	AL161171	Lock glove box lid	1
			24181020	Key set 1000 combination	1
54	36AL0016	Stero box lock with key kit	AL161182	Stopper stero lid lock	1
			24181020	Key set 1000 combination	1
55	36BA4013	Ignition switch w/o starter with key	BA201173	Ignition switch w/o starter	
			24181020	Key set 1000 combination	1
56	36244042	Lock assly steering with key kit	24181020	Key set - 1000 Combination	1
			24181016	Lock - steering :- 1000 Combinations	1
57	36BB0029	Lock assly steering with key kit	AL181013	Lock asy-steering:1000	1
			24181020	Key set - 1000 combination	1
58	36244024	Lock for rear door- kit no	24230197	Lock for door	1
			24181020	Key set - 1000 combination	1

BA - RE  
BH - MAXIMA Z  
BB - MAXIMA XWIDE  
AL - CARGO

### KIT LIST



Sr. No.	Kit Part No.	Kit Description	Consisting of Following Parts		
			Part No.	Description	Qty./Kit
59	36244044	Lock fuel filling door with key	24181020	Key set - 1000 combination	1
			24181144	Lock for fuel filling cover	1
60	36AZ0051	Door fuel filling lock with key			
61	36AL0055	Lock RH for door with key	AL181043	Lock rh for door without key	1
			24181020	Key set 1000 combination	1
62	36AL0054	Lock LH for door with key	AL181042	Lock lh for door without key	1
			24181020	Key set 1000 combination	1
63	24151172	Shoe clamp spring kit	24151138	Spring shoe clamping	2
			24151137	Pin pivot shoe	2
64	24151182	Spring kit RH	24151133	Main spring	3
			24151153	Spring strut holding RH	1
			24151135	Spring shoe holding	1
65	24151173	Spring kit FR/LH			
66	24151170	Ratchet kit for fr & LH	24151130	Plate ratchet	1
			24151139	Pin ratchet	1
			24151132	Spring strut LH	1
67	24151181	Ratchet kit RH	24151130	Plate ratchet	1
			24151139	Pin ratchet	1
			24151152	Spring strut RH	1
68	24151177	Kit parking lever LH	24151147	Pin split - HBL	1
			24151146	Pin pivot-park lever	1
			24151148	Washer- plain park lever	1
			BH131813	Lever parking brake LH	1
69	24151183	Kit parking lever RH	24151147	Pin split - HBL	1
			24151146	Pin pivot-park lever	1
			24151148	Washer- plain park lever	1
			BH131814	Lever parking brake RH	1
70	24151164	Cylinder assembly wheel rear RE			
71	24151113	Wheel cylinder major kit RE RR	AB151052	Bleeder screw cap	1
			AB151079	Bleeder screw	1
			24151106	Protection boot	2
			24151105	Rebound spring	1
			24151116	Piston lip seal	2
			24151166	Slotted piston	2
72	24151114	Wheel cylinder minor kit rr	24151105	Rebound spring	1
			24151116	Piston lip seal	2
73		Major Kit		Same as Old	
74		Minor Kit		Same as Old	

BA - RE  
BH - MAXIMA Z  
BB - MAXIMA XWIDE  
AL - CARGO

Part No.	Page No.	Figure No.

Part No.	Page No.	Figure No.

BA - RE  
BH - MAXIMA Z  
BB - MAXIMA XWIDE  
AL - CARGO

Part No.	Page No.	Figure No.

Part No.	Page No.	Figure No.

BA - RE  
BH - MAXIMA Z  
BB - MAXIMA XWIDE  
AL - CARGO

Part No.	Page No.	Figure No.

Part No.	Page No.	Figure No.

BA - RE  
 BH - MAXIMA Z  
 BB - MAXIMA XWIDE  
 AL - CARGO

Part No.	Page No.	Figure No.

Part No.	Page No.	Figure No.

BA - RE  
 BH - MAXIMA Z  
 BB - MAXIMA XWIDE  
 AL - CARGO

---

***DIESEL*** **BS6** 